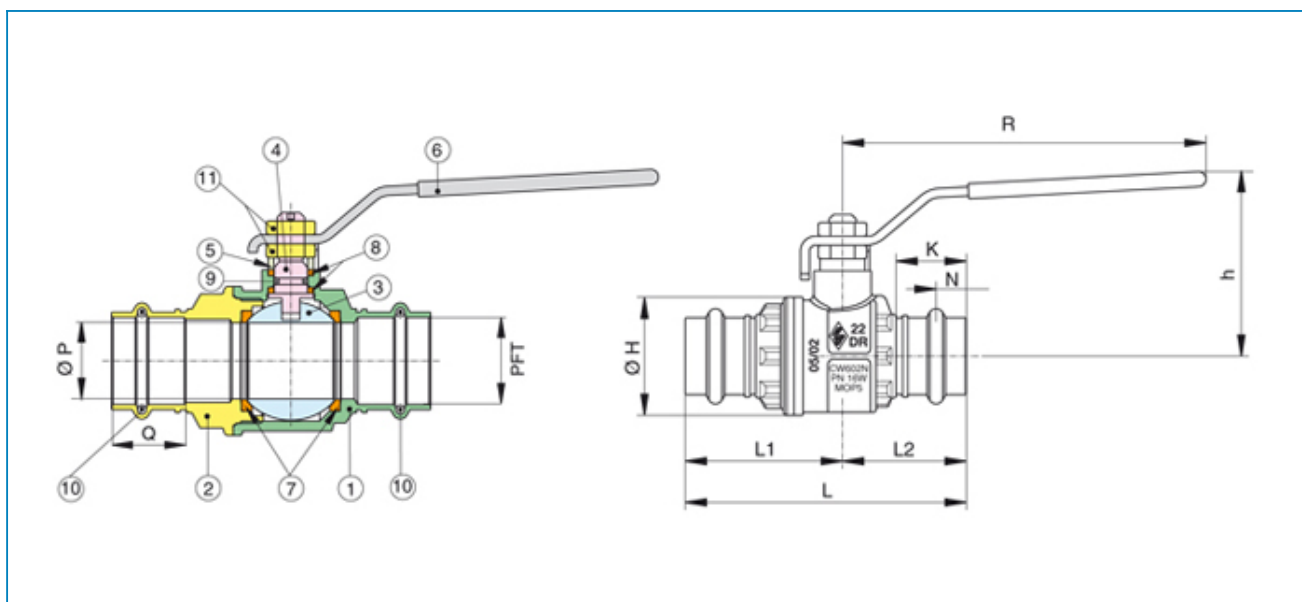


Serie **FOR WATER SERVICE**

Articolo **1970**

Full port ball valve with EURO-PRESS connections from 1/2" - 2", steel handle, yellow grip.

- Test pressure rating 600 CWP-working pressure 200 PSI.
- Temperature to 250° F. - Blow out proof stem, chrome plated brass ball.
- P.T.F.E. seats, seals, and thrust washer.
- We recommend the valve use in fully open or closed, not in mid position, and to maneuver the valve at least twice a year.
- Adjustable stem packing.
- 100% electronically tested in the open and closed position at 80 psi.
- Made in Dezincification Resistant brass (DZR).



N Pos	PART NAME	MATERIAL	N PCS
1	BODY	DZR BRASS CW 602N	1
2	END CONNECTION	DZR BRASS CW 602N	1
3	BALL	BRASS CW 617N	1
4	STEM	BRASS CW 611N	1
5	PACKING GLAND	BRASS CW 611N	1
6	HANDLE	Fe DD11 UNI EN 10111	1
7	BALL SEAT	P.T.F.E.	2
8	STEM SEAL/THRUST WASHER	P.T.F.E.	2
9	O-RING	NBR	1
10	O-RING	EPDM	2
11	NUT	STEEL CL 04	2

PFT	ØP	Q	K	N	ØH	L	L1	L2	h	R	CV	psi MAX. WORK PRESS	psi MAX. TEST PRESS	Lbs
1/2"	0.59	0.71	0.67	0.31	1.30	3.13	1.71	1.42	1.89	3.86	18.84	200	600	0.49
3/4"	0.79	0.91	0.83	0.39	1.54	3.66	2.05	1.61	2.28	4.80	34.10	200	600	0.82
1"	0.98	0.94	0.83	0.39	1.93	4.13	2.32	1.81	2.44	4.80	49.71	200	600	1.25
1"1/4	1.26	1.02	0.83	0.39	2.32	4.41	2.44	1.97	3.07	6.02	102.88	200	600	1.98
1"1/2	1.57	1.42	1.02	0.49	2.87	5.63	2.91	2.72	3.35	6.02	265.88	200	600	3.40
2"	1.95	1.57	1.20	0.59	3.39	6.52	3.41	3.11	3.80	6.38	306.34	200	600	4.50

