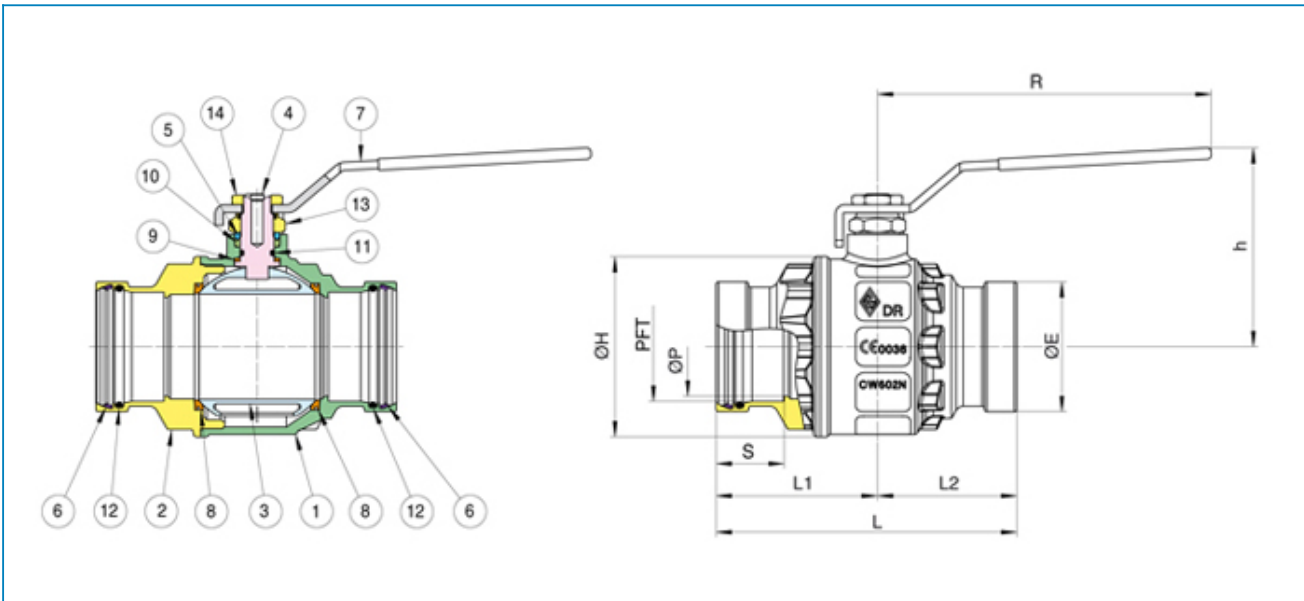




**Serie FOR WATER SERVICE**

**Articolo 1970XLC**

- Full port ball valve with EURO-PRESS connections from 2" 1/2"- 4", steel handle, yellow grip.
- Test pressure rating 300 PSI up to 3" and 200 PSI for the 4".
  - Temperature to 250° F.
  - Blow out proof stem, chrome plated brass ball.
  - P.T.F.E. seats, seals, and thrust washer.
  - We recommend the valve use in fully open or closed, not in mid position, and to maneuver the valve at least twice a year.
  - Adjustable stem packing.
  - 100% electronically tested in the open and closed position at 80 psi.
  - Made in Dezincification Resistant brass (DZR).



N Pos	PART NAME	MATERIAL	N PCS
1	BODY	DZR BRASS CW 602N	1
2	END CONNECTION	DZR BRASS CW 602N	1
3	BALL	BRASS CB 763-S	1
4	STEM	BRASS CW 614N	1
5	PACKING GLAND	BRASS CW 614N	1
6	CIRCLIC	STEEL	2
7	HANDLE	Fe DD11 UNI EN 10111	1
8	BALL SEAT	P.T.F.E.	2
9	STEM SEAL/THRUST WASHER	P.T.F.E.	1
10	STEM SEAL	P.T.F.E.	1
11	O-RING	NBR	1
12	O-RING	EPDM	2
13	NUT	STEEL CL 04	1
14	NUT	STEEL CL 04	1

PFT	ØP	S	ØH	ØE	L	L1	L2	h	R	CV	psi MAX. WORK PRESS	psi MAX. TEST PRESS	Lbs
2" 1/2	2.40	1.65	4.37	3.15	730	3.94	3.39	5.08	8.07	624.24	200	300	9.04
3"	2.87	1.91	5.35	3.66	8.60	4.63	4.00	5.51	8.07	100.19	200	300	14.55
4"	3.82	2.42	6.54	4.69	10.26	5.30	4.98	6.30	10.24	1606.84	200	200	22.49