

NEW



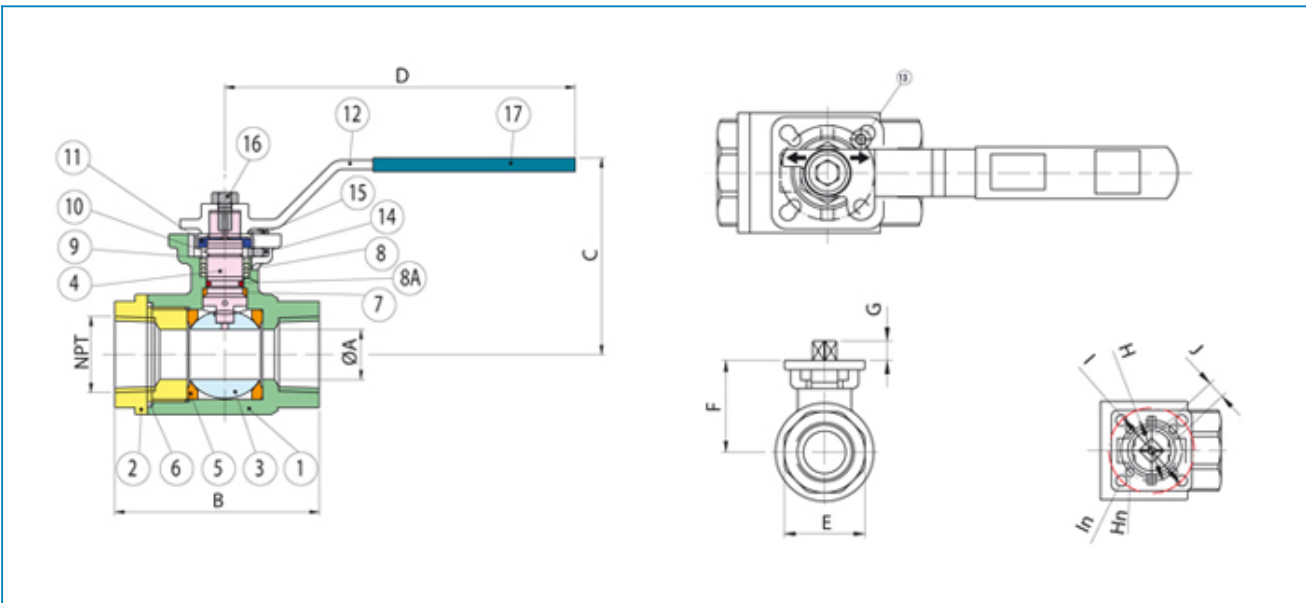
Serie 2 PC CARBON STEEL BALL VALVE

Articolo 3000 CARBON STEEL - 3100 STAINLESS STEEL

BONOMI NORTH AMERICA

Direct Mount 2-Way 2-Piece ball valve.

- Full port sizes 1/4" to 1"1/2, 2" reduced port.
- Pressure rating 3000 psi (100°F).
- Temperature -20°F to 185°F.
- Blow out proof stem/anti-static design.
- ISO 5211 mounting pad.
- Viton stem O-ring/HNBR optional.
- Nace MR-0175.
- Tested to 4500 PSI.



N POS	PART NAME	MATERIAL	N PCS
1	BODY	CF8M/WCB	1
2	END CAP	CF8M/WCB	1
3	BALL	CF8M	1
4	ANTI-STATIC STEM	SS316	1
5	BALL SEAT	DELTRIN	2
6	BODY SEAL	P.T.F.E	1
7	THRUST WASHER	P.T.F.E	1
8	STEM PACKING	P.T.F.E	1
8a	O-RING	VITON	1
9	THRUST WASHER	50%SS - 50% P.T.F.E	1
10	STEM NUT	SS304	1
11	LOCK SADDLE	SS304	1
12	HANDLE	SS304	1
13	STOP BOLT	SS304	1
14	STOP NUT	SS304	1
15	STOP WASHER	SS304	1
16	HANDLE BOLD	SS304	1
17	HANDLE SLEEVE	VINYL	1

SIZE	ØA	B	C	D	E	F	G	H	Hn	I	In	J	Cv	in/Lbs	Lbs
1/4"	0.38	2.95	2.31	6.30	1.02	1.61	0.31	F03 1.42"	0.22	F04 1.65"	0.22	0.35	5.3	101	1.4
3/8"	0.38	2.95	2.31	6.30	1.02	1.61	0.31	F03 1.42"	0.22	F04 1.65"	0.22	0.35	8	104	1.4

1/2"	0.50	2.95	2.31	6.30	1.28	1.61	0.31	F03 1.42"	0.22	F04 1.65"	0.22	0.35	19	130	1.5
3/4"	0.69	3.19	2.60	6.30	1.51	1.72	0.31	F03 1.42"	0.22	F04 1.65"	0.22	0.35	35	156	2.0
1"	0.87	3.58	3.02	6.30	1.86	2.11	0.39	F04 1.65"	0.28	F05 1.97"	0.24	0.43	50	208	3.1
1"1/4	1.14	4.33	3.19	6.30	2.32	2.32	0.39	F04 1.65"	0.28	F05 1.97"	0.24	0.43	110	390	4.8
1"1/2	1.37	4.76	3.84	8.27	2.96	2.96	0.51	F05 1.97"	0.36	F07 2.76"	0.28	0.55	180	468	8.1
2"	1.37	5.71	4.14	8.27	2.96	2.96	0.51	F05 1.97"	0.36	F07 2.76"	0.28	0.55	210	468	10.5