



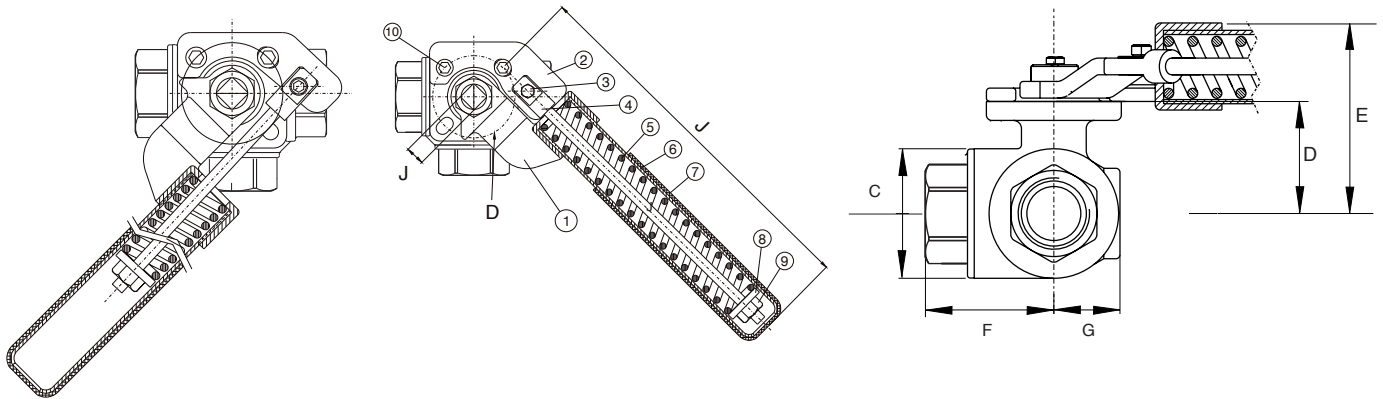
SERIES 355NSRL (T)-365NSRL (L) DEADMAN SPRING RETURN

3 way brass ball valve, FNPT, threaded standard port, with deadman spring return handle, from 1/4" to 2".

- Pressure rating 400 WOG-100 WSP.
- Temperature range -4° F to +366 °F.
- Blow out proof stem, chrome plated brass ball.
- P.T.F.E seats with O-ring backing for low operating torque.
- P.T.F.E seats and double O-ring stem packing.
- 100% electronically tested in the open and closed position at 80 psi.
- Not to be used for drinking water.
- Four seat design for sealing between pressurized ports.
- ANSI B1.20.1 connections.

OPEN CONDITION

CLOSE CONDITION

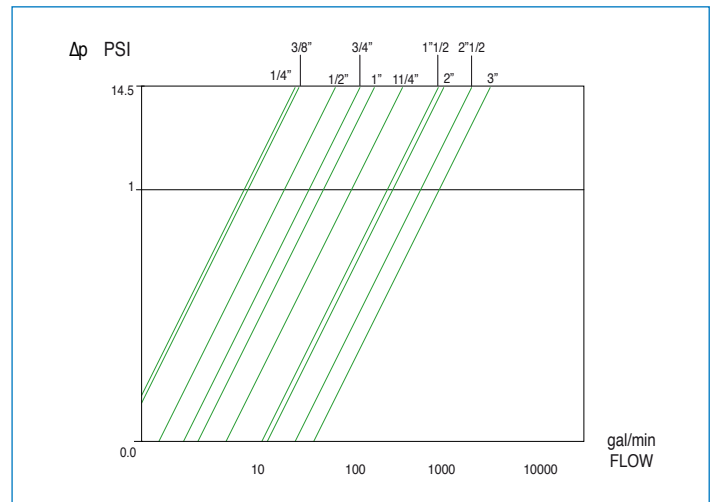
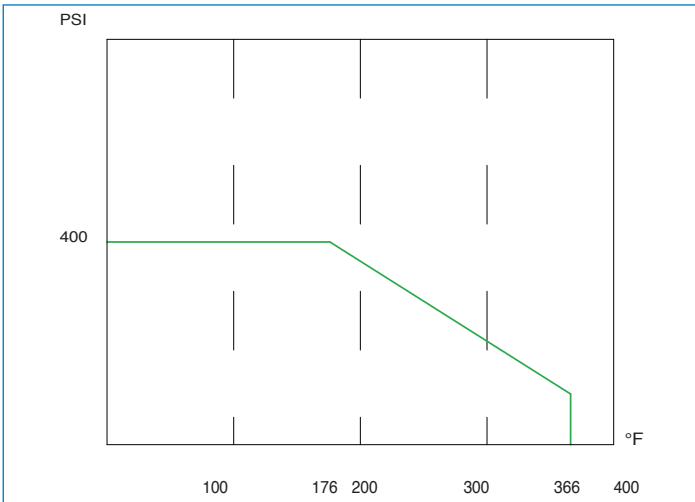


N POS	PART NAME	MATERIAL
1	HANDLE HEAD	ASTM A351 - CF8M
2	ANCHOR	ASTM A351 - CF8M
3	ANCHOR SCREW	STAINLESS STEEL 316
4	SPRING ROD	STAINLESS STEEL 316
5	SPRING	STAINLESS STEEL 301
6	HANDLE EXTENSION	STAINLESS STEEL 304
7	SLEEVE	VINYL
8	WASHER	STAINLESS STEEL 304
9	HEX NUT	STAINLESS STEEL 304
10	SOCKET HEAD SCREW	STAINLESS STEEL 304

SIZE	L	J mm	D ISO 5211	HANDLE TORQUE In-Lbs	E	D	C	F	G
1/4"	6.70	9	F03	132	1.70	1.20	1.34	1.32	0.77
3/8"	6.70	9	F03	132	1.70	1.20	1.34	1.32	0.77
1/2"	6.70	9	F03	132	1.70	1.20	1.34	1.44	0.77
3/4"	6.70	9	F03	132	1.79	1.29	1.53	1.60	0.87
1"	6.70	9	F03	132	2.79	1.63	1.89	1.87	1.00
1 1/4"	6.70	9	F03	132	2.93	1.85	2.36	2.20	1.22
1 1/2"	8.65	11	F05	195	3.52	2.34	2.83	2.43	1.79
2"	8.65	11	F05	195	3.82	2.90	3.38	2.87	1.75

WARNING: This product can expose you to chemicals including lead, which is known to the State of California to cause cancer and birth defects or other reproductive harm. For more information go to www.p65warnings.ca.gov.





FLOW PATH VARIATIONS

	355N				365N		
	A	B	C	D	A	B	C
Lever Assembly							
Position 1							
Position 2							
Note	To achieve other flow paths, simply remove the handle and reorient the valve stem to the desired flow path. Refer to the markings on top of the ball valve stem for proper position. When finished, re-attach the handle.						