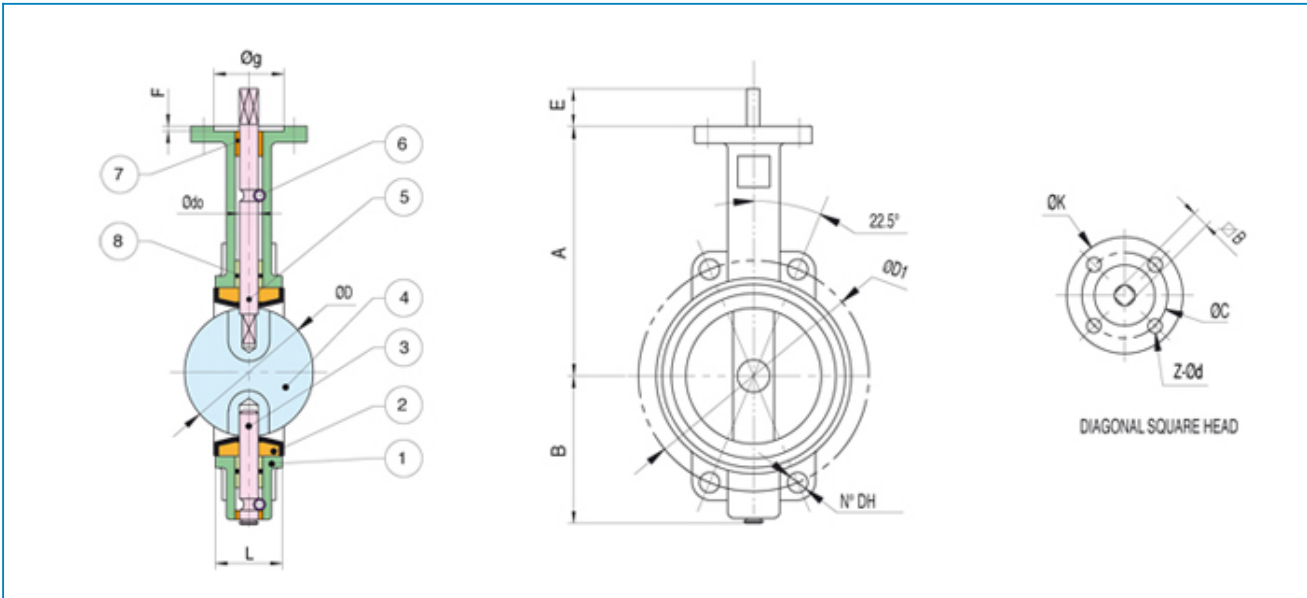




Serie **BUTTERFLY**
 Articolo **500S CF8M SS DISC**

BONOMI NORTH AMERICA

- Direct Mount Cartridge-Style ANSI 150 Butterfly valves.
- Epoxy coated cast iron wafer body.
 - Full port sizes 1 1/2" to 12".
 - ISO 5211 direct mounting flange.
 - EPDM resilient seat -30 to 250 F.
 - API609 Face to face flange.
 - Floating dual shaft disc design.
 - MSS SP 67 Compliant.
 - No pins in disc prevent potential leak points.



N POS	PART NAME	MATERIAL	NPCS
1	BODY	CAST IRON A126 Gr. B	1
2	SEAT	EPDM (-30 to 250F)	1
3	LOWER SHAFT	SS 416	1
4	DISC 500N DISC 500S	NYLON-11 DI CF8M SS	1
5	UPPER SHAFT	SS 416	1
6	LOCATING PIN	CARBON STEEL	1
7	BUSHING	P.T.F.E.	1
8	O-RING	EPDM	1

SIZE	ØC ISO	B	A	B	L	ØD	E	UPPER FLANGE					DISC	WAFER	WT.	SEAT TORQUE		CV (GPM@ 1PSI)	
								Ødo	ØK	z-Ød	Øg	F				ØD1	N°-DH	Lbs	100 psi
1"1/2	F05	9 mm	5.71	2.97	1.61	1.67	0.47	0.50	3.03	4-0.28	1.38	0.12	4.74	4-0.75	5.0	111	133	35	108
2"	F05	9 mm	6.34	3.15	1.65	2.07	0.47	0.50	3.03	4-0.28	1.38	0.12	4.74	4-0.75	5.5	126	146	45	135
2"1/2	F05	9 mm	6.89	3.50	1.76	2.54	0.47	0.50	3.03	4-0.28	1.38	0.12	5.49	4-0.75	7.1	134	167	65	220
3"	F05	9 mm	7.13	3.74	1.78	3.10	0.47	0.50	3.03	4-0.28	1.38	0.12	6.00	4-0.75	8.4	205	223	70	300
4"	F07	11 mm	7.87	4.49	2.05	4.09	0.63	0.62	3.54	4-0.35	2.17	0.12	7.50	4-0.75	10.8	339	386	140	605
5"	F07	14 mm	8.34	5.00	2.14	4.85	0.75	0.75	3.54	4-0.35	2.17	0.12	8.50	4-0.87	15.4	523	602	235	1010
6"	F07	14 mm	8.90	5.47	2.20	6.13	0.75	0.75	3.54	4-0.35	2.17	0.12	9.50	4-0.87	17.2	677	996	360	1620
8"	F10	17	10.24	6.89	2.34	7.97	0.75	0.87	4.92	4-0.47	2.76	0.14	11.75	4-0.87	29.1	1205	1864	715	3205

10"	F10	22 mm	11.50	7.99	2.58	9.86	0.94	1.12	4.92	4-0.47	2.76	1.40	14.25	4-1.00	42.2	1890	3140	1225	5305
12"	F10	22 mm	13.27	9.53	3.03	11.87	0.94	1.24	5.51	4-0.47	2.76	1.40	17.00	4-1.00	71.5	2808	4767	1900	8250