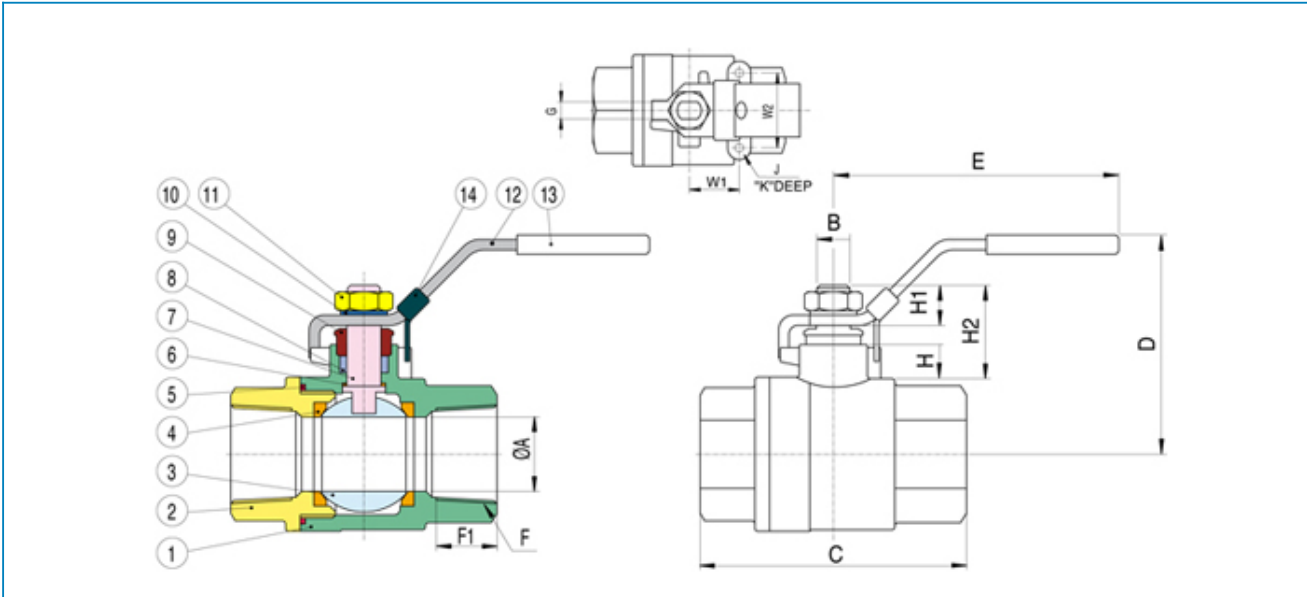


**Serie 2 PC CARBON STEEL BALL VALVE**

**Articolo 600 LL WITH LOCKING HANDLE**

**BONOMI NORTH AMERICA**

- 2 pc carbon steel ball valve.
- Threaded FNPT.
  - Full port sizes 1/4" to 2".
  - Self adjusting stem packing.
  - Blow-out proof stem design.
  - 100% air tested under water at 80 psi.
  - Working pressure is 2000 psi (1/4" to 1"), 1500 psi (1 1/4" to 2").
  - Temperature range -30° F. to 450° F. - 150WSP.



N POS	PART NAME	MATERIAL	N PCS
1	BODY	WCB	1
2	END CAP	WCB	1
3	BALL	AISI 316	1
4	SEAT	R.T.F.E.	2
5	JOINT GASKET	P.T.F.E.	1
6	THRUST WASHER	P.T.F.E.	1
7	STEM	AISI 316	1
8	V RING PACKING	P.T.F.E.	1
9	GLAND BUSH	STEEL	1
10	STEM WASHER	STEEL	1
11	STEM NUT	STEEL	1
12	HANDLE	STEEL	1
13	HANDLE SLEEVE	VINYL	1
14	LOCKING DEVICE	SS304	1

SIZE	ØA	B	C	D	E	F1	J	K	G	H	H1	H2	W1	W2	CV	Lbs
1/4"	0.45	0.31	2.16	1.96	3.93	0.59	10-24UNC	0.23	0.019	0.31	0.38	0.87	0.50	1.12	8	0.51
3/8"	0.49	0.31	2.16	1.96	3.93	0.59	10-24UNC	0.23	0.19	0.31	0.38	0.87	0.50	1.12	10	0.51
1/2"	0.59	0.37	2.55	2.36	5.11	0.62	10-24UNC	0.19	0.25	0.41	0.43	1.00	0.50	1.12	15	0.83
3/4"	0.78	0.37	2.93	2.51	5.11	0.66	10-24UNC	0.27	0.25	0.41	0.43	1.00	0.88	1.37	34	1.14
1"	0.98	0.43	3.46	2.79	6.49	0.94	10-24UNC	0.27	0.31	0.45	0.53	1.24	0.92	1.37	56	2.02
1 1/4"	1.25	0.43	4.01	3.07	6.49	0.86	1/4-20UNC	0.27	0.31	0.45	0.53	1.24	1.00	1.50	85	2.70
1 1/2"	1.49	0.55	4.33	3.38	7.48	0.88	1/4-20UNC	0.27	0.38	0.47	0.61	1.38	1.00	1.50	125	4.18
2"	1.96	0.55	4.92	3.74	7.48	1.02	1/4-20UNC	0.27	0.38	0.37	0.61	1.02	1.00	1.50	250	6.86