



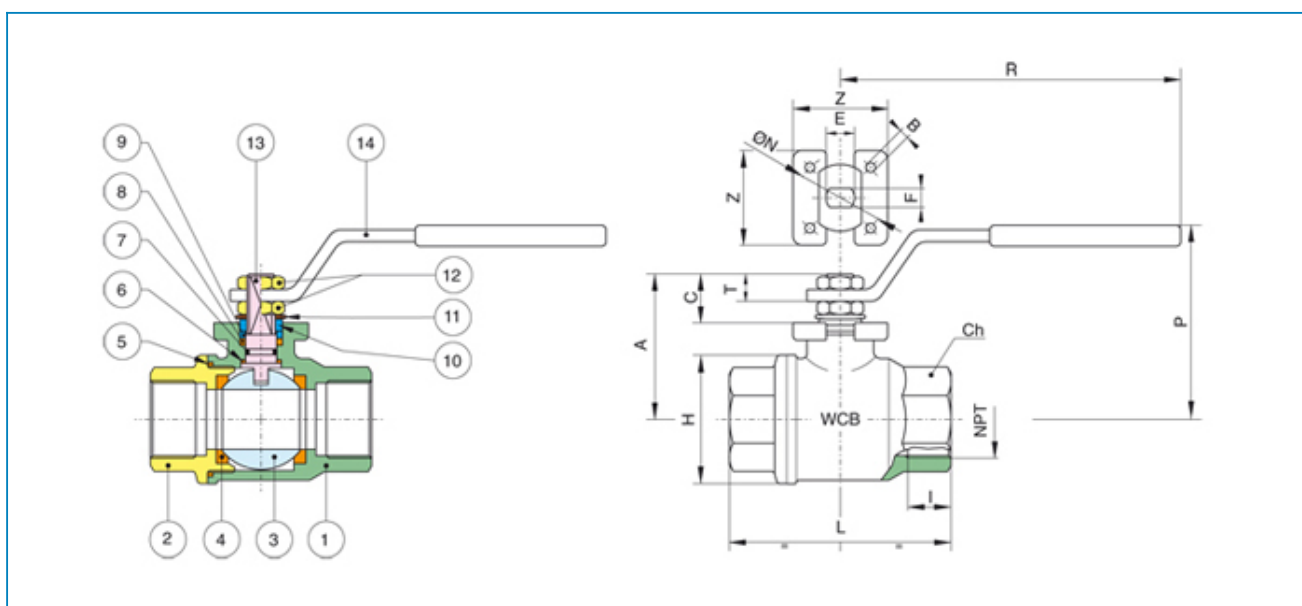
Serie 2 PC CARBON STEEL BALL VALVE

Articolo 700056

- 2 pc carbon steel A105 ball valve, stainless steel ball and stem.
- Full port sizes 1/4" to 2".
- Pressure rating 1000 psi WOG - 150 psi steam.
- Temperature to 366°F.
- Blow out proof stem, adjustable stem packing.
- P.T.F.E. seats, packing and thrust washer.
- 100% electronically tested in the open and closed position at 80 psi.
- TUV T.A.Luft approved.

AVAILABLE FIRE SAFE APPROVED WITH ANTISTATIC STEM AND P.T.F.E.+CARBON SEATS (Art. 700077)

COMPLIES WITH NACE MR 0175, NACE MR 0103 AND ISO 15156



N POS	PART NAME	MATERIAL	N PCS
1	BODY	ASTM A105	1
2	END CONNECTION	ASTM A105	1
3	BALL	AISI 304 - CF8	1
4	BALL SEAT	P.T.F.E.	2
5	SEAT	P.T.F.E.	1
6	THRUST WASHER	P.T.F.E.	1
7	O-RING	FKM (Viton®)	1
8	STEM SEAT	P.T.F.E.	1
9	PACKING GLAND	STEEL	1
10	END STOP	AISI 430	2
11	NUT	STEEL	2
12	STEM	AISI 304	1
13	HANDLE	STEEL	1

SIZE	I	L	H	CH	R	P	A	C	E	F	ØN	B	Z	T	CV	psi	Lbs
1/4"	0.43	2.59	1.41	1.06	4.29	2.00	1.47	0.53	0.31	0.19	-	-	-	0.35	6.26	1000	0.57
3/8"	0.44	2.59	1.41	1.06	4.29	2.00	1.47	0.53	0.31	0.19	-	-	-	0.35	6.96	1000	0.53
1/2"	0.59	2.59	1.41	1.06	4.29	2.00	1.47	0.53	0.31	0.19	-	-	-	0.35	18.90	1000	0.32
3/4"	0.64	2.99	1.69	1.25	5.17	2.61	1.94	0.59	0.39	0.27	-	-	-	0.39	34.22	1000	0.54
1"	0.75	3.54	2.00	1.61	6.87	3.09	2.34	0.76	0.47	0.31	-	-	-	0.49	49.88	1000	0.99
1 1/4"	0.82	3.85	2.51	1.96	6.87	3.24	2.48	0.76	0.47	0.31	1.65	0.21	1.65	0.49	103.24	1000	1.34
1 1/2"	0.84	4.33	3.03	2.16	9.86	3.89	3.07	0.94	0.62	0.39	1.96	0.25	1.96	0.64	266.80	1000	2.14

