

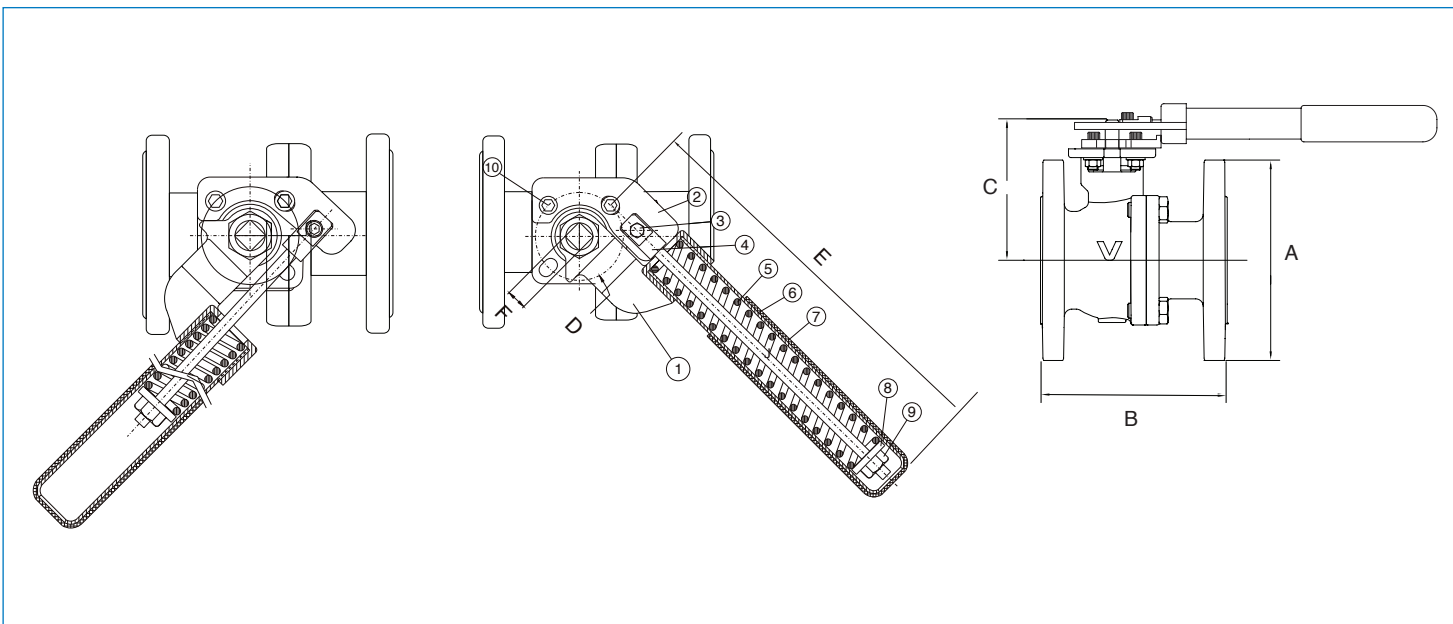


SERIES 766000 SRL DEADMAN SPRING RETURN

Deadman spring lever, Split body style, ANSI 150 class flanged raised face stainless steel ball valve.

- Full Port Sizes 1" to 3".
- ISO 5211 mounting pad and stem.
- Blowout proof stem.
- Standard grounded ball & stem.
- Certified to API 607, 6th edition, and API 6FA.
- Designed to ANSI 16.5, 16.10, 16.34
- TUV T.A. luft approved.
- NACE MR 0175.

NEW



N POS	HANDLE COMPONENTS	MATERIAL
1	HANDLE HEAD	ASTM A351 - CF8M
2	ANCHOR	ASTM A351 - CF8M
3	ANCHOR SCREW	STAINLESS STEEL 316
4	SPRING ROD	STAINLESS STEEL 316
5	SPRING	STAINLESS STEEL 301
6	HANDLE EXTENSION	STAINLESS STEEL 304
7	SLEEVE	VINYL
8	WASHER	STAINLESS STEEL 304
9	HEX NUT	STAINLESS STEEL 304
10	SOCKET HEAD SCREW	STAINLESS STEEL 304

SIZE	A	B	C	D ISO 5211	E	F (mm)	HANDLE TORQUE (in-Lbs)
1"	4.33	5.00	2.72	F03	8.75	9	132
1 1/2"	5.12	6.50	3.70	F05	11.50	11	195
2"	5.91	7.01	4.06	F05	11.50	11	195
3"	7.48	7.99	5.41	F07	17.72	14	487

Valve materials and size: see Table page 82; Series 766000