



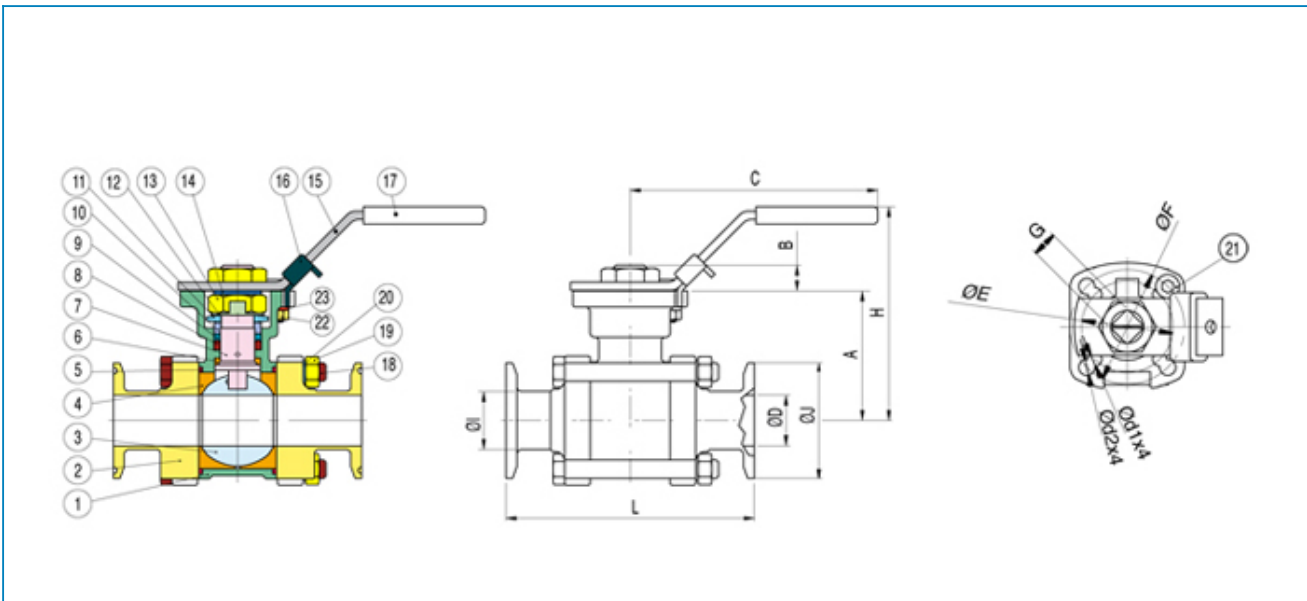
Serie **SANITARY BALL VALVE**

Articolo **771 CAVITY FILLED**

**BONOMI NORTH AMERICA**

Stainless steel ball valve, high performance 3 piece sanitary ball valves; full port sizes.

- Blow-out proof stem.
- ISO 5211 direct mount pad.
- Working pressure 1000 psi WOG ( 1/2" to 2") 800 psi WOG (2 1/2 o 4").
- Temperature range -60° F to 450° F.
- Anti-Static.
- International polishing to Ra 15 tri-clamp style end connections.
- Ball valves comply with standards: ISO 5211, ANSI B 16.11, MSS SP-25, MSS SP-55.
- Maintenance free live loaded double sealing stem.



N POS	PART NAME	MATERIAL	N PCS
1	BODY	CF3M	1
2	END CONNECTION	CF3M	2
3	BALL	SS316L	1
4	SEATS	P.T.F.E	2
5	JOINT GASKET	P.T.F.E	2
6	STEM SEAL	R.T.F.E	1
7	STEM	SS316L	1
8	GLAND PACKING	P.T.F.E	2
9	GLAND PACKING	P.T.F.E+GLASS	1
10	GLAND BUSH	SS304	1
11	BELLEVILLE WASHER	SS301	2
12	STOP WASHER	SS304	1
13	STEM NUT	SS304	2
14	STEM WASHER	SS304	1
15	HANDLE	SS304	1
16	LOCKING DEVICE	SS304	1
17	HANDLE SLEEVE	VINYL	1
18	BOLT	SS304	4
19	BOLT NUT	SS304	4
20	BOLT WASHER	SS304	4
21	STOP PIN	SS304	1
22	PIN NUT	SS304	1
23	WASHER	SS304	1

SIZE	ØD	ØI	ØJ	A	B	C	ØE	ØF	G	L	H	Ød1	Ød2	psi	ISO5211	Lbs
------	----	----	----	---	---	---	----	----	---	---	---	-----	-----	-----	---------	-----

1/2"	0.37	0.50	0.99	1.65	0.25	5.47	1.41	1.65	0.35	3.50	3.03	0.23	0.23	1000	F03/F04	1.67
3/4"	0.62	0.74	0.99	1.88	0.27	5.47	1.41	1.65	0.35	4.00	3.26	0.23	0.23	1000	F03/F04	1.91
1"	0.87	1.00	1.98	2.22	0.44	6.49	1.65	1.96	0.43	4.50	3.77	0.23	0.27	1000	F04/F05	3.17
1"1/2	1.37	1.5	1.98	3.05	0.55	8.46	1.96	2.75	0.55	5.51	5.00	0.29	0.35	1000	F05/F07	7.24
2"	1.87	2.00	2.51	3.35	0.55	8.46	1.96	2.75	0.55	6.25	5.27	0.29	0.35	1000	F05/F07	10.10
2"1/2	2.37	2.50	3.04	4.27	0.67	11.81	2.75	4.01	0.66	6.85	6.57	0.39	0.47	800	F05/F07	21.80
3"	2.87	3.00	3.57	4.63	0.71	14.56	2.75	4.01	0.66	7.60	6.92	0.39	0.47	800	F05/F07	29.00
4"	3.83	4.00	4.68	5.21	0.67	14.56	2.75	4.01	0.66	8.89	7.55	0.39	0.47	800	F05/F07	46.50