

HIGH PERFORMANCE BUTTERFLY VALVE



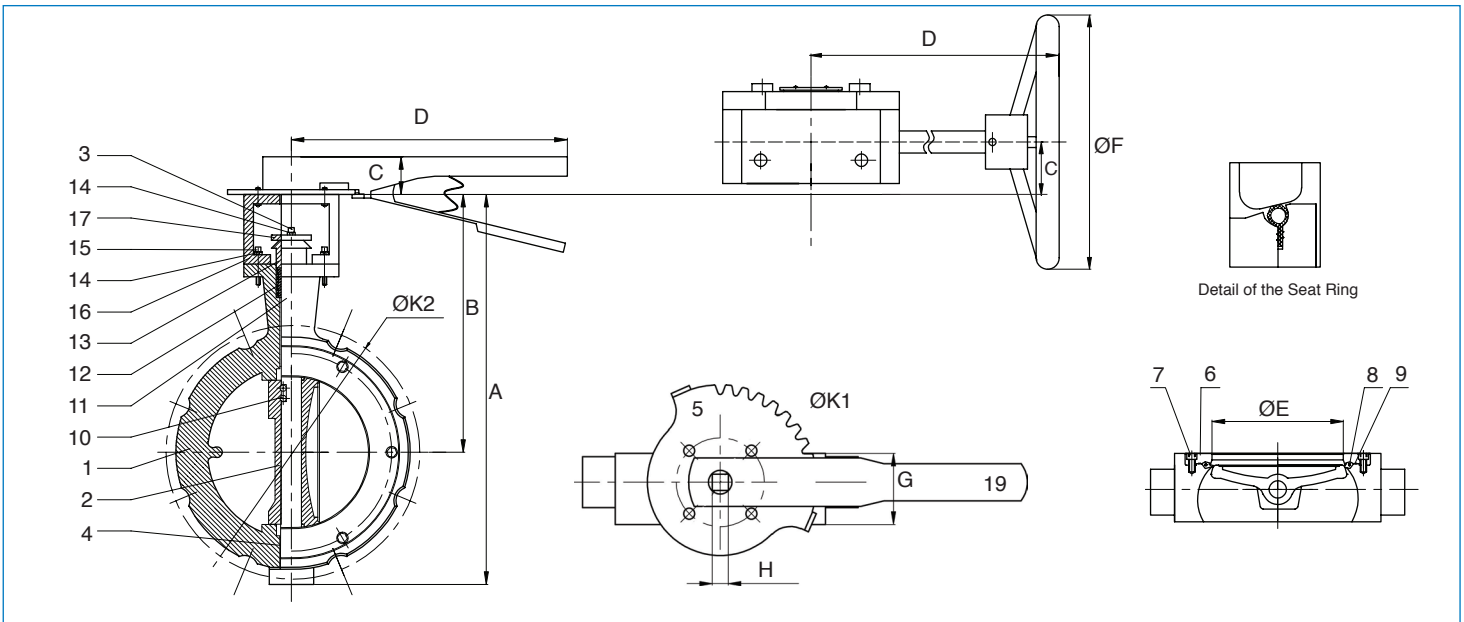
SERIES 8300 - 9300

CARBON STEEL STAINLESS STEEL

Manually operated ANSI 300 class, high performance Wafer style butterfly valves.

- ISO 5211 direct mounting pad/square stem.
- Compact design, easy access to packing.
- Replaceable seat design.
- Multiple V-ring stem packing.
- Reliable and consistent torques.
- R.P.T.F.E seats, metal seats upon request.
- 14" to 24" sizes available upon request.
- 150 WSP.
- Temperature range: -20° F to 475° F.
- Sizes 2" to 12".

G8300-G9300: Gear operated version.



| N POS | PART NAME | MATERIAL | N PCS |
|-------|-----------------|-----------------------|-------|
| 1 | BODY | WCB/CF8M | 1 |
| 2 | DISC | CF8M | 1 |
| 3 | STEM BOLT | SS 304 | 2 |
| 4 | V-RING BUSHING | SS 316 + PTFE | 3 |
| 5 | PLATE | SS 304 | 1 |
| 6 | SEAT RETAINER | WCB/CF8M | 1 |
| 7 | RETAINER SCEW | SS 304 | 6-8 |
| 8 | O-RING | VITON® | 1 |
| 9 | SEAT | CARBON FILLED P.T.F.E | 1 |
| 10 | PIN | SS 316 | 2 |
| 11 | STEM | AISI 17-4PH | 1 |
| 12 | V-RING | PTFE | 6-9 |
| 13 | GLAND BUSHING | SS 316 | 1 |
| 14 | SPRING WASHER | SS 304 | 4 |
| 15 | HEX BOLT | SS 304 | 4 |
| 16 | MOUNTING FLANGE | WCB/CF8M | 1 |
| 17 | GLAND | CF8M | 1 |
| 18 | NUT | SS 304 | 2 |
| 19 | HANDLE | MALLEABLE IRON | 1 |

| SIZE | A | B | C | D | ØE | ØF | G | H | ISO 5211 | ØK2 | Break torque | psi carbon-stainless | Cv | Weight Lbs |
|--------|-------|-------|------|------|-------|------|------|------|----------|--------------------|--------------|----------------------|------|------------|
| 2" | 9.42 | 6.42 | 1.26 | 10.5 | 2.45 | C/F | 1.75 | 11mm | F07 | 4.75" x 4 x 0.69 | 253 | 740/720 | 102 | 11.24 |
| 2 1/2" | 9.13 | 6.42 | 1.26 | 10.5 | 2.91 | C/F | 1.88 | 11mm | F07 | 5.50" x 4 x 0.69 | 277 | 740/720 | 146 | 13.01 |
| 3" | 10.43 | 7.40 | 1.26 | 10.5 | 3.37 | C/F | 1.92 | 11mm | F07 | 6.00" x 4 x 0.69 | 295 | 740/720 | 228 | 14.77 |
| 4" | 11.73 | 8.23 | 1.26 | 10.5 | 4.25 | C/F | 2.13 | 14mm | F07 | 7.50" x 8 x 0.69 | 428 | 740/720 | 451 | 20.94 |
| 5" | 13.32 | 9.07 | 1.26 | 10.5 | 5.30 | C/F | 2.25 | 17mm | F07 | 8.50" x 8 x 0.81 | 723 | 740/720 | 714 | 28.50 |
| 6" | 14.50 | 9.60 | 1.26 | 10.5 | 6.40 | C/F | 2.31 | 17mm | F07 | 9.50" x 8 x 0.81 | 1125 | 740/720 | 1103 | 35.71 |
| 8" | 16.30 | 10.80 | 1.26 | 13.9 | 8.35 | C/F | 2.50 | 17mm | F10 | 11.75" x 8 x 0.81 | 1903 | 740/720 | 2064 | 56.22 |
| 10" | 19.26 | 11.36 | 1.54 | 8.90 | 10.16 | 11.8 | 2.81 | 22mm | F10 | 14.25" x 12 x 0.94 | 3496 | 740/720 | 3517 | 77.16 |
| 12" | 23.00 | 14.37 | 1.54 | 8.90 | 11.93 | 11.8 | 3.23 | 27mm | F14 | 17.00" x 12 x 0.94 | 5176 | 740/720 | 4837 | 123.46 |