



JOB NAME:	CONTRACTOR:
JOB LOCATION:	APPROVAL:
ENGINEER:	CONTRACTOR P.O.:
APPROVAL:	REPRESENTATIVE:

8E0620-00* - 8E0621-00* - 8E0622-00*
FNPT THREADED SOCKET WELD BUTT WELD

620LL DIRECT MOUNT, 3-PC, 2-WAY CARBON STEEL, FULL PORT BALL VALVE IN NPT, SW OR BUTT WELD W/VALBIA ELECTRIC ACTUATOR SIZES 1/4" TO 4"

*001	12V AC/DC	*002	24V AC/DC	*003	100-240V AC
01	BATTERY BACKUP	*02*	POSITIONER	*04*	BATTERY BACKUP W POSITIONER

SPECIFICATIONS

The Bonomi 8E0620-8E0621-8E0622 series features a complete ISO direct mount with square stem, full port 3-piece investment cast carbon steel ball valve, with TFM-1600 seats and a 1000 psi pressure rating. It also features a multiple V-ring style stem packing and Belleville washers for live loading. The valve is standardly furnished with a 316 Stainless steel ball and stem. The actuator is a Valbia VB series, incorporating standard dual voltages, 2 extra limit switches, a heater & thermostat, torque limiter, ISO dual patterns, square drive, position indicator, PG11 connections, and a 75% duty cycle. Optional equipment includes positioning boards,

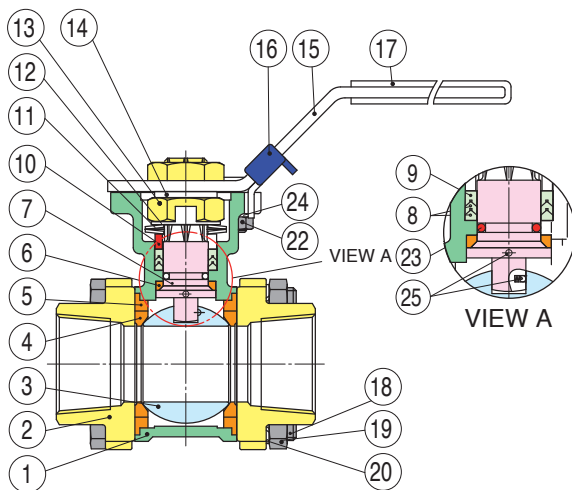
ACTUATOR FEATURES

- NEMA 4, 4X Housing
- 12V/24V AC/DC and 100-240V AC Models Available
- ISO 5211 dual patterns
- VB015 -12/24V AC - 50% Duty Cycle
- VB030-VB110 - 12/24V DC and 100-240V AC - 75% Duty Cycle
- High-Strength, Impact Resistant IP67 Technopolymer Housing
- Temperature Range -4°F to 131°F
- PG11 Electrical Connection/Optional 1/2" Conduit

VALVE FEATURES

- 3-piece WCB body
- Full port, sizes 1/4" to 4"
- ISO 5211 mounting pad w/ square stem
- Pressure rating 1/4" to 2" 1000 psi, 2-1/2" to 4" 800 psi - 150 psi steam
- Temperature range -60°F to +440°F
- Blow out proof stem, multi-layer V-ring adjustable stem packing
- TFM-1600 seats, P.T.F.E. packing and thrust washer

BILL OF MATERIALS FOR 620LL / 621LL / 622LL



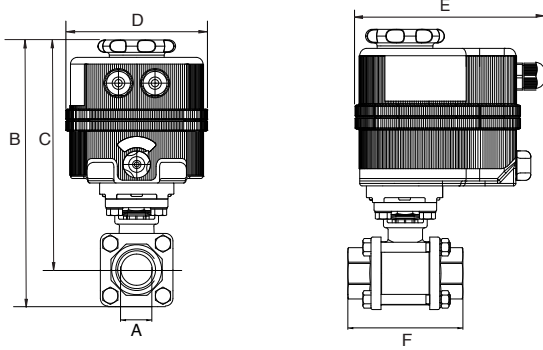
N POS	PART NAME	MATERIAL	N PCS
1	BODY	WCB	1
2	END CAP	WCB	2
3	BALL	SS316	1
4	SEAT	TFM-1600	2
5	JOIN GASKET	P.T.F.E.	2
6	STEM SEAL	R.T.F.E.	1
7	STEM	SS316	1
8	STEM PACKING	P.T.F.E.	1
9	STEM PACKING	25% FIBERGLASS + P.T.F.E.	*
10	GLAND	SS304	1
11	BELLEVILLE WASHER	SS304	2
12	LOCK SADDLE	SS304	1
13	STEM NUT	SS304	2

N POS	PART NAME	MATERIAL	N PCS
14	STEM WASHER	SS304	1
15	HANDLE	SS304	1
16	LOCKING DEVICE	SS304	1
17	HANDLE SLEEVE	VINYL	2
18	BOLT	SS304	*
19	BOLT NUT	SS304	*
20	BOLT WASHER	SS304	*
21	STOP PIN	SS304	1
22	PIN NUT	SS304	1
23	O-RING	VITON	1
24	WASHER	SS304	1
25	ANTI-STATIC DEVICE	SS316	1
26	SPRING	SS316	1

*VARIES WITH SIZE

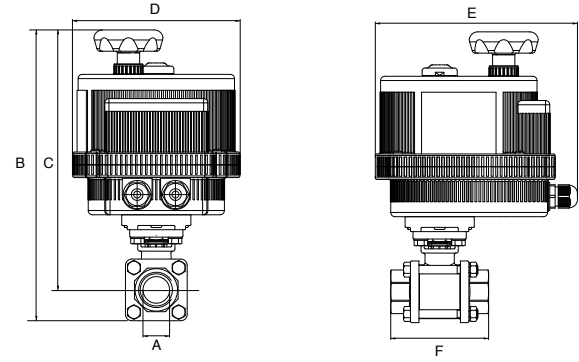
VB015

SIZES 1/4" THROUGH 1-1/4"



VB030-VB190

SIZES 1-1/2" THROUGH 4"



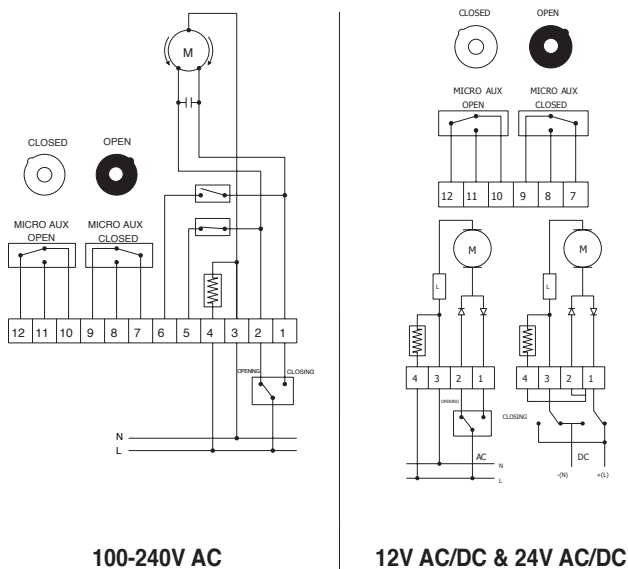
DIMENSIONS

Size	A	B	C	D	E	F	ACT.
1/4"	.250	10.05	9.14	4.84	6.46	2.23	VB015
3/8"	.375	10.18	9.27	4.84	6.46	2.23	VB015
1/2"	.500	10.30	9.39	4.84	6.46	2.59	VB015
3/4"	.750	11.14	10.10	4.84	6.46	3.00	VB015
1"	1.00	14.09	12.86	6.18	6.18	3.39	VB030
1-1/4"	1.25	14.62	13.33	6.18	6.18	4.05	VB030
1-1/2"	1.50	17.74	16.06	7.28	7.28	4.70	VB060
2"	2.00	19.00	17.16	7.28	7.28	5.17	VB060
2-1/2"	2.50	22.55	20.20	8.31	8.31	6.46	VB110
3"	3.00	23.95	21.40	8.31	8.31	7.19	VB110
4"	4.00	26.45	23.58	8.31	8.31	9.28	VB190

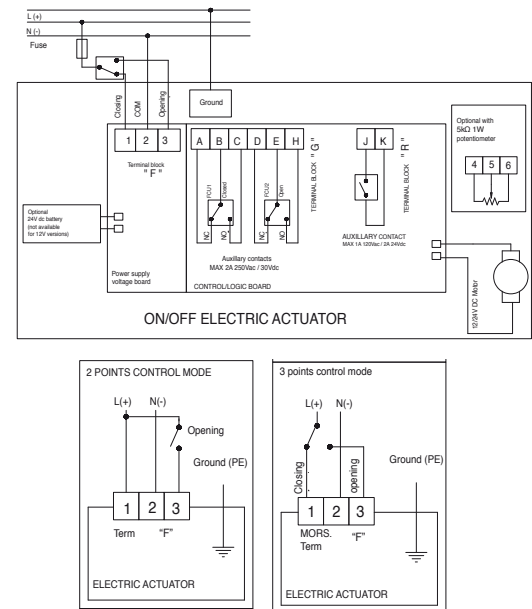
ON/OFF WIRING DIAGRAMS

12V AC/DC, 24V AC/DC & 100-240VAC

VB015 WIRING

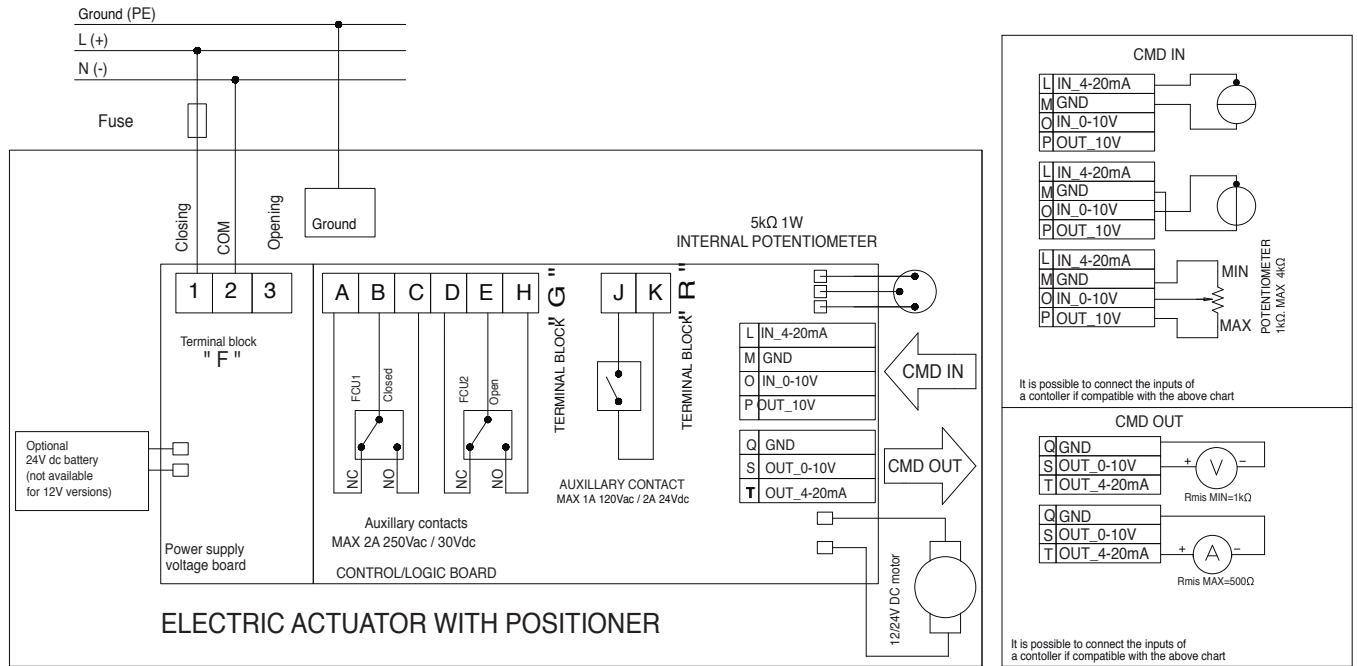


VB030-VB190 WIRING



POSITIONER WIRING DIAGRAM

12V AC/DC, 24V AC/DC & 100-240VAC



The power supply COM signal (pin "2" terminal block "F") cannot share the same electrical command ground signal (pin "GND" terminal block "CDM IN") or feedback ground signal (pin "GND" terminal block "CDM OUT").

3-POSITION WIRING DIAGRAM

12V AC/DC, 24V AC/DC & 100-240VAC

