



JOB NAME:	CONTRACTOR:
JOB LOCATION:	APPROVAL:
ENGINEER:	CONTRACTOR P.O.:
APPROVAL:	REPRESENTATIVE:

**8E074-00\* - 8E080-00\* - 8E081-00\***  
**FNPT THREADED                      SOCKET WELD                      BUTT WELD**

**710001 BRACKET MOUNTED, 3-PC, 2-WAY STAINLESS STEEL, FULL PORT BALL VALVE IN NPT, SOCKET WELD OR BUTT WELD W/VALBIA ELECTRIC ACTUATOR SIZES 1/4" TO 4"**

*001	12V AC/DC	*002	24V AC/DC	*003	100-240V AC
*01*	BATTERY BACKUP	*02*	POSITIONER	*04*	BATTERY BACKUP W POSITIONER

**SPECIFICATIONS**

The Bonomi 8E074/8E080/8E081 series features a three-piece, full port stainless steel ball valve, up to 1000 psi, with either threaded, socket weld, or butt weld end connections. The valve also features an ISO 5211 mounting pad, and meets NACE MR 0175 and NACE MR0103.

The actuator is a Valbia VB series, incorporating standard dual voltages, 2 extra limit switches, a heater & thermostat, torque limiter, ISO dual patterns, square drive, position indicator, PG11 connections, and a 75% duty cycle. Optional equipment includes positioning boards, and battery back-up fail safe models. A bracket connects the valve to the actuator to prevent the expansion of high heat to the actuator.

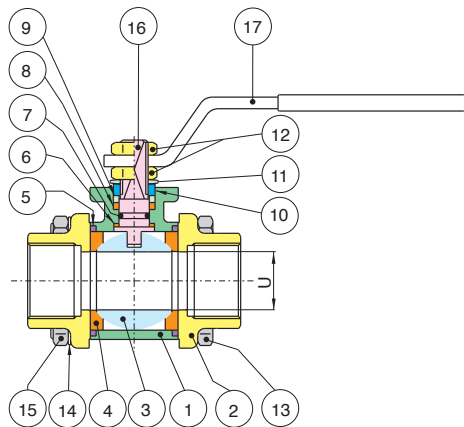
**ACTUATOR FEATURES**

- NEMA 4, 4X Housing
- 12V/24V AC/DC and 100-240V AC Models Available
- ISO 5211 dual patterns
- VB015 -12/24V AC - 50% Duty Cycle
- VB030-VB060 - 12/24V DC and 100-240V AC - 75% Duty Cycle
- High-Strength, Impact Resistant IP67 Technopolymer Housing
- Temperature Range -4°F to 131°F
- PG11 Electrical Connection/Optional 1/2" conduit connection

**VALVE FEATURES**

- CF8M body
- Full port, sizes 1/4" to 4"
- ISO 5211 mounting pad
- Pressure rating 1/4" to 1/2" 1000 psi
- Pressure rating 3/4" to 1" 600 psi
- Pressure rating 1-1/4" to 3" 350 psi
- Pressure rating 2-1/2" to 4" 230 psi
- 150 psi steam
- Temperature range -4°F to +366°F
- Blow out proof stem, adjustable stem packing
- P.T.F.E. seats, packing and thrust washer
- 100% electronically tested in the open and closed position at 80 psi
- TUV T.A. Luft approved

**BILL OF MATERIALS FOR 710001 / 711000 / 712000**

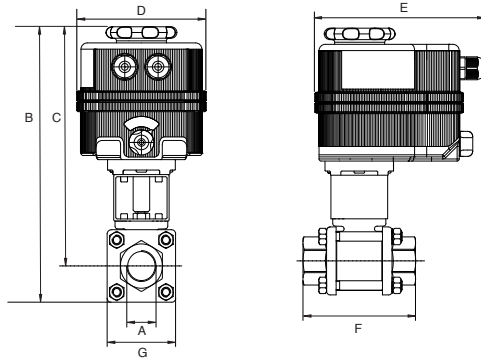


N POS	PART NAME	MATERIAL	N PCS
1	BODY	CF8M	1
2	END CAP	CF8M	2
3	BALL	AISI 304-CF8M	1
4	BALL SEAT	P.T.F.E.	2
5	SEAL	P.T.F.E.	2
6	STEM SEAL	R.T.F.E.	1
7	O-RING	SS316	1
8	STEM SEAL	P.T.F.E.	1
9	PACKING GLAND	STEEL	1

N POS	PART NAME	MATERIAL	N PCS
10	END STOP	AISI 430 (1/4" - 2")	2
		STEEL (2-1/2" - 4")	1
11	SPRING WASHER	STEEL (2-1/2" - 4")	2
12	NUT	STEEL	2
		STEEL (1/4" - 2")	4
13	BOLT	STEEL (2-1/2" - 4")	6
		STEEL (1/4" - 2")	4
14	WASHER	STEEL (2-1/2" - 4")	6
		STEEL (1/4" - 2")	4
15	NUT	STEEL (2-1/2" - 4")	6
16	STEM	AISI 304	1
17	HANDLE	STEEL	1

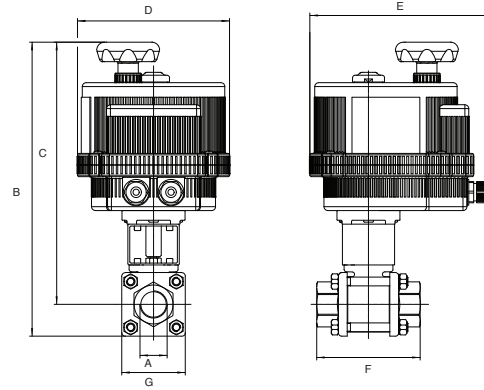
**VB015**

SIZES 1/4" THROUGH 1-1/4"



**VB030-VB 190**

SIZES 1-1/2" THROUGH 4"



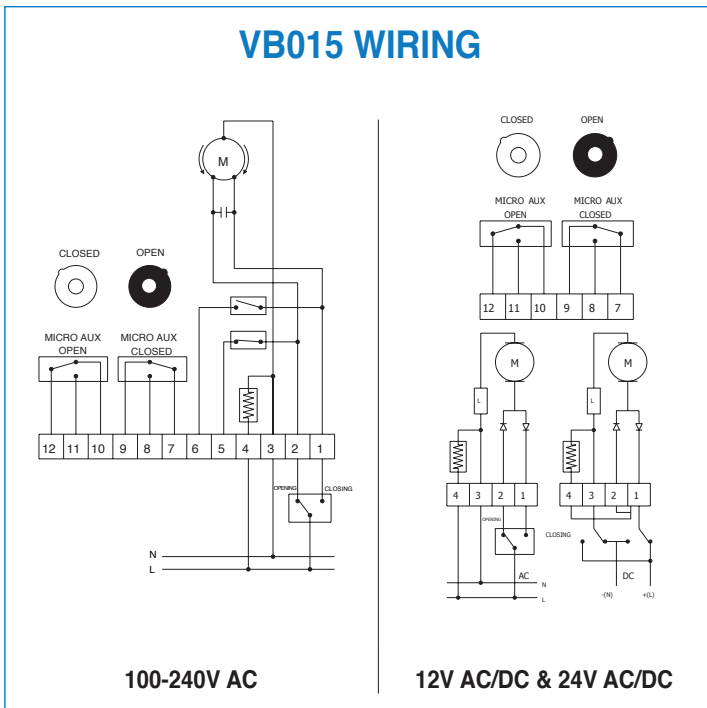
**DIMENSIONS**

Size	A	B	C	D	E	F	G	ACT.
1/4"	.250	8.07	7.40	4.84	6.46	2.24	1.30	VB015
3/8"	.375	8.07	7.40	4.84	6.46	2.24	1.30	VB015
1/2"	.500	8.47	7.72	4.84	6.46	2.56	1.50	VB015
3/4"	.750	9.92	9.02	4.84	6.46	2.99	1.85	VB015
1"	1.00	12.1	10.9	6.18	7.52	3.62	2.28	VB030
1-1/4"	1.25	12.4	11.1	6.18	7.52	4.21	2.64	VB030
1-1/2"	1.50	14.4	12.9	7.28	8.47	4.57	3.00	VB060
2"	2.00	15.0	13.2	7.28	8.47	5.35	3.54	VB060
2-1/2"	2.50	17.0	14.4	8.31	9.33	6.06	5.28	VB110
3"	3.00	18.0	14.8	8.31	9.33	7.09	6.39	VB110
4"	4.00	20.0	16.3	8.31	9.33	8.54	7.48	VB190

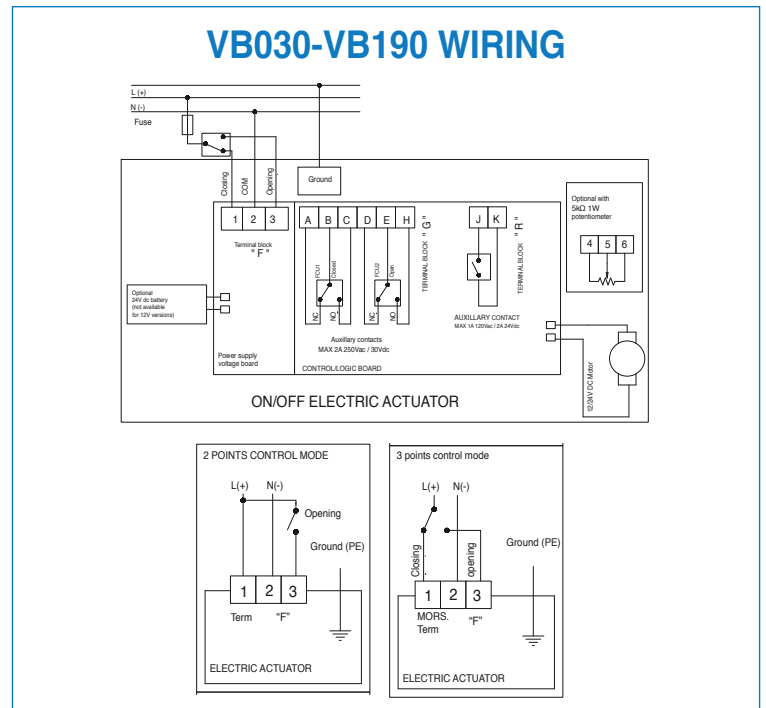
**ON/OFF WIRING DIAGRAMS**

12V AC/DC, 24V AC/DC & 100-240VAC

**VB015 WIRING**

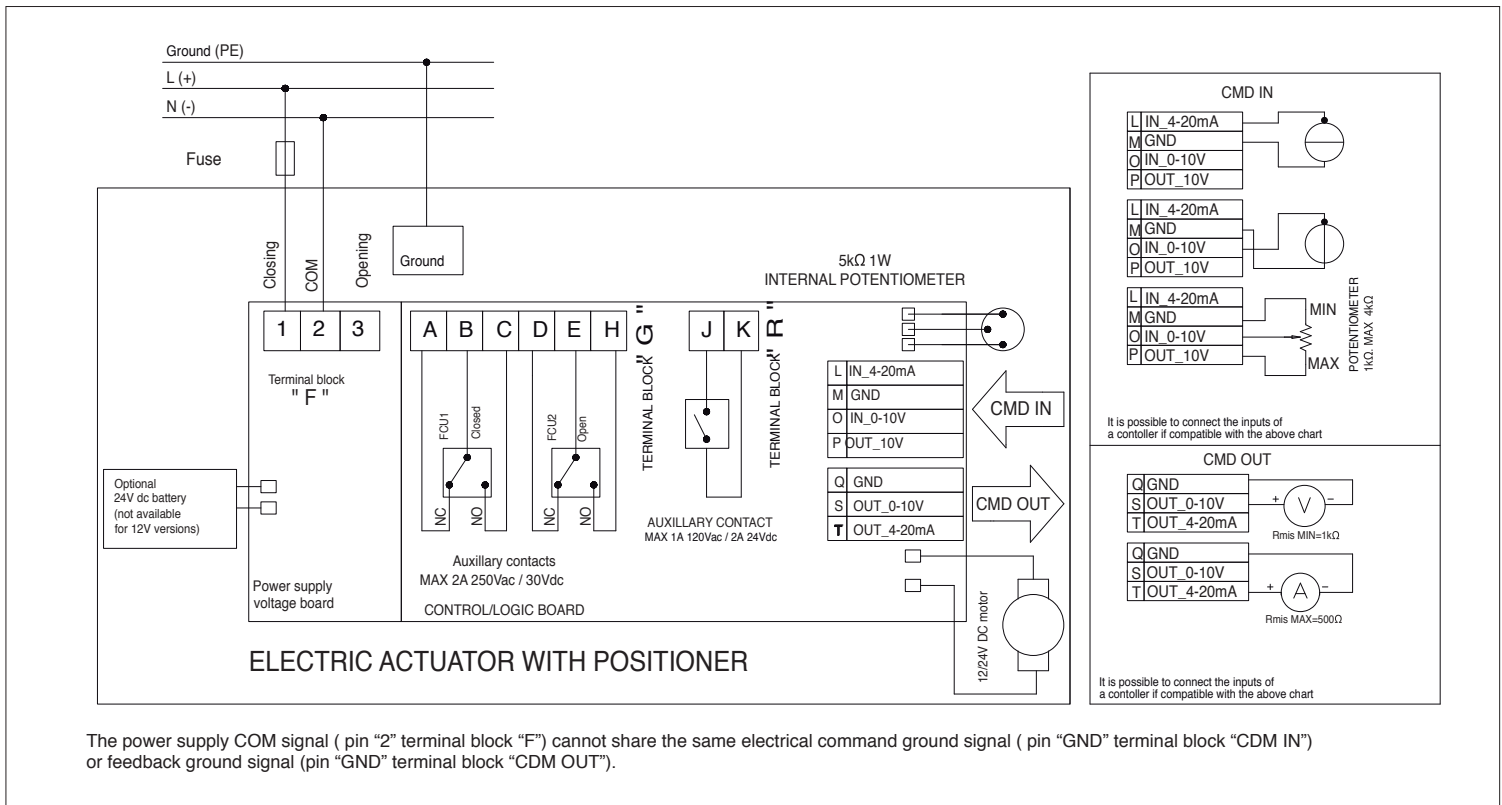


**VB030-VB190 WIRING**



## POSITIONER WIRING DIAGRAM

12V AC/DC, 24V AC/DC & 100-240VAC



## 3-POSITION WIRING DIAGRAM

12V AC/DC, 24V AC/DC & 100-240VAC

