



JOB NAME:	CONTRACTOR:
JOB LOCATION:	APPROVAL:
ENGINEER:	CONTRACTOR P.O.:
APPROVAL:	REPRESENTATIVE:

8E1300-00*

1300 2-WAY, 3-PIECE DIRECT MOUNT STAINLESS STEEL, STAINLESS STEEL PORT INSTRUMENTATION BALL WITH VALBIA ELECTRIC ACTUATOR

SIZES 1/4" TO 3/4"

*001 12V AC/DC	*002 24V AC/DC	*003 100-240V AC
01 BATTERY BACKUP	*02* POSITIONER	*04* BATTERY BACKUP W POSITIONER

SPECIFICATIONS

The Bonomi 8E1300 series electric actuated package features a stainless steel, 2000psi 3-piece, ISO 5211 direct mount ball valve with compression ends. The valve also has TFM-1600 seats, and a multiple stem packing design for high cycle applications.

The Valbia electric VB series actuator fits directly over the 1300-series square stem and ISO 5211 pad. The actuator also is standardly furnished with dual voltages, two extra limit switches, torque limiter, extended manual override, 75% duty cycle motor, in a IP 67, NEMA 4, 4X techno polymer housing.

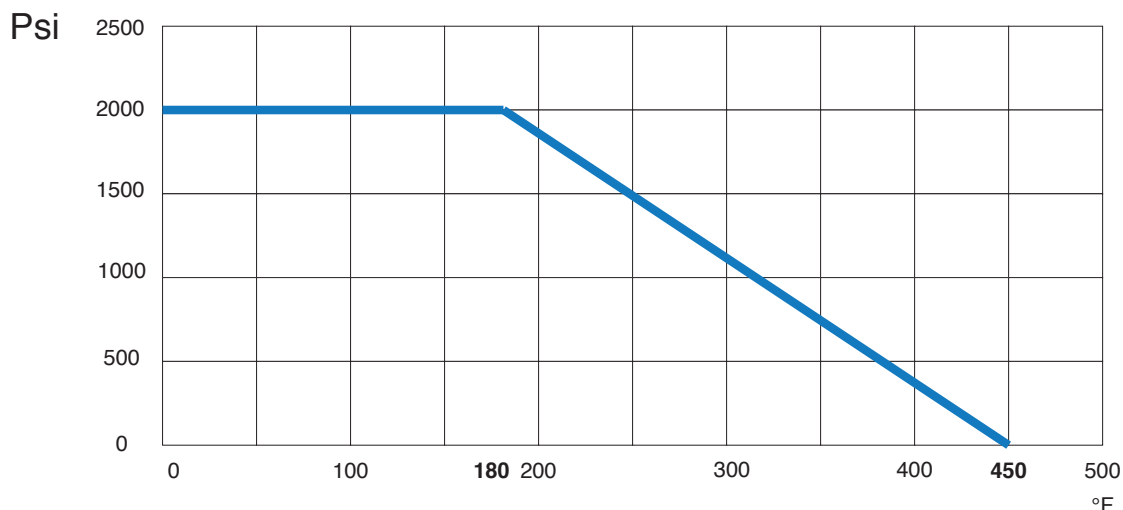
ACTUATOR FEATURES

- NEMA 4, 4X IP67 Housing
- 12V/24V AC/DC and 100-240V AC Models Available
- ISO 5211 dual patterns
- VB015 - 12/24V AC - 50% Duty Cycle
- VB030-VB110 - 12/24V DC and 100-240V AC - 75% Duty Cycle
- High-Strength, Impact Resistant IP67 Technopolymer Housing
- Heater & Thermostat
- Torque Limiter
- Temperature Range -4°F to 131°F
- PG11 Electrical Connection/Optional 1/2" Conduit

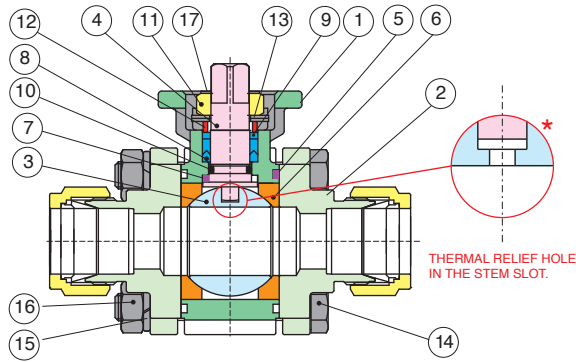
VALVE FEATURES

- 3-Pc. Stainless Steel Port Instrumentation Ball
- Standard port, sizes 1/4" to 3/4"
- Working pressure to 2000 psi
- Temperature range -4°F to 450°F
- ISO 5211 mounting pad with square stem
- TFM1600 seats
- P.T.F.E. packing and seals
- Extremely high cycle life
- Compression ends with heat treated ferrules

PRESSURE - TEMPERATURE CHART FOR SERIES 1300



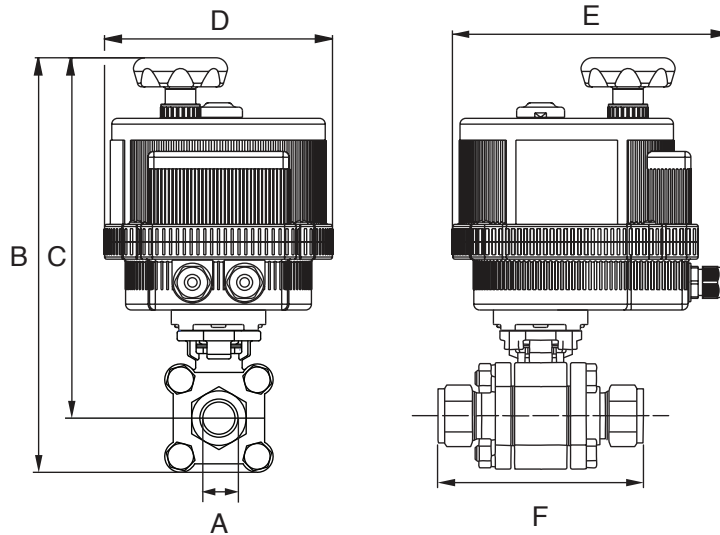
BILL OF MATERIALS FOR 1300



N POS	PART NAME	MATERIAL	N PCS
1	BODY	CF8M	1
2	END CAP	CF8M	2
3	BALL	SS 316	1
4	STEM	SS 316	1
5	PACKING	P.T.F.E.	2
6	SEAT	TFM1600	2
7	STEM SEAL	P.T.F.E.	1
8	V-RING PACKING	P.T.F.E.	1 Set
9	BUSHING	50% SS - 50% P.T.F.E.	1

N POS	PART NAME	MATERIAL	N PCS
10	O-RING	FKM (Viton®)	1
11	STEM NUT	SS304	1
12	GLAND	SS304	1
13	BELLEVILLE WASHER	SS304	2
14	BOLT	SS304	4
15	WASHER	SS304	4
16	BOLT NUT	SS304	4
17	LOCK SADDLE	SS304	1

DIMENSIONS



STANDARD ON-OFF (-00*)

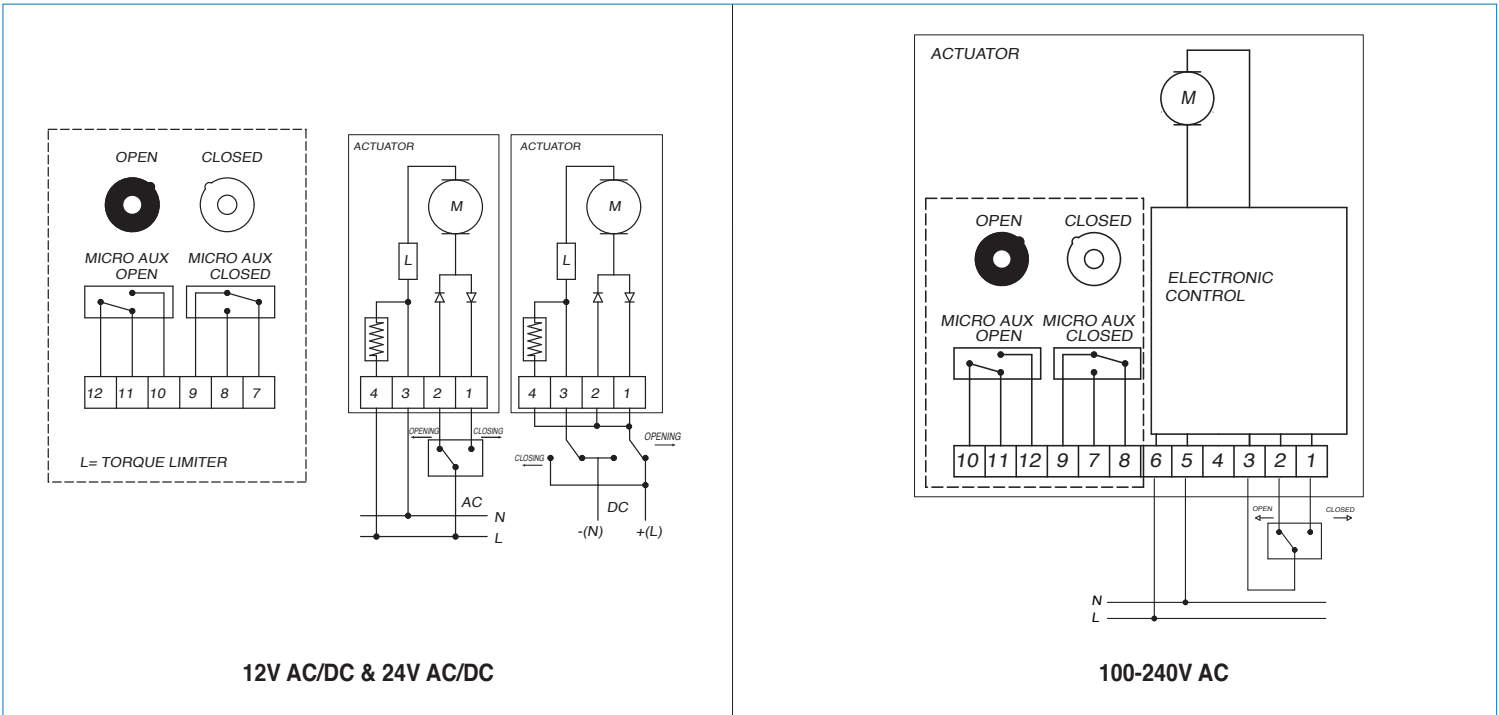
Size	1/4"	3/8"	1/2"	3/4"
A	0.18	0.25	0.37	0.63
B	9.09	9.09	9.09	9.09
C	7.17	7.17	7.17	7.17
D	4.84	4.84	4.84	4.84
E	6.45	6.45	6.45	6.45
F	3.74	3.79	4.02	4.02
Act.	VB015	VB015	VB015	VB015

FAIL-SAFE/POSITIONER (-01,-02,-03)

Size	1/4"	3/8"	1/2"	3/4"
A	0.18	0.25	0.37	0.63
B	10.92	10.92	10.92	10.92
C	9.00	9.00	9.00	9.00
D	6.18	6.18	6.18	6.18
E	7.51	7.51	7.51	7.51
F	3.74	3.79	4.02	4.02
Act.	VB030	VB030	VB030	VB030

ON/OFF WIRING DIAGRAM - VB015

12V AC/DC, 24V AC/DC & 100-240VAC



POSITIONER WIRING DIAGRAM - VB030

12V AC/DC, 24V AC/DC & 100-240VAC

