



JOB NAME:	CONTRACTOR:
JOB LOCATION:	APPROVAL:
ENGINEER:	CONTRACTOR P.O.:
APPROVAL:	REPRESENTATIVE:

8E725002-00*

725002 2-WAY STAINLESS STEEL, ANSI 150 FLANGED, "TRUE" WAFER STYLE, FULL PORT BALL VALVE WITH VALBIA ELECTRIC ACTUATOR AND BRACKET

SIZES 1" TO 4"

*001 12V AC/DC	*002 24V AC/DC	*003 100-240V AC
01 BATTERY BACKUP	*02* POSITIONER	*04* BATTERY BACKUP W POSITIONER

SPECIFICATIONS

The 8E725002 series electric package features the "true" wafer 725002-stainless steel, steam rated, full port, ANSI Class 150 flanged ball valve. The 725002 series also incorporates a relief hole located in the stem slot for thermal expansion protection.

The Valbia VB series actuator housing is made from a high impact resistant technopolymer, and standardly features dual motors, two extra limit switches, a heater & thermostat, a torque limiter, dual ISO patterns, female star drive, position indicator, PG11 connections, and a 75% duty cycle motor. The actuator is also NEMA 4,4X rated. Options include positioning boards, battery backups, or a combination of the two.

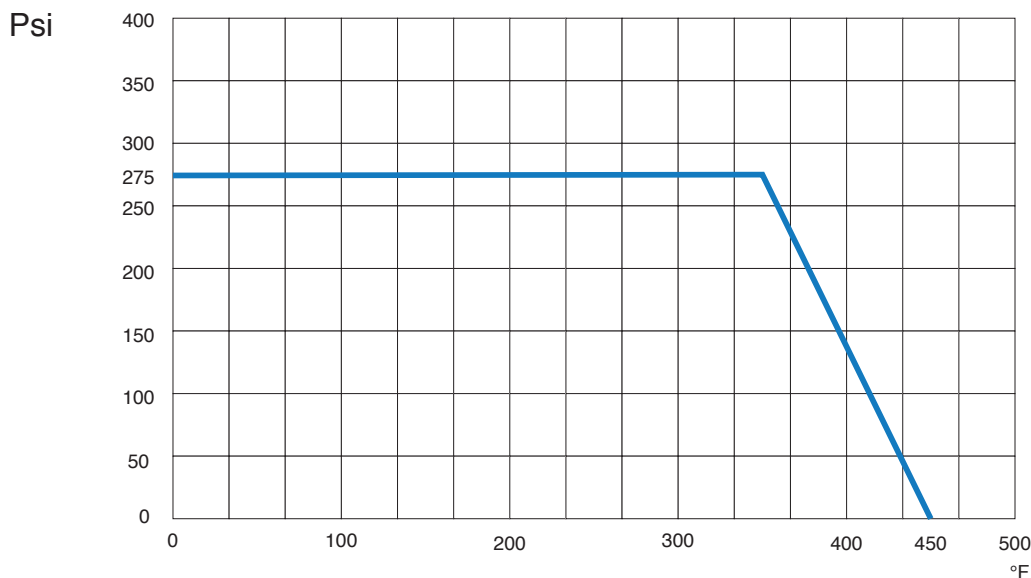
ACTUATOR FEATURES

- NEMA 4, 4X IP67 Housing
- 12V/24V AC/DC and 100-240V AC Models Available
- ISO 5211 dual patterns
- VB015 - 12/24V AC - 50% Duty Cycle
- VB030-VB110 - 12/24V DC and 100-240V AC - 75% Duty Cycle
- High-Strength, Impact Resistant IP67 Technopolymer Housing
- Heater & Thermostat
- Torque Limiter
- Temperature Range -4°F to 131°F
- PG11 Electrical Connection/Optional 1/2" Conduit

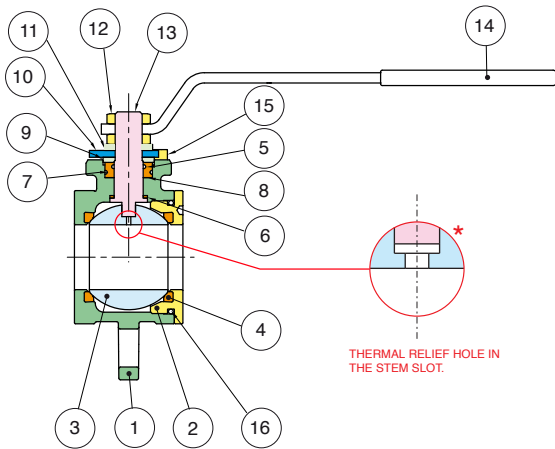
VALVE FEATURES

- Stainless Steel, ANSI class 150 flanged
- Full port, sizes 1" to 4"
- Temperature range -4°F to 450°F
- Blow-out proof stem
- 25% Carbon filled P.T.F.E. seats, packing and thrust washer
- Thermal relief hole in stem slot
- Space saving design
- 100% tested
- TUV T.A. Luft approved
- Anti-static stem device
- Steam service trim (200 WSP)
- ISO 5211 mounting pad with double "D" stem
- Complies with NACE MR 0175/ISO 15156 and NACE MR 0103

PRESSURE - TEMPERATURE CHART FOR SERIES 725002



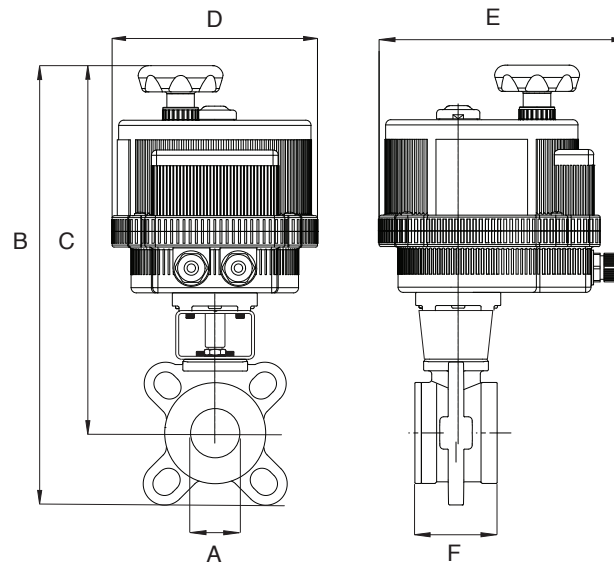
BILL OF MATERIALS FOR 725002



N POS	PART NAME	MATERIAL	N PCS
1	BODY	A351 CF8M	1
2	END CONNECTION	A479-316	1
3	BALL	A479-316/A351 CF8M	1
4	BALL SEATS	R.P.T.F.E.	2
5	O-RING	FKM (Viton®)	1
6	THRUST WASHER	P.T.F.E.	1
7	RING	FKM (Viton®)	1
8	STEM SEAL	P.T.F.E.	1

N POS	PART NAME	MATERIAL	N PCS
10	END STOP	CARBON STEEL	1
11	SPRING WASHER	CARBON STEEL	2
12	NUT	CARBON STEEL	2
13	STEM	A479-316	1
14	HANDLE	CARBON STEEL	1
15	SCREW	CARBON STEEL	2
16	O-RING	FKM (Viton®)	2

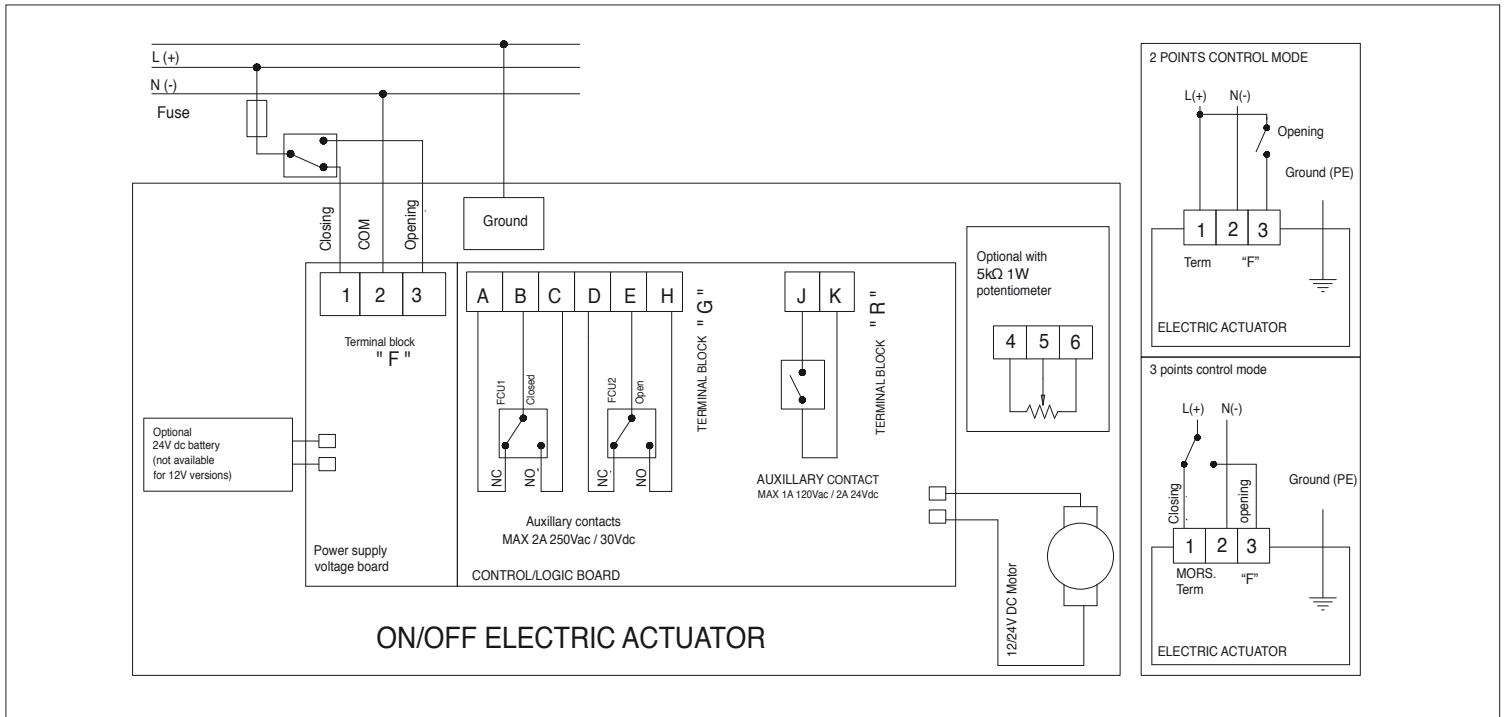
DIMENSIONS



Size	1"	1-1/4"	1-1/2"	2"	2-1/2"	3"	4"
A	1.00	1.25	1.50	2.00	2.50	3.00	4.00
B	13.07	13.48	14.99	15.86	19.92	20.94	22.49
C	10.79	11.02	12.30	12.76	15.76	16.33	17.26
D	6.18	6.18	7.28	7.28	8.31	8.31	8.31
E	7.48	7.48	8.43	8.43	9.33	9.33	9.33
F	1.81	2.12	2.50	3.23	4.05	4.80	5.60
Act.	VB030	VB030	VB060	VB060	VB110	VB110	VB190

ON/OFF WIRING DIAGRAM - VB030 -VB190

12V AC/DC, 24V AC/DC & 100-240VAC



POSITIONER WIRING DIAGRAM - VB030 -VB190

12V AC/DC, 24V AC/DC & 100-240VAC

