



JOB NAME:	CONTRACTOR:
JOB LOCATION:	APPROVAL:
ENGINEER:	CONTRACTOR P.O.:
APPROVAL:	REPRESENTATIVE:

8E865-00*

355N DIRECT MOUNT, 3-WAY STAINLESS STEEL, "T" PORT BALL VALVE W/ELECTRIC ACTUATOR
SIZES 1/4" TO 3/4"

8E866-00*

365N DIRECT MOUNT, 3-WAY STAINLESS STEEL, "L" PORT BALL VALVE W/ELECTRIC ACTUATOR
SIZES 1/4" TO 3/4"

*002 - 24V AC/DC *003 - 100-240V AC

SPECIFICATIONS

The 8E865 3-way T port and 8E866 L port series brass ball valves combined with the mini VB010 electric actuator offer the small total envelope package with lasting performance.

The 8E865 series T port with its four-seated design can allow straight through flow, diversion, and complete shut-off capability. The 8E866 L port is also four seated, allowing one to utilize any port as an entry.

Both series are low torque design, direct mount ISO 5211 for lasting performance and durability. The mini VB010 actuator connects directly to the stem, has zero side play, a quiet operation, and an extra switch. The 30" pigtail allows the installer to wire the device quickly, without having to disassemble the housing first, thus saving valuable installation time. Both series can be installed in any position.

ACTUATOR FEATURES

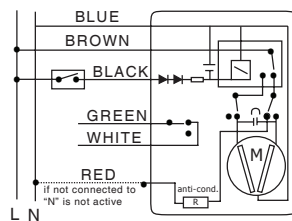
- 24V AC/DC & 100-240V AC Models Available.
- 120V AC - 75% Duty Cycle w/ 8 sec. cycle time.
- 24V AC/DC - 50% Duty Cycle w/ 6.5 sec. cycle time
- High-Strength, Impact Resistant IP65 Technopolymer Housing.
- One auxiliary SPDT contact on closed.
- Temperature Range 23°F to 131°F
- ISO 5211, F03/F05 base w/ 11mm female drive.
- Anti-condensation heater
- Quiet operation w/ LED light in open position.
- Output Torque 89 in/Lbs.
- 30" pigtail for quick installation
- Absorbed current for 120V AC is 4A
- Absorbed current for 24V AC/DC is 6A

VALVE FEATURES

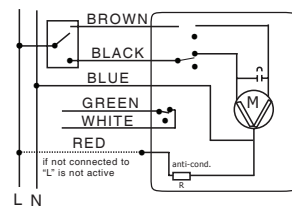
- Brass
- Full Port, Sizes 1/4" to 3/4"
- ISO 5211 pad and square stem
- Pressure rating to 400 WOG
- Temperature range -4°F to 366°F
- Four (4) seat design for sealing between pressured ports
- Blow-out proof stem, chrome plated brass ball
- Low torque design with back up o-ring seats
- Double o-ring stem seal design for extended cycle life
- 100% electronically tested in the open and closed position@80 Psi

WIRING MODES

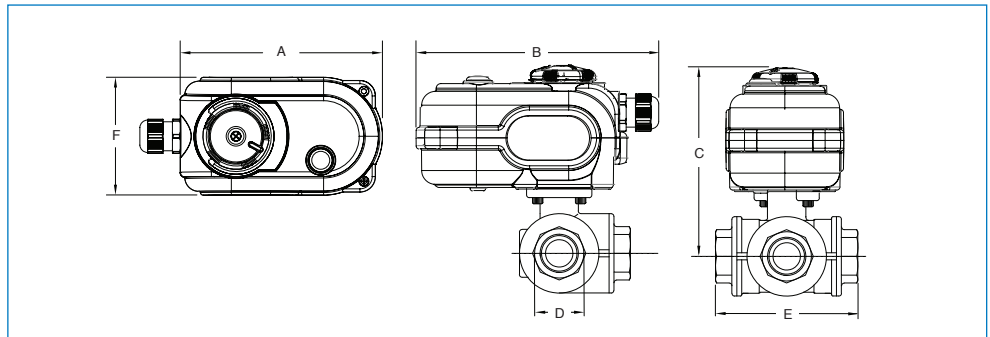
ACTUATORS CAN BE WIRED IN EITHER OF THE FOLLOWING:



2-Point Control Mode



3-Point Control Mode



Pressure rating: 400 WOG, 1/4" to 3/4"

Size	A	B	C	D	E	F
1/4"	5.11	6.14	4.35	0.39	2.64	2.95
3/8"	5.11	6.14	4.35	0.43	2.64	2.95
1/2"	5.11	6.14	4.35	0.43	2.87	2.95
3/4"	5.11	6.14	4.44	0.59	3.19	2.95