



JOB NAME:	CONTRACTOR:
JOB LOCATION:	APPROVAL:
ENGINEER:	CONTRACTOR P.O.:
APPROVAL:	REPRESENTATIVE:

## 8P725002

**725002 2-WAY STAINLESS STEEL, ANSI 150 FLANGED, "TRUE" WAFER STYLE, FULL PORT BALL VALVE WITH **DOUBLE ACTING** ACTUATOR**

**SIZES 1" TO 4"**

## 8P725003

**725002 2-WAY STAINLESS STEEL, ANSI 150 FLANGED, "TRUE" WAFER STYLE, FULL PORT BALL VALVE WITH **SPRING RETURN** ACTUATOR**

**SIZES 1" TO 4"**

### SPECIFICATIONS

The 8P725002/8P725003 series pneumatic package features the "true" wafer 725002-stainless steel, steam rated, full port, ANSI Class 150 flanged ball valve. The 725002 series also incorporates a relief hole located in the stem slot for thermal expansion protection. 25% carbon filled PTFE seats are standard.

The Valbia pneumatic actuator comes with a hard-anodized aluminum body, and powder coated end caps. In addition, all Valbia pneumatic actuators are standardly furnished with elevated temperature seals to 302°F. The patented side loaded limit stops never enter the piston chamber eliminating extra possible leak paths.

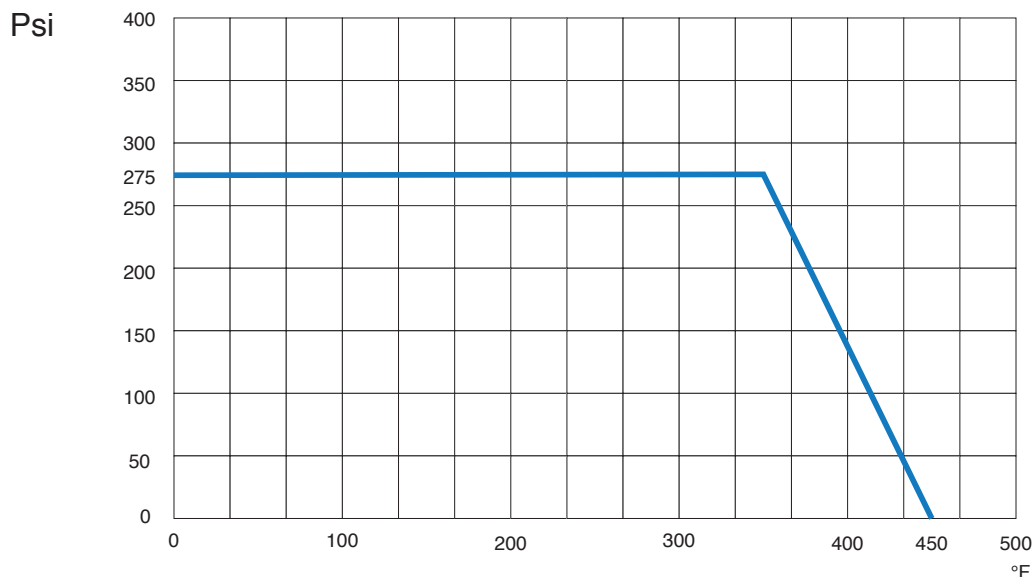
### ACTUATOR FEATURES

- Hard anodized extruded aluminum body
- Concentric spring sets
- Die cast aluminum end caps
- Solid steel barstock pinion (not casting)
- 0°-90° rotation adjustment cam
- 0°-90° rotation adjustment bolts
- POM piston guides
- Minimum air pressure rating: 80 psi
- Maximum air pressure rating: 116 psi
- Working temperature: -4°F - 302°F
- No lubrication maintenance required for the entire actuator lifetime
- 100% factory tested

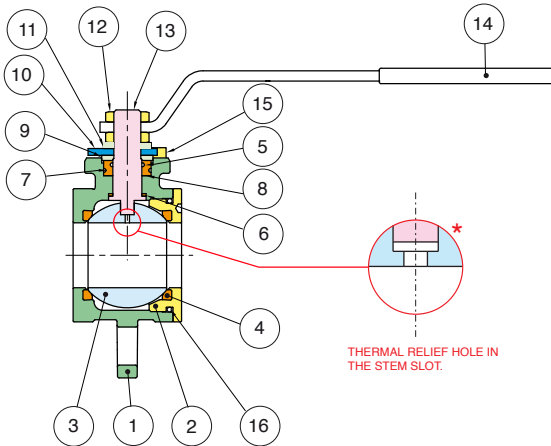
### VALVE FEATURES

- Stainless Steel, ANSI class 150 flanged
- Full port, sizes 1" to 4"
- Temperature range -4°F to 450°F
- Blow-out proof stem
- 25% Carbon filled P.T.F.E. seats, packing and thrust washer
- Thermal relief hole in stem slot
- Space saving design
- 100% tested
- TUV T.A. Luft approved
- Anti-static stem device
- Steam service trim (200 WSP)
- ISO 5211 mounting pad with double "D" stem
- Complies with NACE MR 0175/ISO 15156

### PRESSURE - TEMPERATURE CHART FOR SERIES 725002



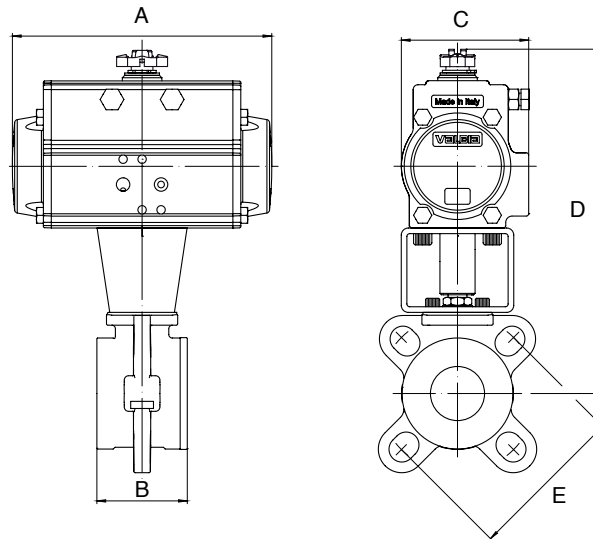
## BILL OF MATERIALS FOR 725002



N POS	PART NAME	MATERIAL	N PCS
1	BODY	A351 CF8M	1
2	END CONNECTION	A479-316	1
3	BALL	A479-316/A351 CF8M	1
4	BALL SEATS	R.P.T.F.E.	2
5	O-RING	FKM (Viton®)	1
6	THRUST WASHER	P.T.F.E.	1
7	RING	FKM (Viton®)	1
8	STEM SEAL	P.T.F.E.	1

N POS	PART NAME	MATERIAL	N PCS
10	END STOP	CARBON STEEL	1
11	SPRING WASHER	CARBON STEEL	2
12	NUT	CARBON STEEL	2
13	STEM	A479-316	1
14	HANDLE	CARBON STEEL	1
15	SCREW	CARBON STEEL	2
16	O-RING	FKM (Viton®)	2

## DIMENSIONS



### 8P725002

725002 W/ **DOUBLE ACTING** ACTUATOR

Size	A	B	C	D	E ANSI	ACT. DA
1"	7.87	1.81	2.79	7.87	150	52
1-1/4"	8.03	2.12	2.79	8.03	150	52
1-1/2"	9.09	2.50	3.18	9.09	150	63
2"	10.11	3.23	3.74	10.11	150	75
2-1/2"	11.57	4.05	4.17	11.57	150	85
3"	11.92	4.80	4.17	11.92	150	85
4"	12.95	5.60	4.84	12.95	150	100

### 8P725003

725002 W/ **SPRING RETURN** ACTUATOR

Size	A	B	C	D	E ANSI	ACT. SR
1"	8.34	1.81	3.18	8.34	150	63
1-1/4"	8.50	2.12	3.18	8.50	150	63
1-1/2"	10.32	2.50	4.17	10.35	150	85
2"	11.18	3.23	4.84	11.19	150	100
2-1/2"	13.42	4.05	5.39	13.42	150	115
3"	14.25	4.80	5.82	14.25	150	125
4"	14.76	5.60	5.82	14.76	150	125