



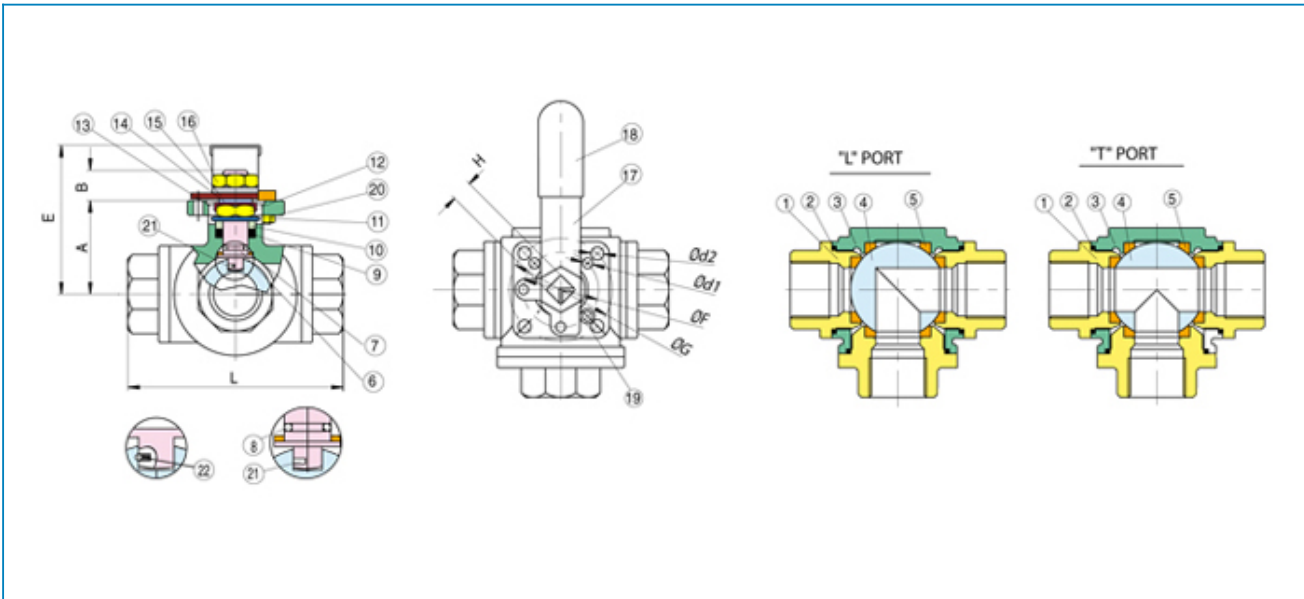
Serie **DIRECT MOUNT 3 WAY BALL VALVE**

Articolo **956N (T) - 966N (L)**

BONOMI NORTH AMERICA

Direct mount stainless steel CF8M three way ball valve with ISO 5211 pad, full and reduced port in sizes 1/2" to 2".

- Self adjusting stem packing.
- Blow-out proof stem design.
- 100% air tested under water at 80 psi.
- Working pressure is 1000 psi (1/4" to 1"), 800 psi (1/4" to 2").
- Temperature range -20° F to 450° F. - ISO 5211 mounting pad.



N POS	PART NAME	MATERIAL	N PCS
1	END CAP	A351 CF8M	3
2	GASKET	P.T.F.E.	3
3	BODY	A351 CF8M	1
4	BALL	SS316	1
5	SEATS	R.T.F.E.	4
6	STEM	SS316	1
7	STEM SEAL	R.P.T.F.E.	1
8	O-RING	VITON	1
9	STEM PACKING	P.T.F.E	1
10	GLAND	SS304	1
11	DISK WASHER	SS301	2
12	STEM NUT	SS304	1
13	NUT STOP	SS304	1
14	SPACE WASHER	SS304	1
15	PLATE STOP	SS304	1
16	HANDLE NUT	SS304	1
17	HANDLE	SS304	1
18	HANDLE SLEEVE	VINYL	1
19	STOPPER	SS304	1
20	PIN NUT	SS304	1
21	INSERT PIN	SS316	1
22	ANTISTATIC DEVICE	SS316	1

full port	A	B	C	Ød1	Ød2	E	ØF	ØG	H	K	L	Port	psi	ISO5211	Lbs 955-965	Lbs 956-966
1/4"	1.45	0.40	5.11	0.23	0.23	2.44	1.41	1.65	0.35	1.41	2.83	0.43	1000	F03/F04	-	1.41
3/8"	1.45	0.40	5.11	0.23	0.23	2.44	1.41	1.65	0.35	1.41	2.83	0.47	1000	F03/F04	-	1.41
1/2"	1.65	0.45	5.11	0.23	0.23	2.51	1.41	1.65	0.35	1.63	3.26	0.59	1000	F03/F04	1.41	1.87
3/4"	1.90	0.59	6.49	0.23	0.27	3.22	1.65	1.96	0.43	1.94	3.89	0.78	1000	F04/F05	1.87	3.21

1"	2.18	0.55	6.49	0.23	0.27	3.50	1.65	1.96	0.43	2.20	4.40	0.98	1000	F04/F05	3.21	4.80
1"1/4	2.48	0.64	8.07	0.27	0.36	3.85	1.96	2.75	0.55	2.46	4.92	1.25	800	F05/F07	4.80	7.23
1"1/2	2.88	0.62	8.07	0.27	0.36	4.25	1.96	2.75	0.55	2.93	5.86	1.49	800	F05/F07	7.23	11.55
2"	3.63	0.88	12.79	0.36	0.44	5.51	2.75	4.01	0.66	3.42	6.85	1.96	800	F07/F10	11.55	20.89

MODEL		VB015	VB030	VB060	VB110	VB190	VB270	VB350
MAX WORKING TORQUE (IN-LBS)		133	266	530	975	1680	2390	3100
VOLTAGE (V)	LOW VOLTAGE	12V AC/DC	12V AC/DC	12V AC/DC	12V AC/DC	12V AC/DC	12V AC/DC	12V AC/DC
		24V AC/DC	24V AC/DC	24V AC/DC	24V AC/DC	24V AC/DC	24V AC/DC	24V AC/DC
	MULTIVOLTAGE	100-240V AC	100-240V AC	100-240V AC	100-240V AC	100-240V AC	100-240V AC	100-240V AC
WORKING TIME (sec)		10	8	9	27	27	50	50
TORQUE LIMITER		STD	STD	STD	STD	STD	STD	STD
DUTY RATING		12VAC/24VAC 50% 12VDC/24VDC 75% 100-240VAC	12VAC/DC 50% 24VAC/DC 75% 100-240VAC	12VAC/DC 50% 24VAC/DC 75% 100-240VAC	12VAC/DC 50% 24VAC/DC 75% 100-240VAC	12VAC/DC 50% 24VAC/DC 75% 100-240VAC	12VAC/DC 50% 24VAC/DC 75% 100-240VAC	12VAC/DC 50% 24VAC/DC 75% 100-240VAC
PROTECTION		IP65	IP67	IP67	IP67	IP67	IP67	IP67
ROTATION		90°	90°	90°	90°	90°	90°	90°
UPON REQUEST		180°	180° or 270°	180° or 270°	180° or 270°	180° or 270°	180° or 270°	180° or 270°
MANUAL OVERRIDE		STD	STD	STD	STD	STD	STD	STD
POSITION INDICATOR		STD	STD	STD	STD	STD	STD	STD
WORKING TEMPERATURE		-4°F + 131°F	-4°F + 131°F	-4°F + 131°F	-4°F + 131°F	-4°F + 131°F	-4°F + 131°F	-4°F + 131°F
HEATER		STD	STD	STD	STD	STD	STD	STD
ADDITIONAL FREE LIMIT SWITCHES		n°2 STD (type SPDT)	n°2 STD (type SPDT)	n°2 STD (type SPDT)	n°2 STD (type SPDT)	n°2 STD (type SPDT)	n°2 STD (type SPDT)	n°2 STD (type SPDT)
DRILLING ISO 5211		*F03 - F05	*F03 - F05	F05 - F07	F07 - F10	F07 - F10	F07 - F10	F07 - F10
SQUARE (in)		0.43	0.43	0.55	0.67	0.67	0.87	0.87
SQUARE UPON REQUEST		0.35	0.35-0.55	0.43-0.67	0.55-0.87	0.55-0.87	0.67	0.67
FAIL-SAFE OPERATION (BATTERY BACKUP)		NOT AVAILABLE	UPON REQUEST	UPON REQUEST	UPON REQUEST	UPON REQUEST	UPON REQUEST	UPON REQUEST
		NOT AVAILABLE FOR MOD. 12V						
POSITIONER STD (4~20mA or 0~10 VDC) REVERSE (20~4mA or 10~0 VDC)		NOT AVAILABLE	UPON REQUEST	UPON REQUEST	UPON REQUEST	UPON REQUEST	UPON REQUEST	UPON REQUEST
LINEAR POTENTIOMETER (5K Ω 1W)		NOT AVAILABLE	UPON REQUEST	UPON REQUEST	UPON REQUEST	UPON REQUEST	UPON REQUEST	UPON REQUEST
ELECTRICAL CONNECTIONS		PG11	PG11	PG11	PG11	PG11	PG11	PG11
WEIGHT (LBS)		3.09	5.07	7.28	10.80	10.80	13.23	13.23

* F04 or F07 upon request.

POWER CONSUMPTION															
MODEL		VB015		VB030		VB060		VB110		VB190		VB270		VB350	
VERSION H	NOMINAL VOLTAGE	100-240V AC													
	ABSORBED CURRENT	0.3-0.19 A		0.4-0.2 A		0.6-0.3 A		0.4-0.2 A		0.6-0.3 A		0.6-0.3 A		0.75-0.4 A	
	ABSORBED POWER	30-46 VA		40-48 VA		60-72 VA		40-48 VA		60-72 VA		60-72 VA		75-96 VA	
VERSION L	NOMINAL VOLTAGE	12V AC/DC	24V AC/DC	12V AC/DC	24V AC/DC	12V AC/DC	24V AC/DC	12V AC/DC	24V AC/DC	12V AC/DC	24V AC/DC	12V AC/DC	24V AC/DC	12V AC/DC	24V AC/DC
	ABSORBED CURRENT	1.2 A	0.6 A	2.2-1.8 A	1-0.7 A	3.8-2.85 A	1.8-1.2 A	2.2-1.8 A	1-0.7 A	3.8-2.85 A	1.8-1.2 A	3.8-2.85 A	1.8-1.2 A	4.75-3.65 A	1.95-1.65 A
	ABSORBED POWER	15 VA		26.5-22 VA	24-17 VA	46-34 VA	43-29 VA	26.5-22 VA	24-17 VA	46-34 VA	43-29 VA	46-34 VA	43-29 VA	57-44 VA	47-40 VA
FREQUENCY		50/60 HZ													

