



JOB NAME:	CONTRACTOR:
JOB LOCATION:	APPROVAL:
ENGINEER:	CONTRACTOR P.O.:
APPROVAL:	REPRESENTATIVE:

8E075-00* - 8E083-00* - 8E084-00*
FNPT THREADED SOCKET WELD BUTT WELD

710003 BRACKET MOUNTED, 3-PC, 2-WAY CARBON STEEL, FULL PORT BALL VALVE IN NPT, SOCKET WELD OR BUTT WELD W/VALBIA ELECTRIC ACTUATOR SIZES 1/4" TO 4"

*001	12V AC/DC	*002	24V AC/DC	*003	100-240V AC
01	BATTERY BACKUP	*02*	POSITIONER	*04*	BATTERY BACKUP W POSITIONER

SPECIFICATIONS

The Bonomi 8E075/8E083/8E084 series features a three-piece, up to 1000 psi, full port carbon steel ball valve, with either threaded, socket weld, or butt weld end connections. The valve also features an ISO mounting pad, and meets NACE MR 0175 and NACE MR0103.

The actuator is a Valbia VB series, incorporating standard dual voltages, 2 extra limit switches, a heater & thermostat, torque limiter, ISO dual patterns, square drive, position indicator, PG11 connections, and a 75% duty cycle. Optional equipment includes positioning boards, and battery back-up fail safe models. A bracket connects the valve to the actuator to prevent the expansion of high heat to the actuator.

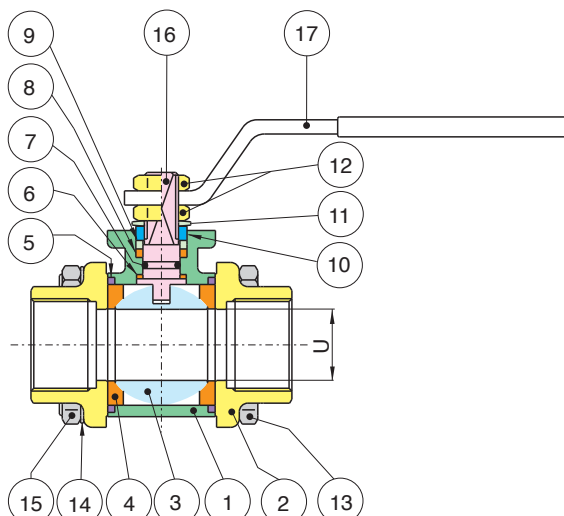
ACTUATOR FEATURES

- NEMA 4, 4X Housing
- 12V/24V AC/DC and 100-240V AC Models Available
- ISO 5211 dual patterns
- VB015 -12/24V AC - 50% Duty Cycle
- VB030-VB060 - 12/24V DC and 100-240V AC - 75% Duty Cycle
- High-Strength, Impact Resistant IP67 Technopolymer Housing
- Temperature Range -4°F to 131°F
- PG11 Electrical Connection/Optional 1/2" Conduit

VALVE FEATURES

- 3-piece WCB body
- Full port, sizes 1/4" to 4"
- ISO 5211 mounting pad
- Pressure rating 1/4" to 1/2" 1000 psi
- Pressure rating 3/4" to 1" 600 psi
- Pressure rating 1-1/4" to 3" 350 psi
- Pressure rating 2-1/2" to 4" 230 psi
- All sizes 150 psi steam
- Temperature range -4°F to +366°F
- Blow out proof stem, multi-layer V-ring adjustable stem packing

BILL OF MATERIALS FOR 710003/714000/715000



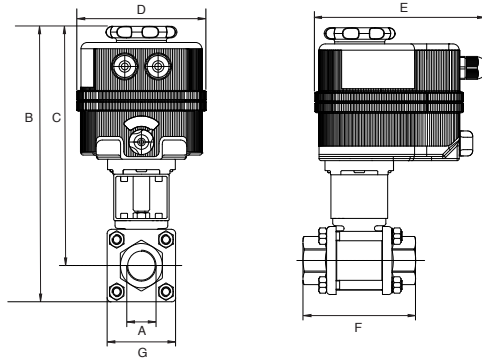
N POS	PART NAME	MATERIAL	N POS
1	BODY	ASTM A105-WCB	1
2	END CAP	ASTM A105-WCB	2
3	BALL	AISI 304-CF8M	1
4	BALL SEAT	P.T.F.E.	2
5	SEAL	P.T.F.E.	2
6	STEM SEAL	R.T.F.E.	1
7	O-RING	VITON	1
8	STEM SEAL	P.T.F.E.	1
9	PACKING GLAND	STEEL	1

N POS	PART NAME	MATERIAL	N POS
10	END STOP	AISI 430 (1/4" - 2")	2
		STEEL (2-1/2" - 4")	1
11	SPRING WASHER	STEEL (2-1/2" - 4")	2
12	NUT	STEEL	2
13	BOLT	STEEL (1/4" - 2")	4
		STEEL (2-1/2" - 4")	6
14	WASHER	STEEL (1/4" - 2")	4
		STEEL (2-1/2" - 4")	6
15	NUT	STEEL (1/4" - 2")	4
		STEEL (2-1/2" - 4")	6
16	STEM	AISI 304	1
17	HANDLE	STEEL	1

*VARIES WITH SIZE

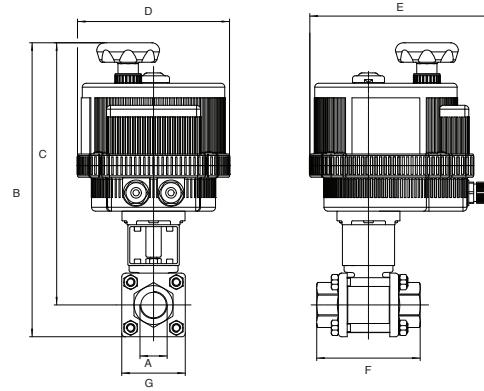
VB015

SIZES 1/4" THROUGH 1-1/4"



VB030-VB190

SIZES 1-1/2" THROUGH 4"



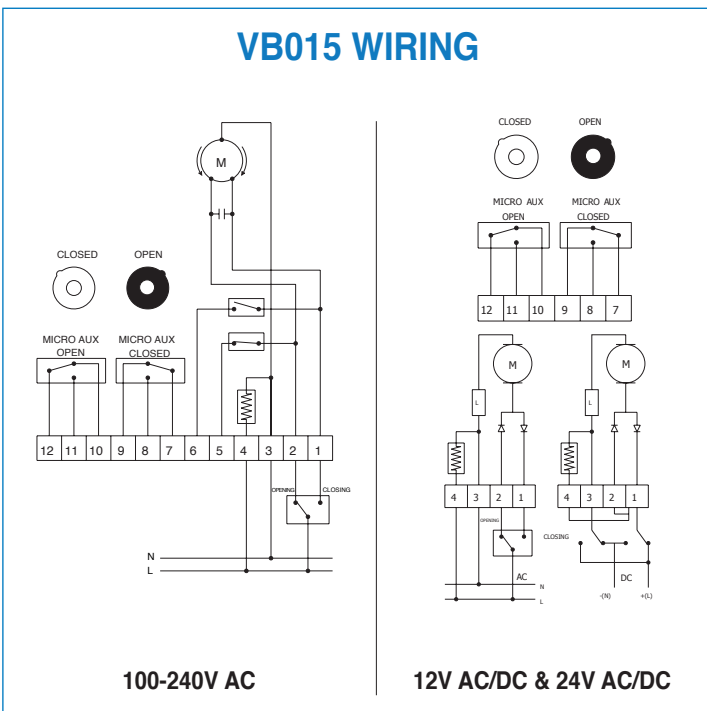
DIMENSIONS

Size	A	B	C	D	E	F	G	ACT.
1/4"	.250	8.07	7.40	4.84	6.46	2.24	1.30	VB015
3/8"	.375	8.07	7.40	4.84	6.46	2.24	1.30	VB015
1/2"	.500	8.47	7.72	4.84	6.46	2.56	1.50	VB015
3/4"	.750	9.92	9.02	4.84	6.46	2.99	1.85	VB015
1"	1.00	12.1	10.9	6.18	7.52	3.62	2.28	VB030
1-1/4"	1.25	12.4	11.1	6.18	7.52	4.21	2.64	VB030
1-1/2"	1.50	14.4	12.9	7.28	8.47	4.57	3.00	VB060
2"	2.00	15.0	13.2	7.28	8.47	5.35	3.54	VB060
2-1/2"	2.50	17.0	14.4	8.31	9.33	6.06	5.28	VB110
3"	3.00	18.0	14.8	8.31	9.33	7.09	6.39	VB110
4"	4.00	20.0	16.3	8.31	9.33	8.54	7.48	VB190

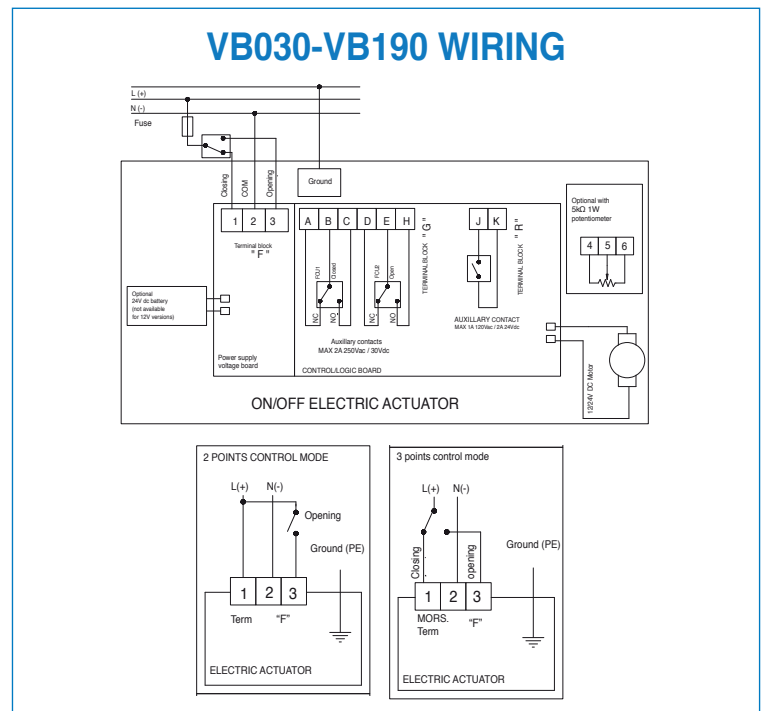
ON/OFF WIRING DIAGRAMS

12V AC/DC, 24V AC/DC & 100-240VAC

VB015 WIRING

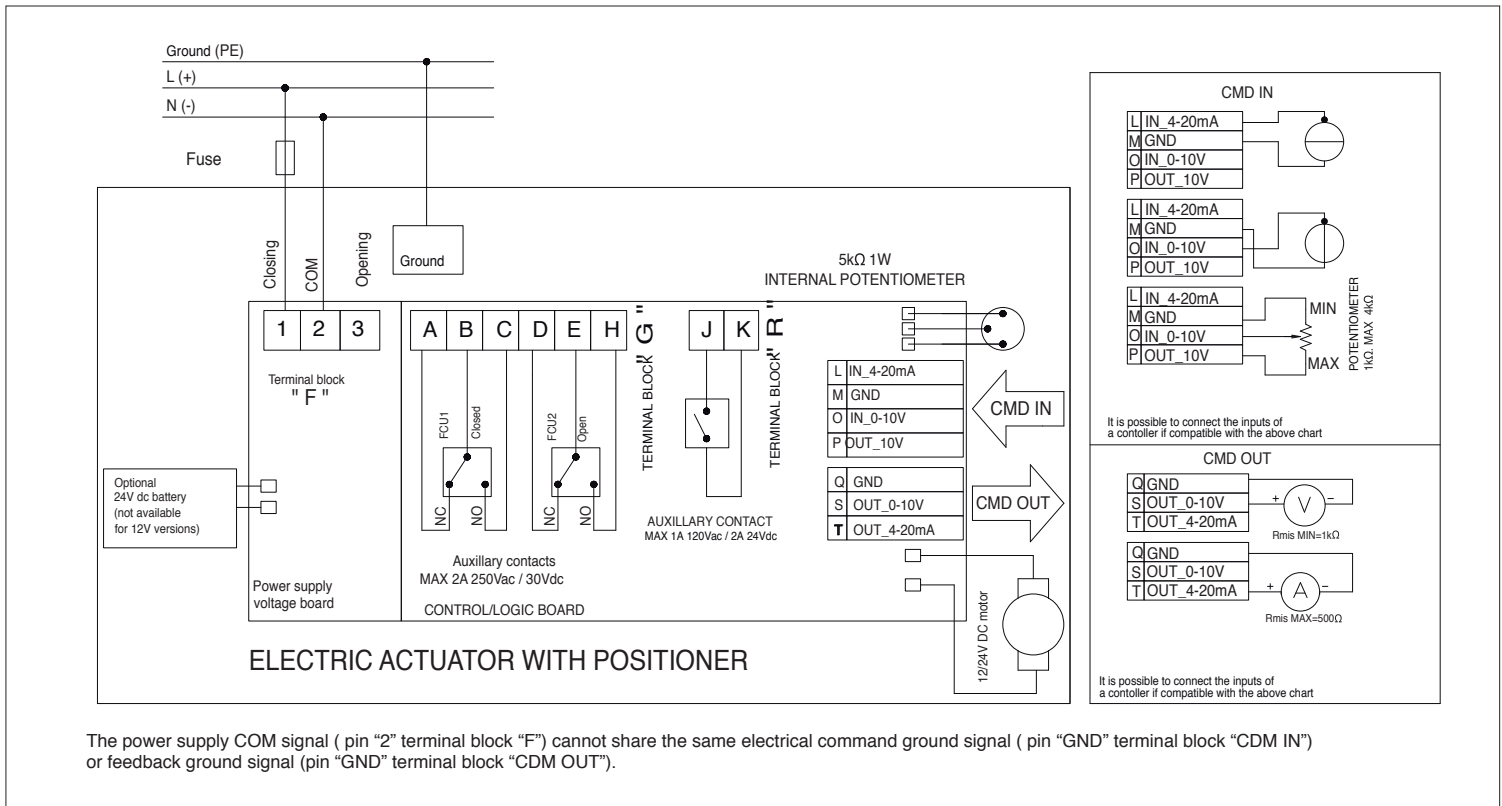


VB030-VB190 WIRING



POSITIONER WIRING DIAGRAM

12V AC/DC, 24V AC/DC & 100-240VAC



3-POSITION WIRING DIAGRAM

12V AC/DC, 24V AC/DC & 100-240VAC

