



JOB NAME:	CONTRACTOR:
JOB LOCATION:	APPROVAL:
ENGINEER:	CONTRACTOR P.O.:
APPROVAL:	REPRESENTATIVE:

8E3000-00*

700LL 2-WAY STAINLESS STEEL, FNPT THREADED DIRECT MOUNT BALL VALVE WITH VALBIA ELECTRIC ACTUATOR AND BRACKET

SIZES 1/4" TO 2"

*001	12V AC/DC	*002	24V AC/DC	*003	100-240V AC
01	BATTERY BACKUP	*02*	POSITIONER	*04*	BATTERY BACKUP W POSITIONER

SPECIFICATIONS

The Bonomi 8E3000 series electric actuated package features a 3000psi carbon steel ball valve, with an ISO 5211 direct mount pad and square stem. The valve also features Delrin seats and an investment cast WCB body.

The Valbia electric VB series actuator fits directly over the 3000-series square stem and ISO 5211 pad. The actuator also is standardly furnished with dual voltages, two extra limit switches, torque limiter, extended manual override, 75% duty cycle motor, in a IP 67, NEMA 4, 4X techno polymer housing.

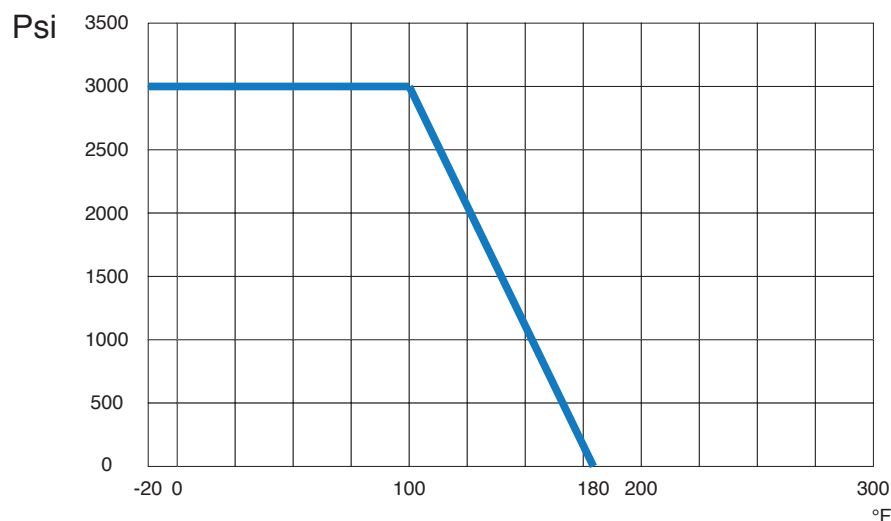
ACTUATOR FEATURES

- NEMA 4, 4X Housing
- 12V/24V AC/DC and 100-240V AC Models Available
- ISO 5211 dual patterns
- VB015 -12/24V AC - 50% Duty Cycle
- VB030-VB110 - 12/24V DC and 100-240V AC - 75% Duty Cycle
- High-Strength, Impact Resistant IP67 Technopolymer Housing
- Temperature Range -4°F to 131°F
- PG11 Electrical Connection/Optional 1/2" Conduit

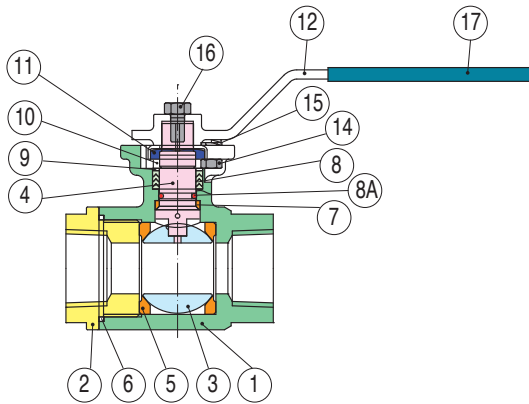
VALVE FEATURES

- 2-piece CF8M body
- Full port, sizes 1/4" to 1-1/2"
- Reduced port, sizes 2"
- Blow out proof stem/anti-static design
- Pressure rating 3000 psi (100°F)
- Temperature range -20°F to 185°F
- ISO 5211 mounting pad

PRESSURE - TEMPERATURE CHART FOR SERIES 3000



BILL OF MATERIALS FOR 3000

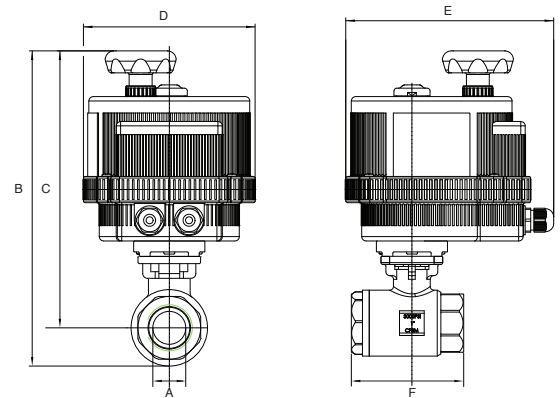


N POS	PART NAME	MATERIAL	N PCS
1	BODY	WCB	1
2	END CAP	WCB	1
3	BALL	CF8M	1
4	ANTI-STATIC STEM	SS 316	1
5	BALL SEAT	DELTRIN	2
6	BODY SEAL	P.T.F.E.	1
7	THRUST WASHER	P.T.F.E.	1
8	STEM PACKING	P.T.F.E.	1
8A	O-RING	VITON	1

N POS	PART NAME	MATERIAL	N PCS
9	THRUST WASHER	50% SS - 50% P.T.F.E.	1
10	STEM NUT	SS 304	1
11	LOCK SADDLE	SS 304	1
12	HANDLE	SS 304	1
13	STOP BOLT	SS 304	1
14	STOP NUT	SS 304	1
15	STOP WASHER	SS 304	1
16	HANDLE BOLD	SS 304	1
17	HANDLE SLEEVE	VINYL	1

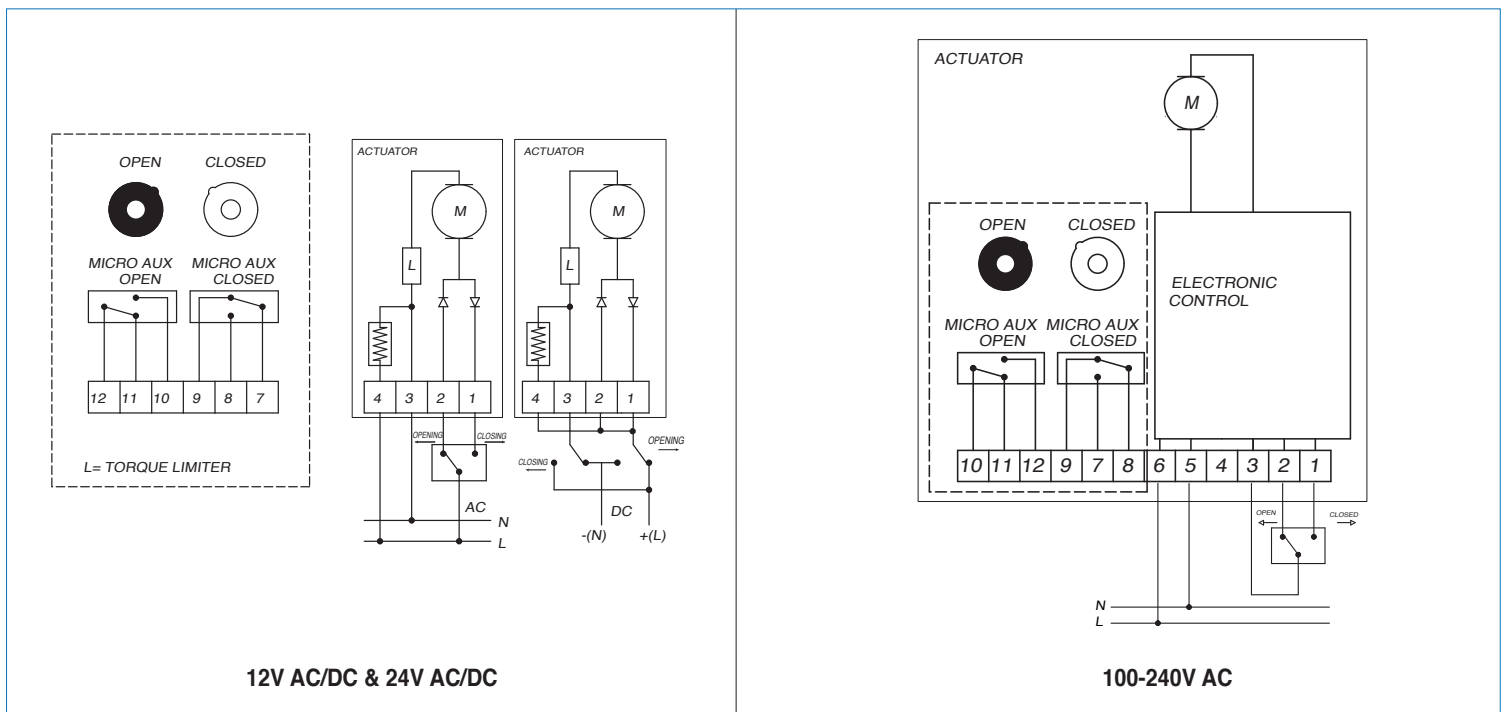
DIMENSIONS

Size	1/4"	3/8"	1/2"	3/4"	1"	1-1/4"	1-1/2"	2"
A	0.38	0.38	0.50	0.69	0.87	1.14	1.37	1.37
B	8.50	8.50	10.33	10.53	11.24	12.68	13.84	13.84
C	7.18	7.18	9.01	9.12	9.51	10.78	11.42	11.42
D	4.84	4.84	6.18	6.18	6.18	7.28	7.28	7.28
E	6.41	6.41	7.48	7.48	7.48	8.43	8.43	8.43
F	2.95	2.95	2.95	3.19	3.58	4.33	4.76	5.71
Act.	VB015	VB015	VB030	VB030	VB030	VB060	VB060	VB060



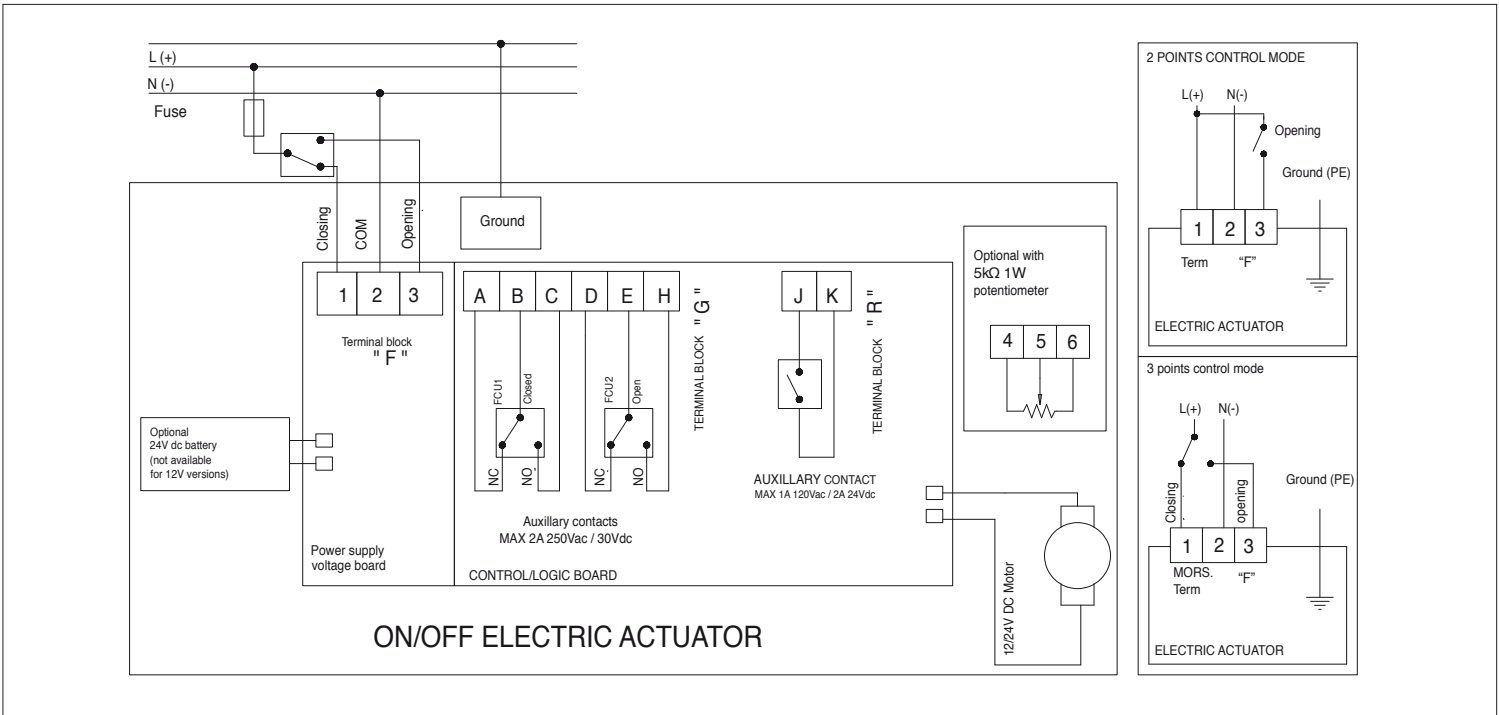
ON/OFF WIRING DIAGRAM - VB015

12V AC/DC, 24V AC/DC & 100-240VAC



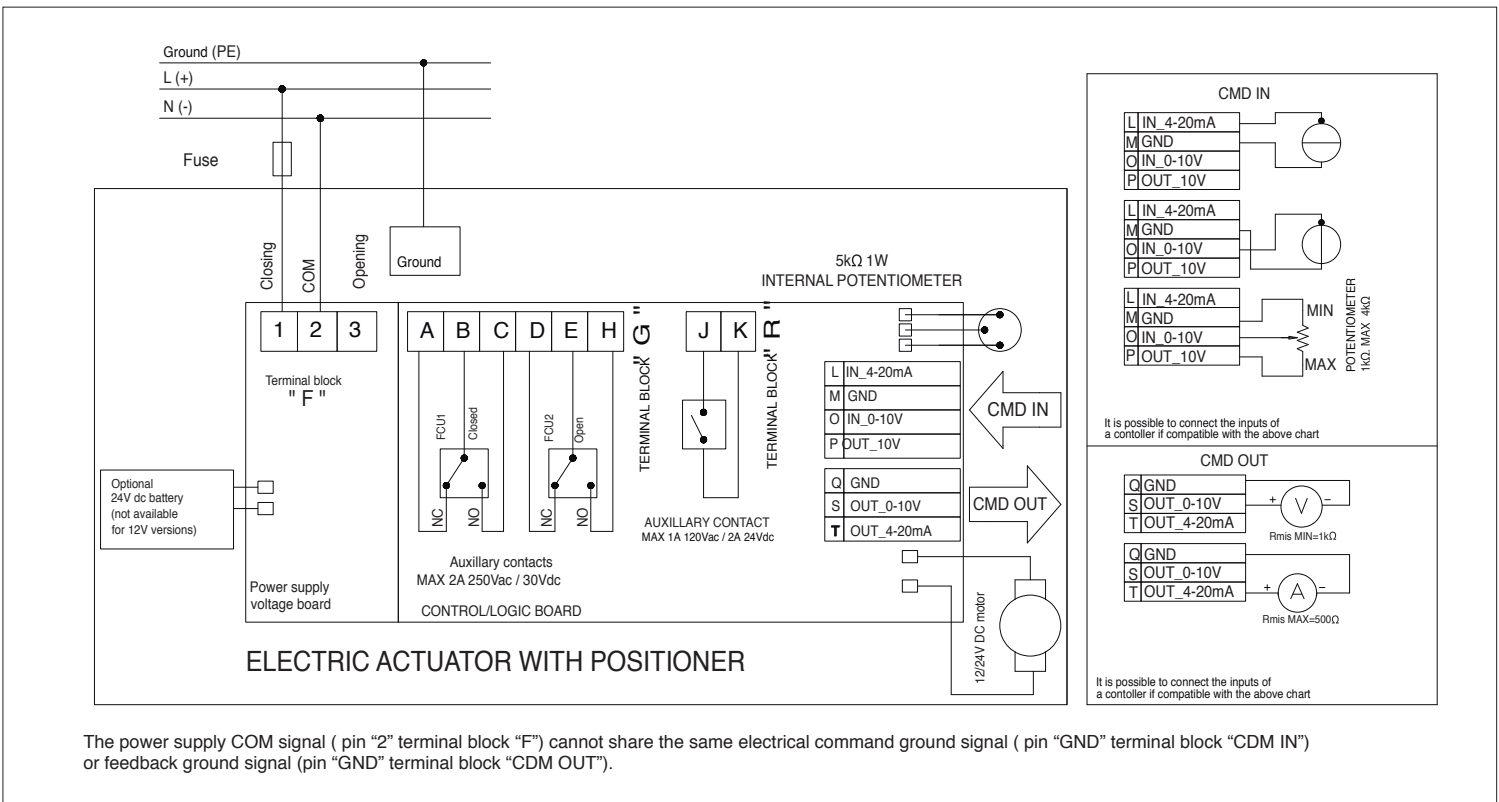
ON/OFF WIRING DIAGRAM - VB030 -VB060

12V AC/DC, 24V AC/DC & 100-240VAC



POSITIONER WIRING DIAGRAM - VB030 -VB060

12V AC/DC, 24V AC/DC & 100-240VAC



The power supply COM signal (pin "2" terminal block "F") cannot share the same electrical command ground signal (pin "GND" terminal block "CDM IN") or feedback ground signal (pin "GND" terminal block "CDM OUT").