

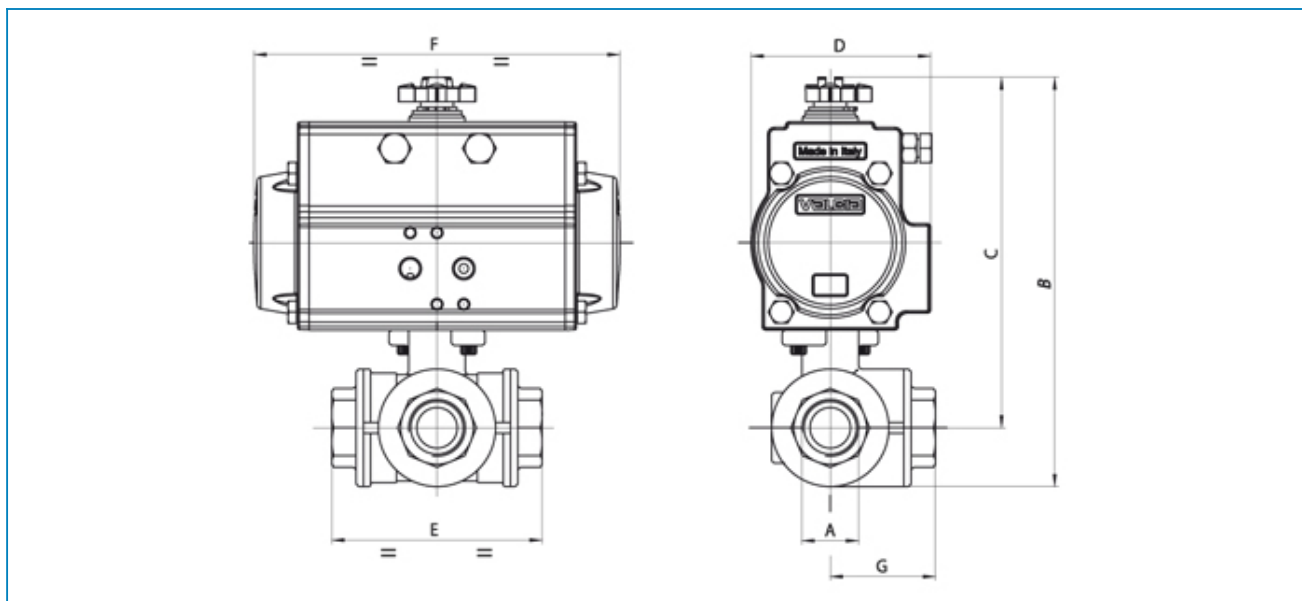


Serie **PNEUMATIC ACTUATORS**

Articolo **8P0140(L) - 8P0142(L)**

- DA-SR actuator with 3-way "L" stainless steel ball valve, standard port, direct mount. (Bonomi NA 965N).

- OPERATING CONDITIONS: fluid H2O - T 68°F - Actuator P 90 ÷ 100 PSI



Art 8P0140

VALVE WITH DOUBLE ACTING ACTUATOR

PSI	1000	1000	1000	1000	1000	800	800	800
DN - A standard port	-	1/2"	3/4"	1"	1 1/4"	1 1/2"	2"	-
B	6.23	6.23	6.56	7.2	7.96	9.17	10.47	12.2
C	5.45	5.45	5.65	6.1	6.63	7.64	8.59	9.84
D	2.8	2.8	2.8	3.17	3.17	3.72	4.17	4.84
E	2.83	2.83	3.26	3.89	4.4	4.92	5.86	6.85
F	5.55	5.55	5.55	6.46	6.46	8.27	9.47	10.83
G	1.41	1.41	1.63	1.94	2.2	2.46	2.93	3.42
ACT.	DA 52	DA 52	DA 52	DA 63	DA 63	DA 75	DA 85	DA 100

Art.8P0142

VALVE WITH SPRING RETURN ACTUATOR

PSI	1000	1000	1000	1000	1000	800	800	800
DN - A standard port	-	1/2"	3/4"	1"	1 1/4"	1 1/2"	2"	-
B	6.66	6.68	7.01	7.91	8.67	10.22	10.97	14.04
C	5.9	5.9	6.1	6.81	7.34	8.69	9.09	11.68
D	3.17	3.17	3.17	3.72	3.72	4.84	4.84	5.83
E	2.83	2.83	3.26	3.89	4.40	4.92	5.86	6.85
F	6.46	6.46	6.46	8.27	8.27	10.83	10.83	14.65
G	1.41	1.41	1.63	1.94	2.20	2.46	2.93	3.42
ACT.	SR 63	SR 63	SR 63	SR 75	SR 75	SR 100	SR 100	SR 125