



Serie **GAS BALL VALVE**

Articolo **9280**

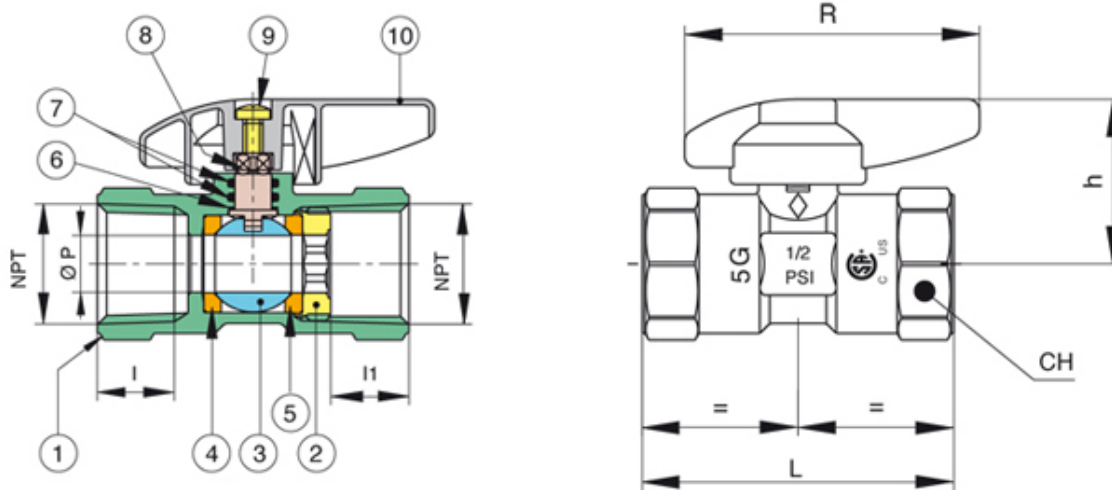
FIP-FIP

- Gas ball valve unibody design, standard port, threaded end.
 According to:
- CAN 1-9.1 - US REQUIREMENTS 3-88.
 - CGA CR 91-002 - ANSI Z21.15
 - UL 125 "LP GAS" - UL 842 - SUBJECT 258.
 - Blow out proof stem, chrome plated brass ball.
 - P.T.F.E. seats.
 - 100% electronically tested in the open and closed position at 80 psi.

MEETS THE DESIGN CRITERIA OF MSS_SP_110

ONE PIECE BODY

CONNECTION: ANSI B 1.20.1



N Pos	PART NAME	MATERIAL	N PCS
1	BODY	BRASS CW 617N UNI EN 12165	1
2	RATAINING NUT	BRASS CW 614N UNI EN 12164	1
3	BALL	BRASS CW 614N UNI EN 12164	1
4	BALL SEAT	P.T.F.E	1
5	BALL SEAT	P.T.F.E	1
6	THRUST WASHER	P.T.F.E	1
7	O-RING	NBR	2
8	STEM	BRASS CW 614N UNI EN 12164	1
9	SCREW	Steel 6/S	1
10	HANDLE	ZAMA G Zn Al4 UNI 3717	1

SIZE	ØP	I	I1	L	R	CH	h	Lbs
3/8" FIP X 3/8" FIP	0.31	0.40	0.40	1.69	2.05	0.78	1.06	0.20
1/2" FIP X 1/2" FIP	0.39	0.53	0.54	2.16	2.05	0.98	1.14	0.31
3/4" FIP X 3/4" FIP	0.47	0.55	0.56	2.36	2.05	1.22	1.28	0.49



