



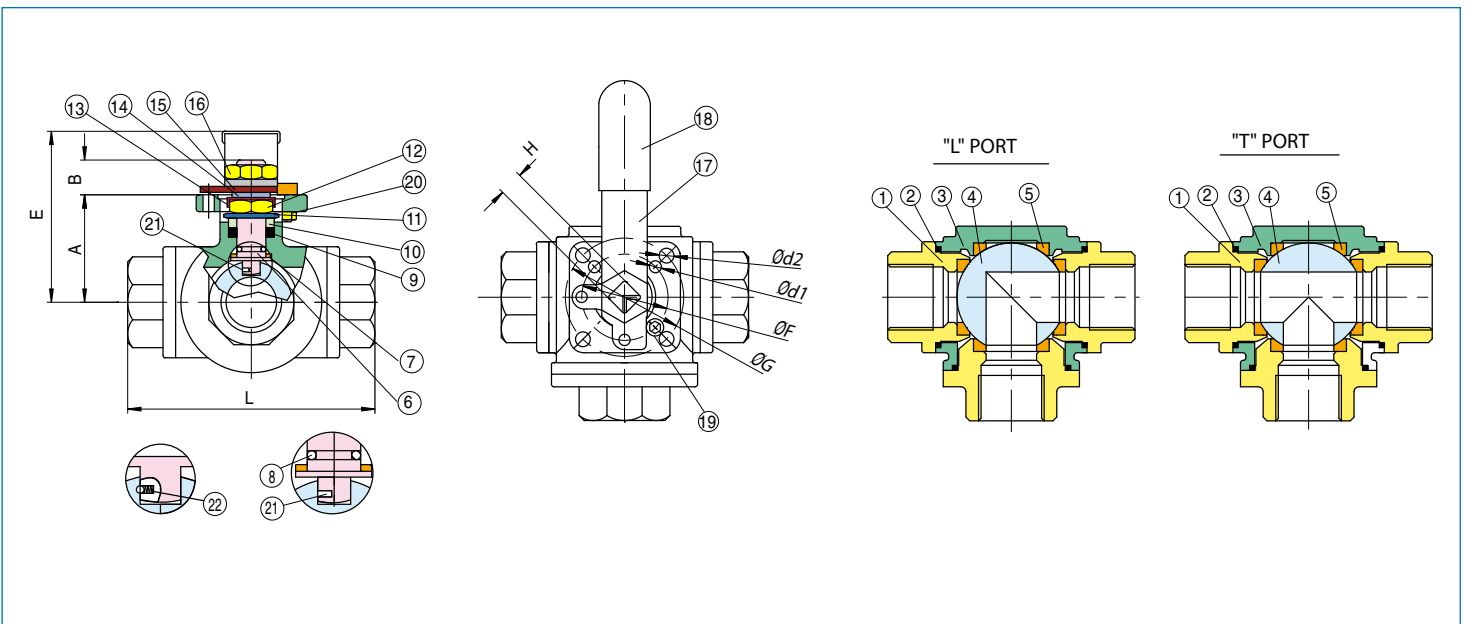
## SERIES 955N (T) - 965N (L) • STANDARD PORT

## SERIES 956N (T) - 966N (L) • FULL PORT

### DIRECT MOUNT 3 WAY BALL VALVE

Direct mount stainless steel CF8M three way ball valve with ISO 5211 pad, full and reduced port in sizes 1/2" to 2".

- Self adjusting stem packing.
- Blow-out proof stem design.
- 100% air tested under water at 80 psi.
- Working pressure is 1000 psi (1/4" to 1"), 800 psi (1/4" to 2").
- Temperature range -4° F to 450° F.
- ISO 5211 mounting pad.



	PART NAME	MATERIAL	N PCS
1	END CAP	A351 CF8M	3
2	GASKET	P.T.F.E.	3
3	BODY	A351 CF8M	1
4	BALL	SS316	1
5	SEATS	R.T.F.E.	4
6	STEM	SS316	1
7	STEM SEAL	R.P.T.F.E.	1
8	O-RING	FKM (Viton®)	1
9	STEM PACKING	P.T.F.E.	1
10	GLAND	SS304	1
11	DISK WASHER	SS301	2
12	STEM NUT	SS304	1
13	NUT STOP	SS304	1
14	SPACE WASHER	SS304	1
15	PLATE STOP	SS304	1
16	HANDLE NUT	SS304	1
17	HANDLE	SS304	1
18	HANDLE SLEEVE	VINYL	1
19	STOPPER	SS304	1
20	PIN NUT	SS304	1
21	INSERT PIN	SS316	1
22	ANTISTATIC DEVICE	SS316	1

FULL PORT	STANDARD PORT	A	B	C	Ød1	Ød2	E	ØF	ØG	H	K	L	Port	psi	ISO5211	Lbs 955-965	Lbs 956-966
1/4"	-	1.45	0.40	5.11	0.23	0.23	2.44	1.41	1.65	0.35	1.41	2.83	0.43	1000	F03/F04	-	1.41
3/8"	1/2"	1.45	0.40	5.11	0.23	0.23	2.44	1.41	1.65	0.35	1.41	2.83	0.47	1000	F03/F04	-	1.41
1/2"	3/4"	1.65	0.45	5.11	0.23	0.23	2.51	1.41	1.65	0.35	1.63	3.26	0.59	1000	F03/F04	1.41	1.87
3/4"	1"	1.90	0.59	6.49	0.23	0.27	3.22	1.65	1.96	0.43	1.94	3.89	0.78	1000	F04/F05	1.87	3.21
1"	1"1/4"	2.18	0.55	6.49	0.23	0.27	3.50	1.65	1.96	0.43	2.20	4.40	0.98	1000	F04/F05	3.21	4.80
1"1/4"	1"1/2"	2.48	0.64	8.07	0.27	0.36	3.85	1.96	2.75	0.55	2.46	4.92	1.25	800	F05/F07	4.80	7.23
1"1/2"	2"	2.88	0.62	8.07	0.27	0.36	4.25	1.96	2.75	0.55	2.93	5.86	1.49	800	F05/F07	7.23	11.55
2"	-	3.63	0.88	12.79	0.36	0.44	5.51	2.75	4.01	0.66	3.42	6.85	1.96	800	F07/F10	11.55	20.89

