



JOB NAME:	CONTRACTOR:
JOB LOCATION:	APPROVAL:
ENGINEER:	CONTRACTOR P.O.:
APPROVAL:	REPRESENTATIVE:

## DAN500N

**N500N** RUBBER-LINED DIRECT MOUNT, WAFER STYLE BUTTERFLY VALVE WITH EPDM SEATS AND NYLON DISC WITH **DOUBLE ACTING** PNEUMATIC ACTUATOR

## DAN500S

**N500S** RUBBER-LINED DIRECT MOUNT, WAFER STYLE BUTTERFLY VALVE WITH EPDM SEATS AND SS DISC WITH **DOUBLE ACTING** PNEUMATIC ACTUATOR

SIZES 2" TO 12"

E530S - VITON SEATS | E540N/E540S - BUNA SEATS

## SRN500N

**N500N** RUBBER-LINED DIRECT MOUNT, WAFER STYLE BUTTERFLY VALVE WITH EPDM SEATS AND NYLON DISC WITH **SPRING RETURN** PNEUMATIC ACTUATOR

## SRN500S

**N500S** RUBBER-LINED DIRECT MOUNT, WAFER STYLE BUTTERFLY VALVE WITH EPDM SEATS AND SS DISC WITH **SPRING RETURN** PNEUMATIC ACTUATOR

SIZES 2" TO 12"

### SPECIFICATIONS

Bonomi North America series DAN500N/ DAN500S/SRN500N/N/SRN500S feature the N500N and N500S, Direct mount cast iron wafer style, epoxy coated, resilient seat butterfly valves in sizes 1-1/2"-12", with EPDM seat are NSF/ ANSI 61/372 certified. The N500N offers a nylon coated disc, while the N500S has a stainless steel disc. This series shall offer a dual stem design and ISO 5211/DIN 3337 direct mounting for high cycle au-tomation capabilities.

In addition, the N500N-N500S series features a phenolic-backed cartridge seat design which offers a 250 CWP maximum pressure rating, and conforms to ANSI B16.1.

The Valbia pneumatic actuator comes with a hard-anodized aluminum body, and powder coated end caps. In addition, all Valbia pneumatic actuators are standardly furnished with elevated temperature seals to 302F. The patented side loaded limit stops never enter the piston chamber eliminating extra possible leak paths.

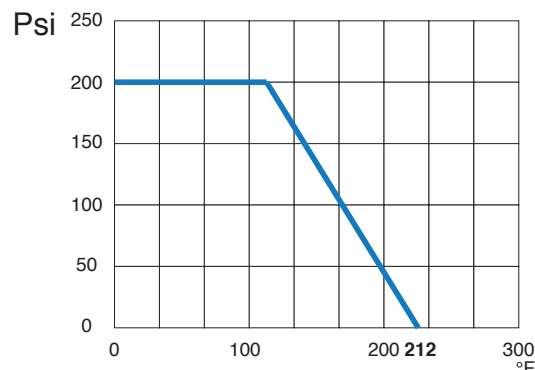
### ACTUATOR FEATURES

- Hard anodized extruded aluminum body
- Concentric spring sets
- Die cast aluminum end caps
- Solid steel barstock pinion (not casting)
- 0°-90° rotation adjustment cam
- 0°-90° rotation adjustment bolts
- POM piston guides
- Minimum air pressure rating: 80 psi
- Maximum air pressure rating: 116 psi
- Working temperature: -4°F - 302°F
- No lubrication maintenance required for the entire actuator lifetime
- 100% factory tested

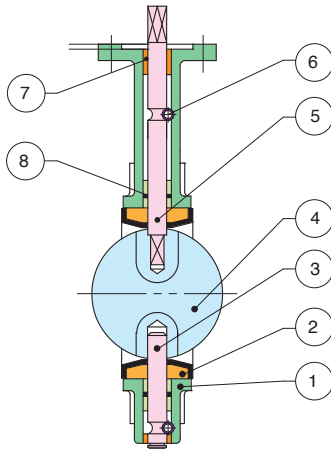
### VALVE FEATURES

- ISO 5211 Direct Mount/Square Stem
- Epoxy coated Ductile Iron Wafer body
- EPDM resilient seat (-30°F TO 250°F)
- 530S - VITON seats (10°F TO 300°F)
- 540N/540S - BUNA seats (10°F TO 250°F)
- API609 face to face flange
- Floating dual shaft disc design
- MSS SP 67 compliant
- No pins in disc prevent potential leak points
- NSF/ANSI 61, 372 approved

### PRESSURE - TEMPERATURE CHART FOR SERIES N500N/N500S

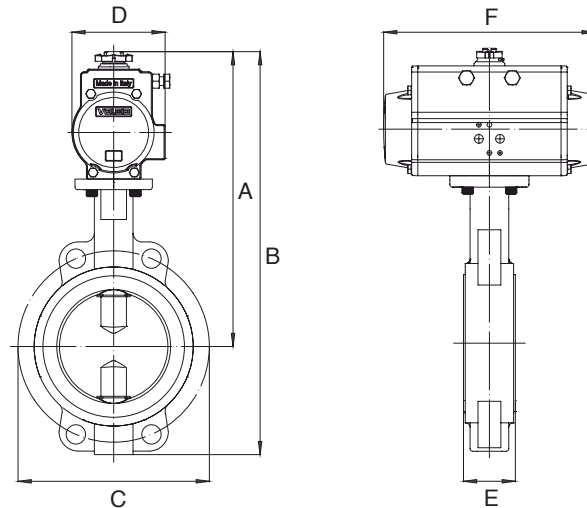


## BILL OF MATERIALS FOR N500N/N500S



N POS	PART NAME	MODEL	MATERIAL	N PCS
1	BODY		CAST IRON	1
2	SEAT	N500N/N500S	EPDM (-30°F TO 250°F)	1
		530S	VITON (10°F TO 300°F)	
		540N/540S	BUNA (10°F TO 250°F)	
3	LOWER SHAFT		SS416	1
4	DISC 500N		CAST IRON / NYLON 11 COATED	1
	DISC 500S		STAINLESS STEEL	
5	UPPER SHAFT		SS416	1
6	LOCATING PIN		CARBON STEEL	1
7	BUSHING		P.T.F.E.	1
8	O-RING		EPDM	1
9	LEVER		EPOXY-COATED CARBON STEEL	1

## DIMENSIONS



**DAN500N**  
**DAN500S**

N500N W/ **DOUBLE ACTING** ACTUATOR  
N500S W/ **DOUBLE ACTING** ACTUATOR

**SRN500N**  
**SRN500S**

N500N W/ **SPRING RETURN** ACTUATOR  
N500S W/ **SPRING RETURN** ACTUATOR

Size	A	B	C	D	E	F	ACT. DA
1-1/2"*	9.71	12.68	4.74	2.80	1.61	5.55	52
2"	10.34	13.49	4.74	2.80	1.65	5.55	52
2-1/2"	10.89	14.39	5.49	2.80	1.70	5.55	52
3"	11.58	15.32	6.00	3.17	1.78	6.46	63
4"	13.03	17.52	7.50	3.72	2.05	8.27	75
5"	14.05	19.05	8.50	4.17	2.14	9.47	85
6"	15.12	20.59	9.50	4.17	2.19	9.47	85
8"	17.63	24.52	11.75	4.84	2.38	10.83	100
10"	20.44	29.43	14.25	6.46	2.58	17.13	140
12"	23.15	32.68	17.00	7.32	3.03	19.69	160

Size	A	B	C	D	E	F	ACT. SR
1-1/2"*	10.87	13.84	4.74	3.72	1.61	8.27	75
2"	11.50	14.65	4.74	3.72	1.65	8.27	75
2-1/2"	12.05	15.55	5.49	3.72	1.76	8.27	75
3"	12.84	16.58	6.00	4.17	1.78	9.47	85
4"	14.08	18.57	7.50	4.84	2.05	10.83	100
5"	15.91	20.91	8.50	5.39	2.14	13.11	115
6"	17.84	23.31	9.50	5.83	2.19	14.65	125
8"	20.12	27.01	11.75	7.32	2.38	19.69	160
10"	23.63	31.62	14.25	8.54	2.58	22.76	200
12"	C/F	C/F	C/F	C/F	C/F	C/F	C/F

\* Available on DAN500S Only

\* Available on SRN500S Only