



JOB NAME:	CONTRACTOR:
JOB LOCATION:	APPROVAL:
ENGINEER:	CONTRACTOR P.O.:
APPROVAL:	REPRESENTATIVE:

M8E064LF-00*

250NLF DIRECT MOUNT, 2-WAY LEAD FREE BRASS, FULL PORT BALL VALVE W METAL ELECTRIC ACTUATOR

SIZES 1/2" TO 2"

*001	12V AC/DC	*002	24V AC/DC	*003	100-240V AC
01	BATTERY BACKUP	*02*	POSITIONER	*04*	BATTERY BACKUP W POSITIONER

SPECIFICATIONS

Bonomi North America series M8E064LF lead-free brass automated ball valve package features a rugged NEMA 4 metal housing and a full port 600 psi lead free brass ball valve.

The electric actuator is loaded with extras such as: either a dual 100-240VAC or a 24AC/DC motor, a 12VDC option, two additional limit switches, a heat/thermostat, dome position indicator, dual ISO patterns, 75% duty cycle, 1/2" conduit connections and more.

The valve is the very popular 250NLF series, lead-free, full port, low torque, with double O-ring stem seals for temperature fluctuation protection. The 250NLF lead free ball valves come in sizes 1/2" -2", and is NSF 61/372 certified for potable water use.

The valve also features a four point ISO mounting pad, and a square stem for direct mounting.

The M8E064 series package can be mounted either vertically or horizontally without the damage to the stem area.

ACTUATOR FEATURES

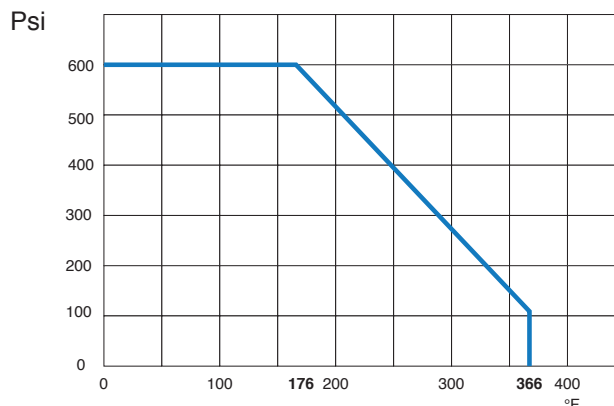
- Dual Motors
- 24V AC/DC and 100-240V AC Models Available
- ISO 5211, F03/F05 base with 11mm female drive
- 75% Duty Cycle
- Anti-condensation heater, (when red wire is connected to power)
- High-Strength, Die Cast Aluminum Powder Coated Housing
- Temperature Range -4°F to 131°F
- NEMA 4 Housing
- Two Auxiliary Switches Standard
- Torque limiter standard

VALVE FEATURES

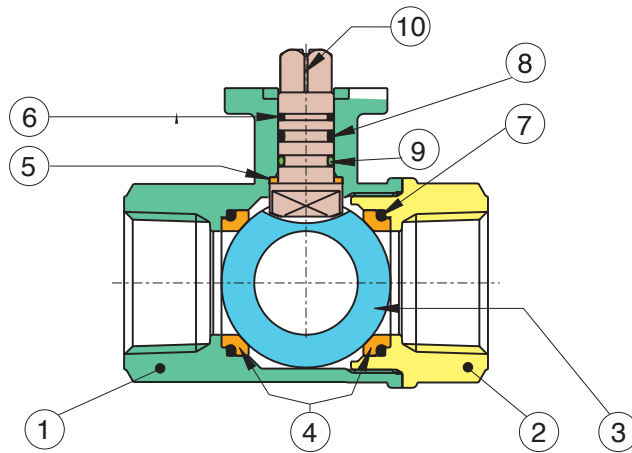
- Lead Free Brass
- Full Port, Sizes 1/4" to 2"
- ISO 5211 pad and square stem
- Pressure rating to 600 WOG
- Temperature range -4°F to 366°F
- Low torque design with back up O-ring seats
- Double O-ring stem seal design for extended cycle life
- 100% electronically tested in the open and closed position@80 Psi
- NSF 61/372



PRESSURE - TEMPERATURE CHART FOR SERIES 250NLF

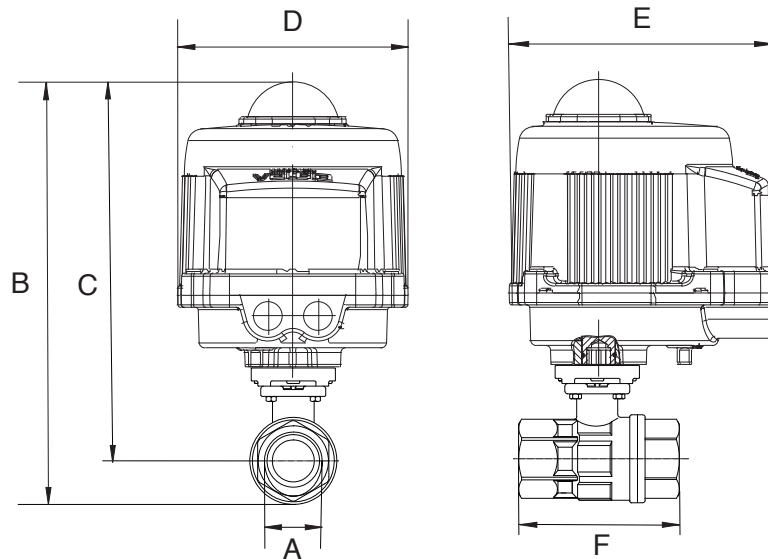


BILL OF MATERIALS FOR 250NLF



N POS	PART NAME	MATERIAL	N POS
1	BODY	LF BRASS C28500	1
2	END CONNECTION	LF BRASS C28500	1
3	BALL	LF BRASS C28500	1
4	BALL SEAT	P.T.F.E.	2
5	THRUST WASHER	P.T.F.E.	1
6	STEM SEAL	P.T.F.E.	1
7	O-RING	FKM (Viton®)	2
8	O-RING	EPDM	1
9	O-RING	FKM (Viton®)	1
10	STEM	LF BRASS C28500	1

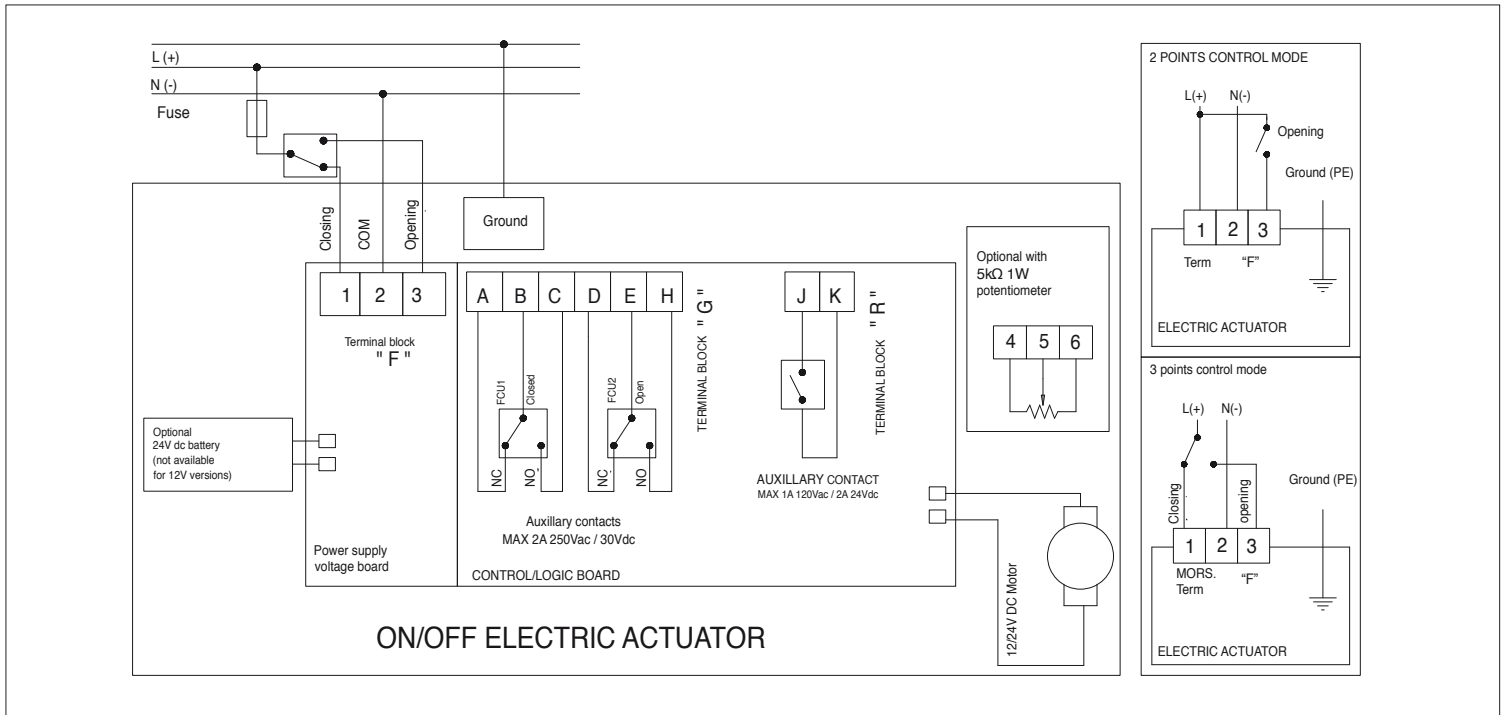
DIMENSIONS



Size	A	B	C	D	E	F	ACT.
1/2"	.500	9.77	9.09	6.34	7.36	2.64	VB030M
3/4"	.750	9.97	9.25	6.34	7.36	2.99	VB030M
1"	1.00	10.59	9.65	6.34	7.36	3.35	VB030M
1-1/4"	1.25	10.91	9.9	6.34	7.36	3.66	VB030M
1-1/2"	1.50	11.79	10.47	6.34	7.36	1.13	VB030M
2"	2.00	12.51	11.00	6.34	7.36	4.80	VB030M

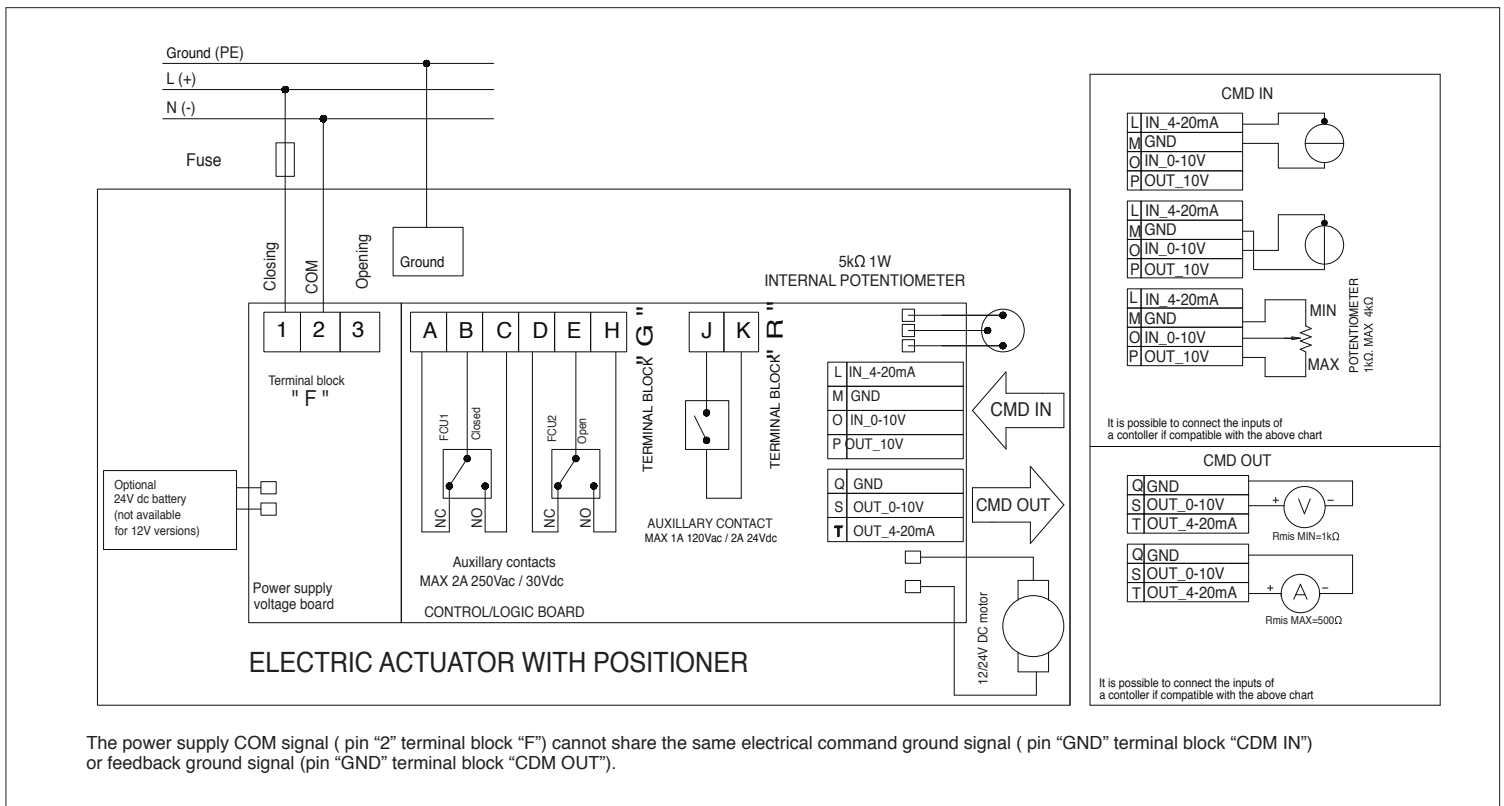
ON/OFF WIRING DIAGRAM - VB030M

12V AC/DC, 24V AC/DC & 100-240VAC



POSITIONER WIRING DIAGRAM - VB030M

12V AC/DC, 24V AC/DC & 100-240VAC



The power supply COM signal (pin "2" terminal block "F") cannot share the same electrical command ground signal (pin "GND" terminal block "CDM IN") or feedback ground signal (pin "GND" terminal block "CDM OUT").