



JOB NAME:	CONTRACTOR:
JOB LOCATION:	APPROVAL:
ENGINEER:	CONTRACTOR P.O.:
APPROVAL:	REPRESENTATIVE:

M8E065-00*

355N DIRECT MOUNT, 3-WAY STAINLESS STEEL, "T" PORT BALL VALVE W/ METAL ELECTRIC ACTUATOR
SIZES 1/4" TO 3"

M8E066-00*

365N DIRECT MOUNT, 3-WAY STAINLESS STEEL, "L" PORT BALL VALVE W/ METAL ELECTRIC ACTUATOR
SIZES 1/4" TO 3"

*001 12V AC/DC	*002 24V AC/DC	*003 100-240V AC
01 BATTERY BACKUP	*02* POSITIONER	*04* BATTERY BACKUP W POSITIONER

SPECIFICATIONS

The M8E065 3-way T port and M8E066 L port brass ball valves using the rugged VBM series metal electric actuator offer the best in durability and industrial performance. The M8E065 series "T" port with its four-seated design can allow straight through flow, diversion, and complete shut-off capability. The M8E066 "L" port is also four seated, allowing one to utilize any port as an entry. Both series are designed for low torque operation due to the use of O-ring backed PTFE seats, and O-ring stem seals. The O-ring stem seals also eliminate the need for any stem adjustment. The VBM electric actuator has a NEMA 4 housing and features a raised position indicator. In addition, the VBM series also incorporates two extra limit switches, a heater and thermostat, 1/2" conduit connections and a 75% duty cycle motor.

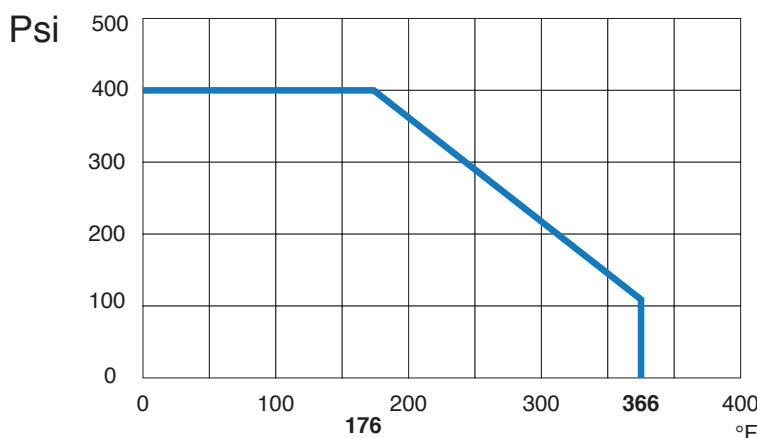
ACTUATOR FEATURES

- Dual Voltages
- 24V AC/DC and 100-240V AC Models Available
- ISO 5211, F03/F05 base with 11mm female drive
- 75% Duty Cycle
- Anti-condensation heater, (when red wire is connected to power)
- High-Strength, Die Cast Aluminum Powder Coated Housing
- Temperature Range -4°F to 131°F
- NEMA 4 Housing
- Two Auxiliary Switches Standard
- Torque limiter standard

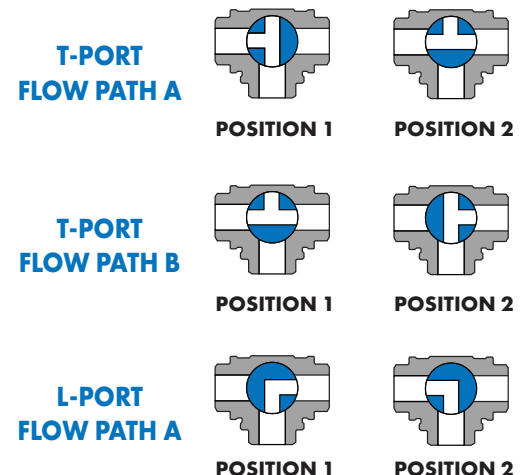
VALVE FEATURES

- Brass
- Full Port, Sizes 1/4" to 3"
- ISO 5211 pad and square stem
- Pressure rating to 400 WOG
- Temperature range -4°F to 366°F
- Four (4) seat design for sealing between pressured ports
- Blow-out proof stem, chrome plated brass ball
- Low torque design with back up O-ring seats
- Double O-ring stem seal design for extended cycle life
- 100% electronically tested in the open and closed position @ 80 Psi

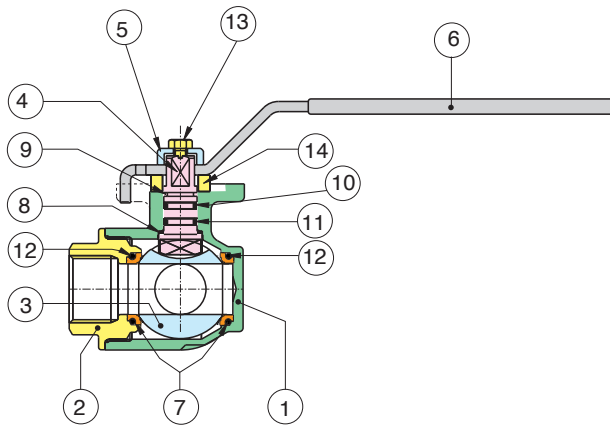
PRESSURE - TEMPERATURE CHART FOR SERIES 355N & 365N



FLOW PATH VARIATIONS

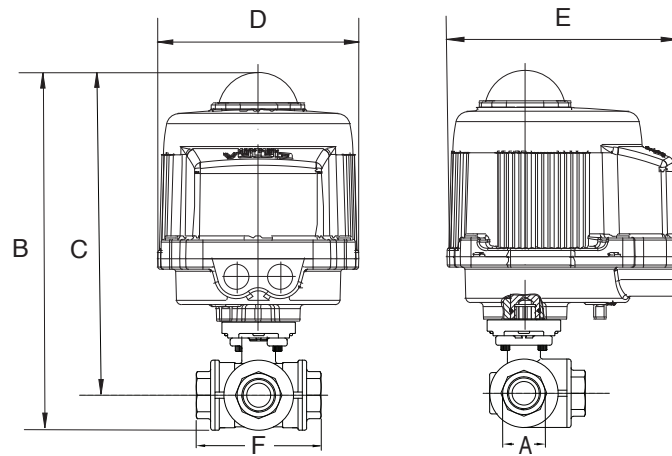


BILL OF MATERIALS FOR 355N & 365N



N POS	PART NAME	MATERIAL	N PCS
1	BODY	BRASS C38000	1
2	END CONNECTION	BRASS C38000	3
3	BALL	BRASS C38000	1
4	STEM	BRASS C3800	1
5	BUSH	BRASS C3800	1
6	HANDLE	Fe DD 11 UNI EN 10111	1
7	BALL SEAT	P.T.F.E.	4
8	THRUST WASHER	P.T.F.E.	1
9	THRUST WASHER	P.T.F.E.	1
10	O-RING	EPDM	1
11	O-RING	FKM (VITON®)	1
12	O-RING BODY	FKM (VITON®)	4
13	SCREW	STEEL CL 8.8	1
14	WASHER	NYLON (PA6)	1

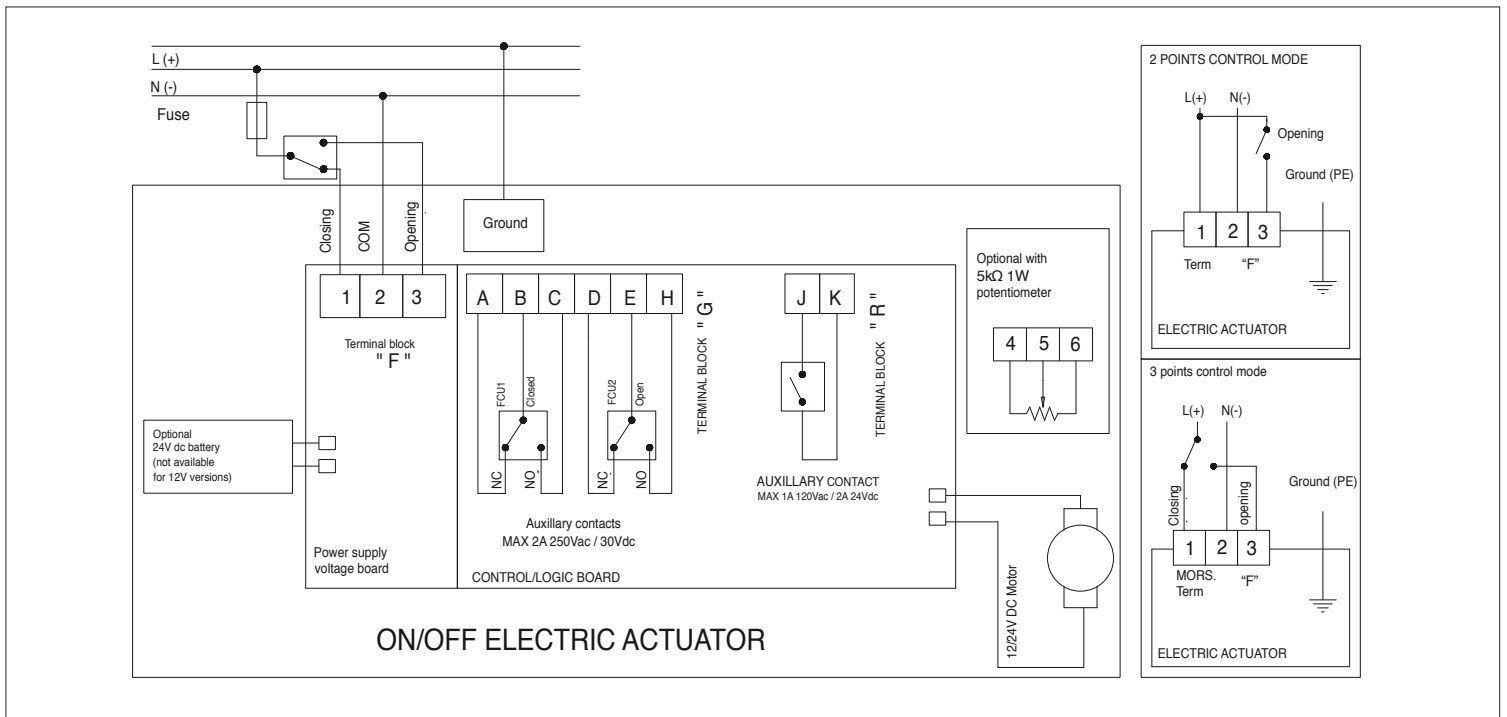
DIMENSIONS



Size	A	B	C	D	E	F	ACT.
1/4"	0.39	9.7	9.03	6.34	7.36	2.64	VB030M
3/8"	0.43	9.7	9.03	6.34	7.36	2.64	VB030M
1/2"	0.43	9.7	9.03	6.34	7.36	2.87	VB030M
3/4"	0.59	9.89	9.12	6.34	7.36	3.19	VB030M
1"	0.79	10.41	9.46	6.34	7.36	3.74	VB030M
1-1/4"	0.98	10.86	9.68	6.34	7.36	4.39	VB030M
1-1/2"	1.26	11.59	10.17	6.34	7.36	4.86	VB030M
2"	1.57	13.27	11.57	6.93	7.76	5.73	VB060M
2-1/2"	1.95	14.2	12.01	6.93	7.76	6.93	VB060M
3"	1.95	12.24	12.01	6.93	7.76	7.08	VB060M

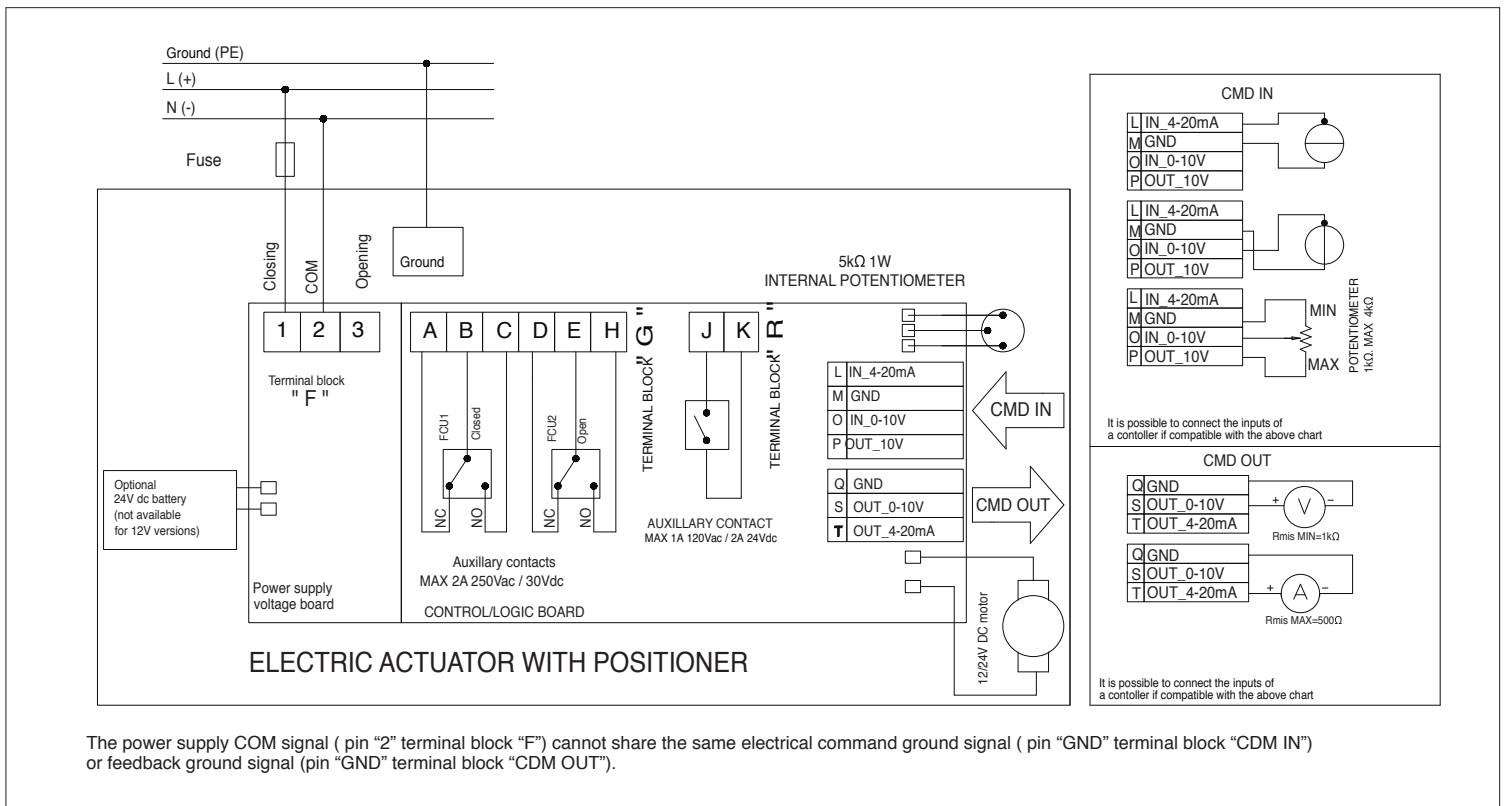
ON/OFF WIRING DIAGRAM - VB030M -VB110M

12V AC/DC, 24V AC/DC & 100-240VAC



POSITIONER WIRING DIAGRAM - VB030M -VB110M

12V AC/DC, 24V AC/DC & 100-240VAC



The power supply COM signal (pin "2" terminal block "F") cannot share the same electrical command ground signal (pin "GND" terminal block "CDM IN") or feedback ground signal (pin "GND" terminal block "CDM OUT").