



<b>JOB NAME:</b>	<b>CONTRACTOR:</b>
<b>JOB LOCATION:</b>	<b>APPROVAL:</b>
<b>ENGINEER:</b>	<b>CONTRACTOR P.O.:</b>
<b>APPROVAL:</b>	<b>REPRESENTATIVE:</b>

## M8E067-00\*

**700076 DIRECT MOUNT, 2-WAY STAINLESS STEEL, FULL PORT BALL VALVE W VALBIA METAL ELECTRIC ACTUATOR SIZES 1/4" TO 3"**

*001 12V AC/DC	*002 24V AC/DC	*003 100-240V AC
*01* BATTERY BACKUP	*02* POSITIONER	*04* BATTERY BACKUP W POSITIONER

### SPECIFICATIONS

The M8E067 packaged series is ideally suited for industrial applications, where space and reliability at a premium.

The M8E067 package includes an electric actuator with a sturdy, die cast aluminum body which is weather-proof with a heater and thermostat included.

The NEMA 4 housing is resistant to dusty areas and in areas where water may be sprayed and is ideally suited for outdoor use.

For 12V AC/DC models use suffix -001, for 24V AC/DC models use suffix -002, and 120V AC models use suffix -003.

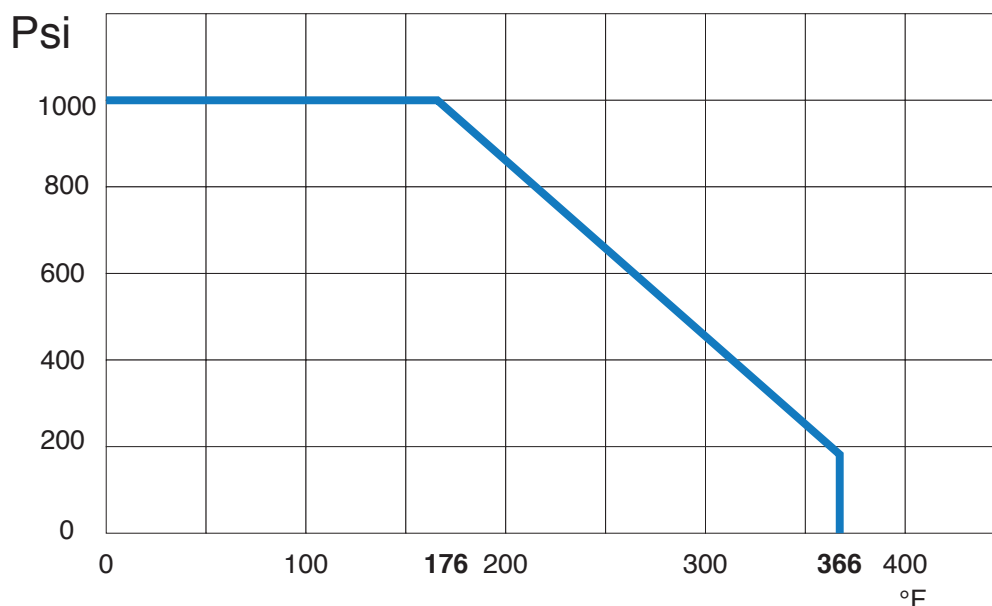
### ACTUATOR FEATURES

- Dual Voltages
- 24V AC/DC and 100-240V AC Models Available
- ISO 5211, F03/F05 base with 11mm female drive
- 75% Duty Cycle
- Anti-condensation heater, (when red wire is connected to power)
- High-Strength, Die Cast Aluminum Powder Coated Housing
- Temperature Range -4°F to 131°F
- NEMA 4 Housing
- Two Auxiliary Switches Standard
- Torque limiter standard

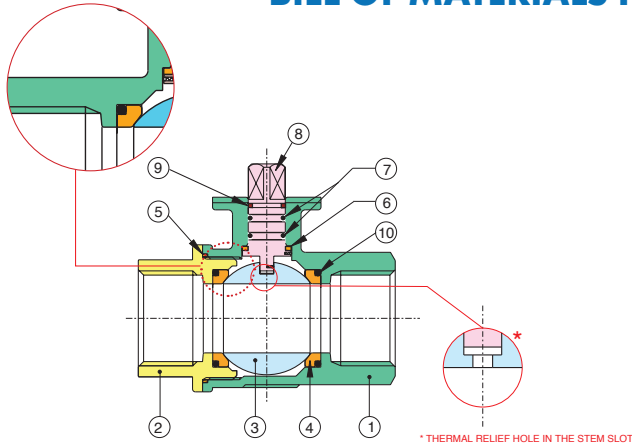
### VALVE FEATURES

- CF8M Stainless Steel
- Full Port, Sizes 1/4" to 3"
- ISO 5211 pad/square stem
- Pressure rating to 1000 psi, 150 psi steam
- Temperature -4°F to 366°F
- Blow out proof stem
- P.T.F.E. seats with O-ring backing for low operating torque
- P.T.F.E. seals and Double O-ring stem seal design for extended cycle life
- 100% electronically tested in the open and closed position @ 80 Psi
- Thermal relief protection

### PRESSURE - TEMPERATURE CHART FOR SERIES 700076

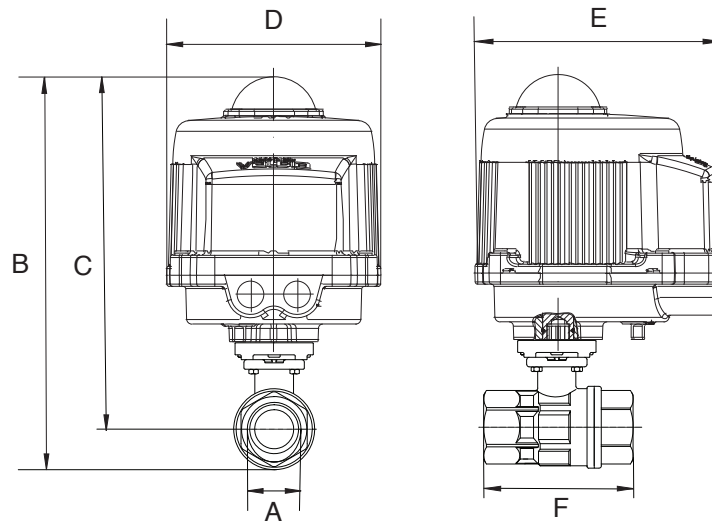


## BILL OF MATERIALS FOR 700076



N POS	PART NAME	MATERIAL	N PCS
1	BODY	CF8M	1
2	END CONNECTION	CF8M	1
3	BALL	AISI 316 - CF8M	1
4	BALL SEAT	P.T.F.E.	2
5	SEAL	P.T.F.E.	1
6	STEM SEAL	P.T.F.E.	1
7	O-RING	FKM (Viton®)	2
8	STEM	AISI 316	1
9	STEM SEAL	P.T.F.E.	1
10	O-RING	FKM (Viton®)	2

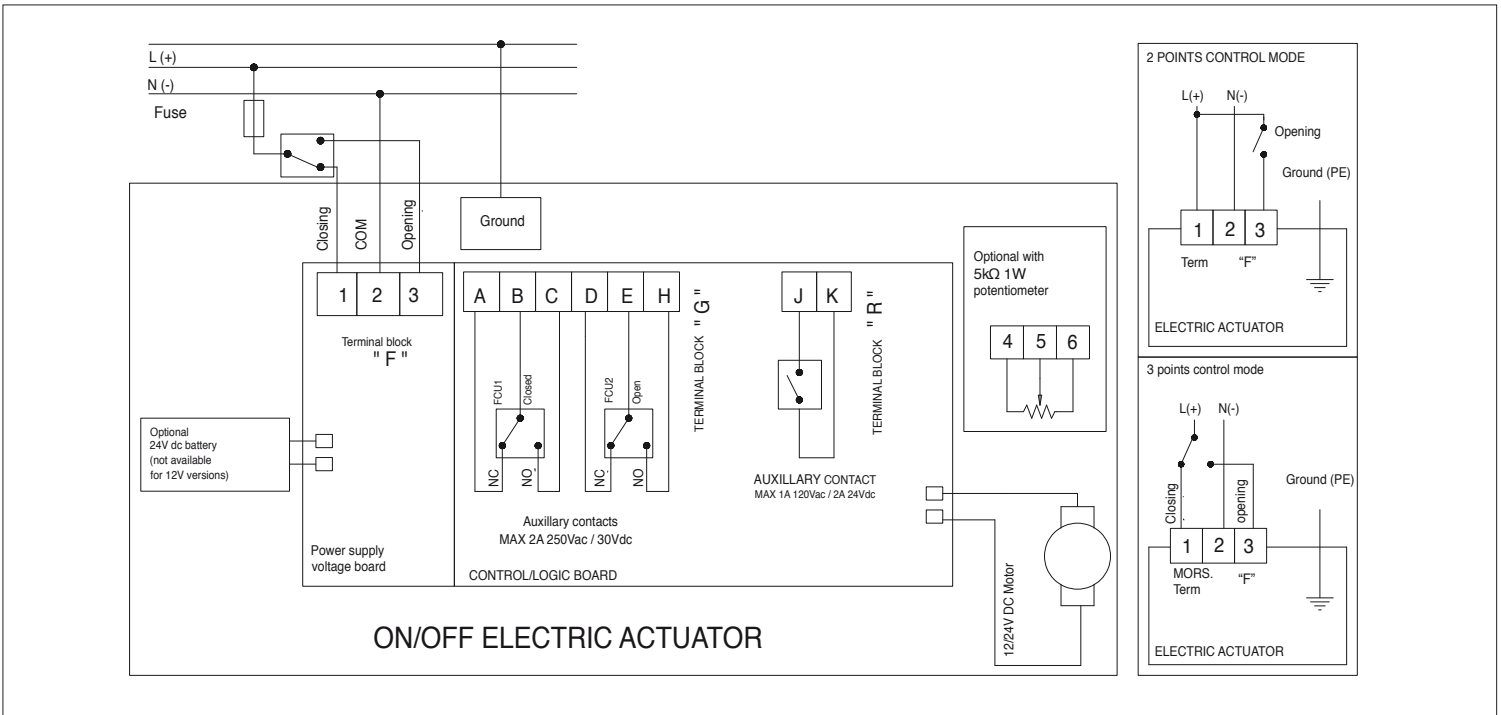
## DIMENSIONS



Size	A	B	C	D	E	F	ACT.
1/4"	.250	10.33	9.11	6.34	7.36	2.56	VB030M
3/8"	.375	10.33	9.11	6.34	7.36	2.56	VB030M
1/2"	.500	10.14	9.11	6.34	7.36	2.63	VB030M
3/4"	.750	10.22	9.19	6.34	7.36	3.07	VB030M
1"	1.00	10.94	9.62	6.34	7.36	3.54	VB030M
1-1/4"	1.25	11.34	9.79	6.34	7.36	3.93	VB030M
1-1/2"	1.50	12.26	10.35	6.34	7.36	4.40	VB030M
2"	2.00	13.01	10.71	6.34	7.36	5.31	VB030M
2-1/2"	2.50	16.94	14.62	10.63	10.47	6.32	VB110M
3"	3.00	17.76	15.02	10.63	10.47	7.01	VB110M

# ON/OFF WIRING DIAGRAM - VB030 -VB 110

12V AC/DC, 24V AC/DC & 100-240VAC



# POSITIONER WIRING DIAGRAM - VB030 -VB 110

12V AC/DC, 24V AC/DC & 100-240VAC

