



JOB NAME:	CONTRACTOR:
JOB LOCATION:	APPROVAL:
ENGINEER:	CONTRACTOR P.O.:
APPROVAL:	REPRESENTATIVE:

## ME700E

**700E GROOVED END EPOXY-COATED DUCTILE IRON BODY, EPDM SEATS WITH VALBIA METAL ELECTRIC ACTUATOR**

**SIZES 2" TO 12"**

## ME700B

**700B GROOVED END EPOXY-COATED DUCTILE IRON BODY, BUNA SEATS WITH VALBIA METAL ELECTRIC ACTUATOR**

**SIZES 2" TO 12"**

*001 12V AC/DC	*002 24V AC/DC	*003 100-240V AC
*01* BATTERY BACKUP	*02* POSITIONER	*04* BATTERY BACKUP W POSITIONER

### SPECIFICATIONS

The Bonomi ME700E series electric actuated package features an ISO 5211 direct mount epoxy coated, ductile iron, EPDM coated disc, grooved end ball valve. The E700B electric package is the same except utilizing a BUNA-N coated disc.

The Valbia electric VBM metal housing actuator fits directly over the 700E/700B series ball valve with square stem and ISO 5211 pad. The actuator also is standardly furnished with dual voltages, two extra limit switches, torque limiter, manual override, a dome position indicator, 1/2" conduit connections, 75% duty cycle motor, contained in a NEMA 4 cast aluminum powder coated housing.

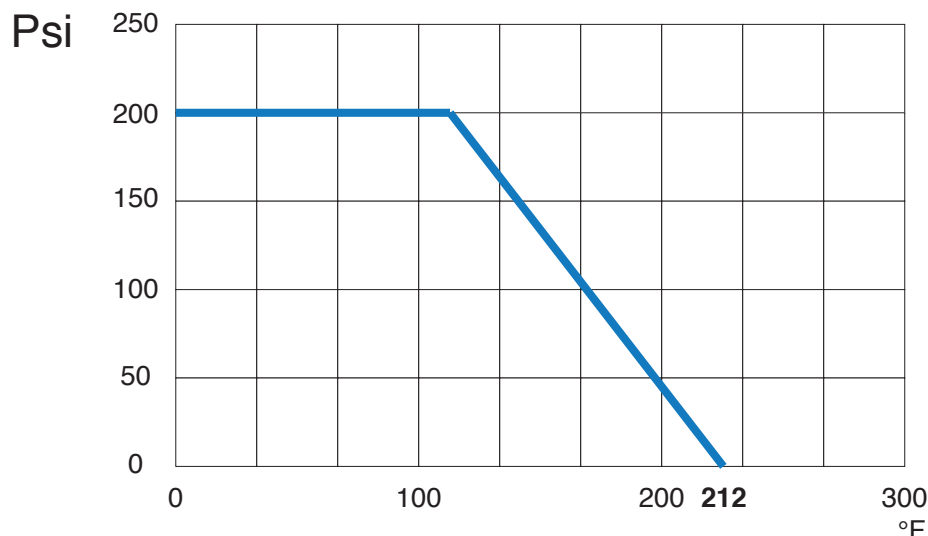
### ACTUATOR FEATURES

- Dual Voltages
- 24V AC/DC and 100-240V AC Models Available
- ISO 5211 dual patterns
- 75% Duty Cycle
- Anti-condensation heater, (when red wire is connected to power)
- High-Strength, Die Cast Aluminum Powder Coated Housing
- Temperature Range -4°F to 131°F
- NEMA 4 Housing
- Two Auxiliary Switches Standard
- Torque limiter standard
- 1/2" conduit connection

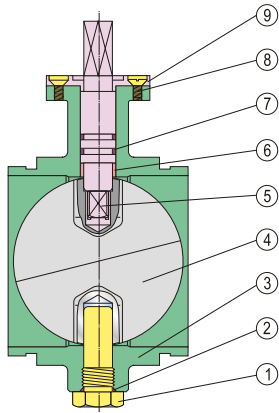
### VALVE FEATURES

- Grooved End Epoxy-coated Ductile Iron body
- Sizes 2" to 12"
- ISO 5211 Direct Mount/Square Stem
- Epoxy coated Ductile Iron Wafer body
- EPDM seat (-30°F TO 250°F)
- BUNA seat (10°F TO 250°F)
- Face to face MSS-SP-67
- Ends meet ANSI AWWA C606
- Temperature Range: -4°F to 212°F

### PRESSURE - TEMPERATURE CHART FOR SERIES 700E/700B

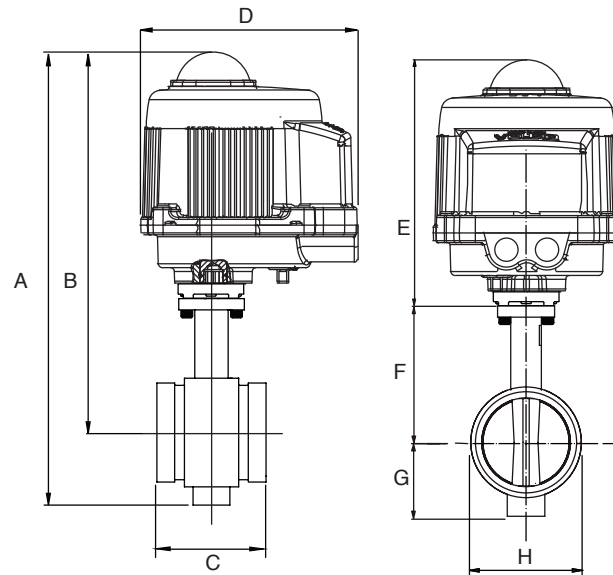


## BILL OF MATERIALS



N POS	PART NAME	MATERIAL	N PCS
1	LOWER SHAFT	410 STAINLESS STEEL	1
2	SEAT	EPDM (-30°F TO 250°F) BUNA (10°F TO 250°F)	1
3	BODY	CAST IRON / DUCTILE IRON	1
4	DISC	DUCTILE IRON + NBR/EPDM	1
5	UPPER SHAFT	410 STAINLESS STEEL	1
6	BUSHING	P.T.F.E.	1
7	O-RING	EPDM (-30°F TO 250°F) BUNA (10°F TO 250°F)	1
8	SCREW	CARBON STEEL ZINC PLATED	1
9	COVER	CARBON STEEL NICKEL PLATED	1

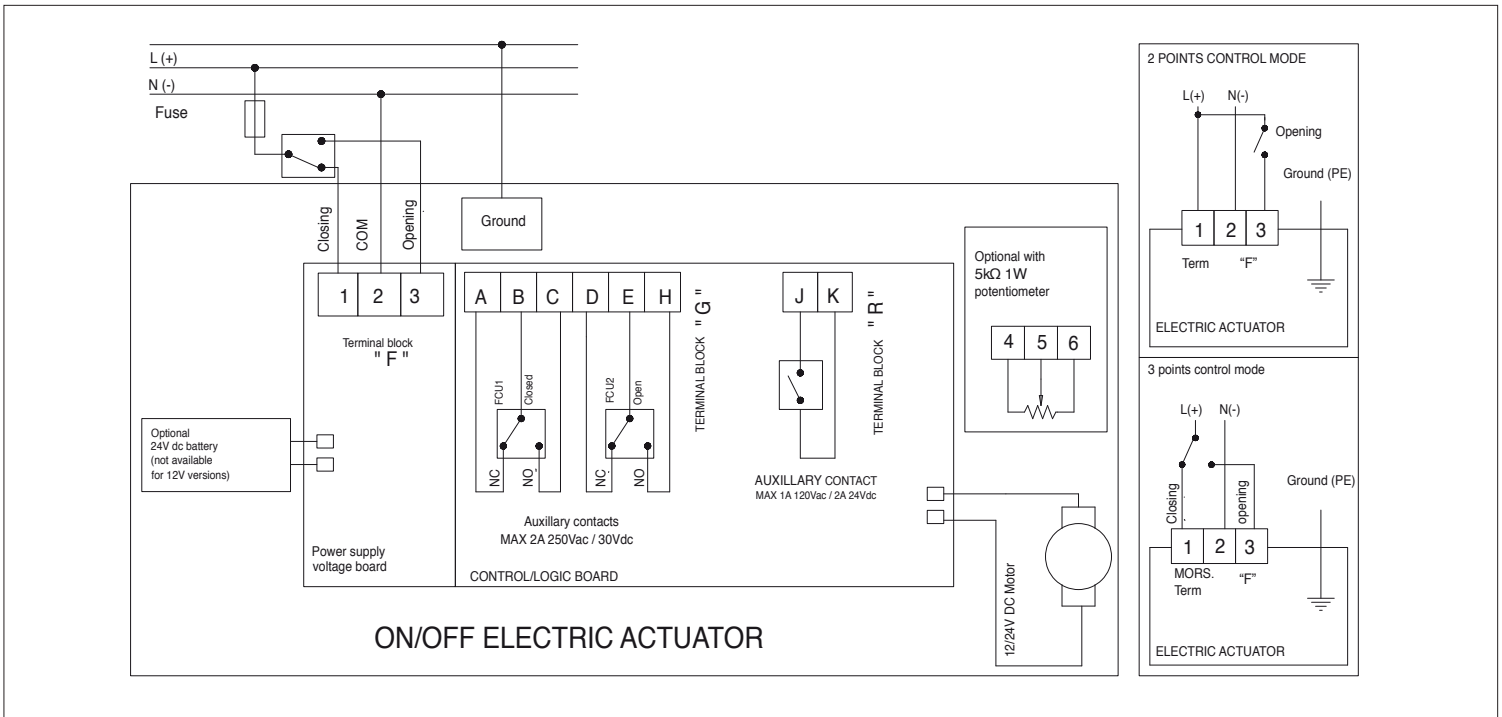
## DIMENSIONS



Size	2"	2-1/2"	3"	4"	5"	6"	8"	10"	12"
<b>A</b>	14.99	15.46	16.98	19.32	20.68	21.72	23.68	26.88	C/F
<b>B</b>	12.51	12.77	13.83	15.62	16.43	16.88	17.8	19.56	C/F
<b>C</b>	3.24	3.81	3.81	4.55	5.81	5.81	5.25	6.25	C/F
<b>D</b>	7.36	7.36	7.76	10.47	10.47	10.47	10.98	10.98	C/F
<b>E</b>	7.83	7.83	8.66	9.68	9.68	9.68	9.72	9.72	C/F
<b>F</b>	4.68	4.94	5.17	5.94	6.75	7.20	8.08	9.84	C/F
<b>G</b>	2.48	2.69	3.15	3.70	4.25	4.84	5.88	7.32	C/F
<b>H</b>	2.37	2.87	3.50	4.50	4.50	6.62	8.62	10.7	C/F
<b>Act.</b>	VB030M	VB030M	VB060M	VB110M	VB190M	VB190M	VB270M	VB350M	C/F

# ON/OFF WIRING DIAGRAM - VB030M -VB190M

12V AC/DC, 24V AC/DC & 100-240VAC



# POSITIONER WIRING DIAGRAM - VB030M -VB190M

12V AC/DC, 24V AC/DC & 100-240VAC

