



| | |
|---------------|------------------|
| JOB NAME: | CONTRACTOR: |
| JOB LOCATION: | APPROVAL: |
| ENGINEER: | CONTRACTOR P.O.: |
| APPROVAL: | REPRESENTATIVE: |

ME97T
T-PORT

ME97L
L-PORT

ME97X
DOUBLE L-PORT

97 SERIES 3-WAY STAINLESS STEEL, BLOCK BODY, FULL PORT BALL VALVE WITH VALBIA METAL ELECTRIC ACTUATOR

SIZES 1/2" TO 4"

| | | |
|---------------------|-----------------|----------------------------------|
| *001 12V AC/DC | *002 24V AC/DC | *003 100-240V AC |
| *01* BATTERY BACKUP | *02* POSITIONER | *04* BATTERY BACKUP W POSITIONER |

SPECIFICATIONS

The Bonomi ME97T, ME97L and ME97X series electric packages feature a block style full port, stainless steel, direct mount style, ball valve, with versatile T port, L port, and double L port configurations.

The Valbia electric VBM metal housing actuator fits directly over the 97-series square stem and ISO 5211 pad. The actuator also is standardly furnished with dual voltages, two extra limit switches, torque limiter, manual override, a dome position indicator, 1/2" conduit connections, 75% duty cycle motor, contained in a NEMA 4 cast aluminum powder coated housing.

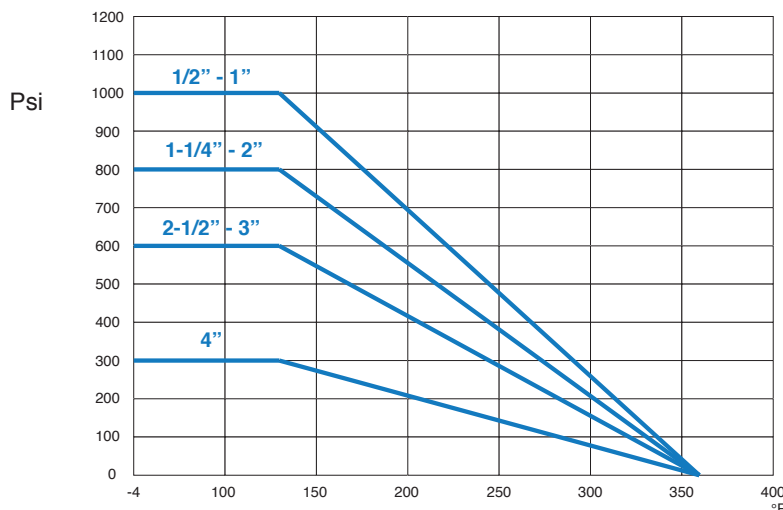
ACTUATOR FEATURES

- Dual Voltages
- 24V AC/DC and 100-240V AC
- ISO 5211 dual patterns
- 75% Duty Cycle
- High-Strength, Die Cast Aluminum Powder Coated Housing
- Temperature Range -4°F to 131°F
- NEMA 4 Housing
- Two Auxiliary Switches Standard
- Torque limiter standard
- 1/2" Conduit connections

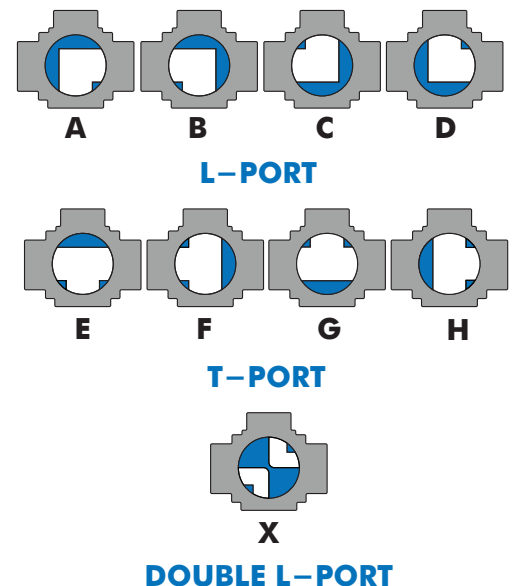
VALVE FEATURES

- Stainless Steel CF8M block body
- Full port, sizes 1/2" to 4"
- Pressure rating 1/2" to 1" - 1000 psi, 1-1/4" to 2" - 800 psi, 2-1/2" to 3" - 600 psi, 4" - 300 psi
- Temperature range -20°F to 450°F
- Blow-out proof stem
- R.P.T.F.E. seats & seals
- Grounded Ball & Stem
- 100% tested
- All stainless steel external components
- ISO 5211 mounting pad with square stem

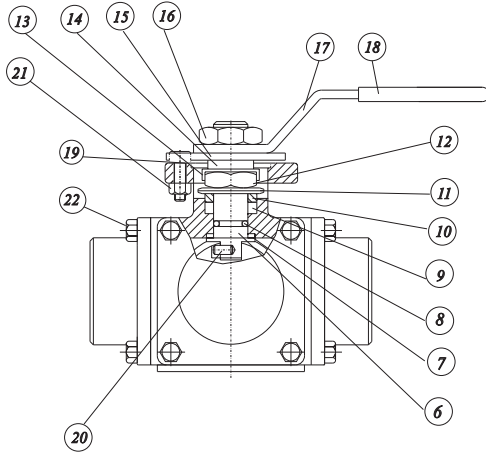
PRESSURE - TEMPERATURE CHART FOR SERIES 97T/97L/97X



PORT CONFIGURATIONS



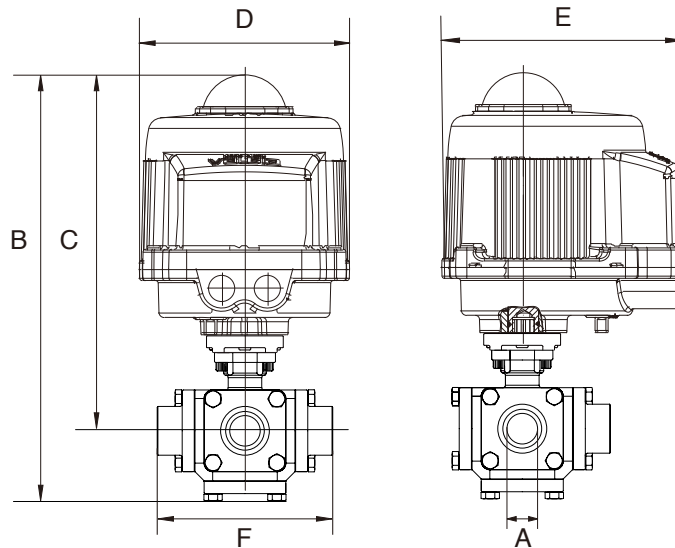
BILL OF MATERIALS FOR 97T/97L/97X



| N POS | PART NAME | MATERIAL | N PCS |
|-------|---------------|------------------------|-------|
| 1 | END CAPS | A351 CF8M | 3 |
| 2 | GASKET | P.T.F.E. | 4 |
| 3 | BODY | A351 CF8M | 1 |
| 4 | BALL | SS 316 | 1 |
| 5 | BALL SEATS | Carbon Filled P.T.F.E. | 4 |
| 6 | THRUST WASHER | R.P.T.F.E. | 1 |
| 7 | STEM | SS 316 | 1 |
| 8 | O-RING | FKM (Viton®) | 1 |
| 9 | STEM PACKING | P.T.F.E. | 1 |
| 10 | GLAND | SS 304 | 2 |
| 11 | DISC WASHER | SS 301 | 1 |

| N POS | PART NAME | MATERIAL | N PCS |
|-------|---------------|----------|-------|
| 12 | STEM NUT | SS 304 | 1 |
| 13 | NUT STOP | SS 304 | 1 |
| 14 | SPACE WASHER | SS 304 | 1 |
| 15 | STOPPER PLATE | SS 304 | 1 |
| 16 | HANDLE NUT | SS 304 | 1 |
| 17 | HANDLE | SS 304 | 1 |
| 18 | HANDLE SLEEVE | VINYL | 1 |
| 19 | INSERT PIN | SS 304 | 1 |
| 20 | STOP PIN | SS 316 | 1 |
| 21 | STOP PIN NUT | SS 304 | 1 |
| 22 | BOLTS | SS 304 | 8 |

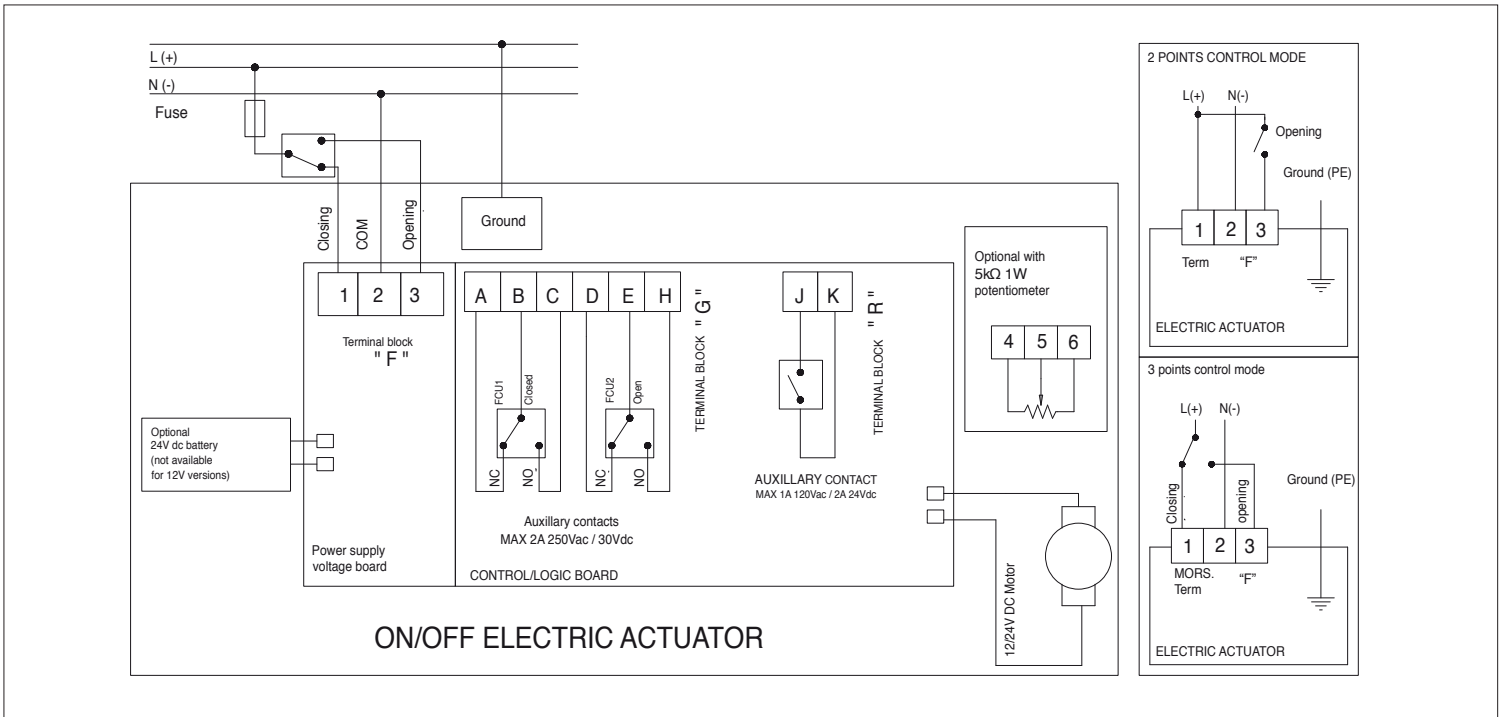
DIMENSIONS



| Size | 1/2" | 3/4" | 1" | 1-1/4" | 1-1/2" | 2" | 2-1/2" | 3" | 4" |
|------|--------|--------|--------|--------|--------|--------|--------|--------|--------|
| A | 0.59 | 0.79 | 0.98 | 1.25 | 1.50 | 1.97 | 2.44 | 2.99 | 3.78 |
| B | 9.55 | 9.96 | 11.18 | 11.75 | 13.41 | 13.67 | 14.4 | 14.95 | 16.17 |
| C | 10.93 | 11.74 | 13.41 | 14.1 | 16.25 | 16.83 | 18.21 | 19.08 | 21.34 |
| D | 6.34 | 6.34 | 6.93 | 6.93 | 10.63 | 10.63 | 10.63 | 10.83 | 10.83 |
| E | 7.36 | 7.36 | 7.76 | 7.76 | 10.47 | 10.47 | 10.47 | 10.98 | 10.98 |
| F | 3.62 | 4.33 | 5.66 | 5.78 | 6.45 | 7.24 | 8.97 | 10.43 | 12.48 |
| Act. | VB030M | VB030M | VB060M | VB060M | VB110M | VB190M | VB190M | VB270M | VB350M |

ON/OFF WIRING DIAGRAM - VB030M -VB190M

12V AC/DC, 24V AC/DC & 100-240VAC



POSITIONER WIRING DIAGRAM - VB030M -VB190M

12V AC/DC, 24V AC/DC & 100-240VAC

