



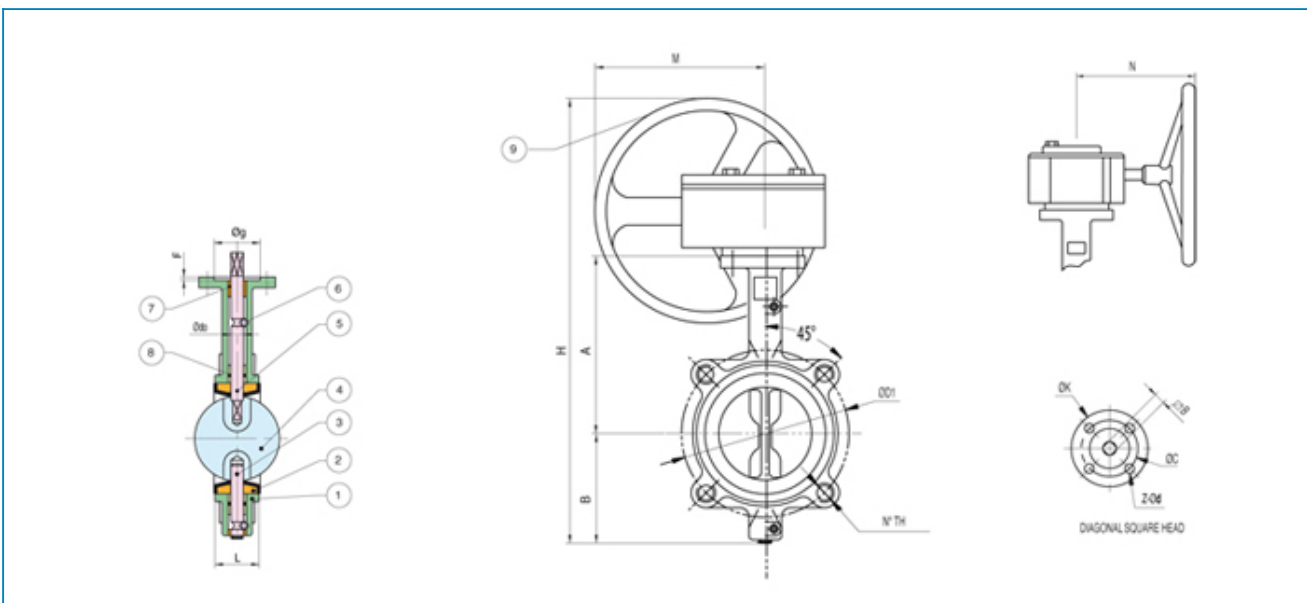
Serie **BUTTERFLY**

Articolo **G501S CF8M SS DISC**

BONOMI NORTH AMERICA

Gear operated Butterfly valves.

- Epoxy coated ductile iron lug body.
- Full port sizes 1" 1/2 to 12".
- Direct mount ISO 5211
- EPDM resilient seat -30 to 250 F.
- Low turn ratio.
- API609 Face to face flange.
- Floating dual shaft disc design.
- IP54 enclosure.
- MSS SP 67 Compliant.
- No pins in disc prevent potential leak points.



N POS	PART NAME	MATERIAL	N PCS
1	BODY	DUCTILE IRON	1
2	SEAT	EPDM (30F to 250F)	1
3	LOWER SHAFT	SS 416	1
4	DISC G501N	iron nylon 11	1
	DISC G501S	STAINLESS STEEL	
5	UPPER SHAFT	SS 416	1
6	LOCATING PIN	CARBON STEEL	1
7	BUSHING	P.T.F.E.	1
8	O-RING	EPDM	1
9	GEAR	CAST IRON	1

SIZE	ØC ISO	B	A	B	L	H	M	N	UPPER FLANGE					DISC	LUG	WT.	121.3SEAT TORQUE		CV (GPM@ IPSI)	
									Ødo	ØK	z-Ød	Øg	F				ØD1	N°-TH(UNC)	Lbs	100 psi
1"1/2	F05	9 mm	7.24	2.97	1.61	13.12	4.75	6.00	0.50	3.03	4-0.28	1.38	0.12	4.74	4-5/8"-11	19.1	111	133	35	108
2"	F05	9 mm	7.60	3.15	1.65	13.93	4.75	6.00	0.50	3.03	4-0.28	1.38	0.12	4.74	4-5/8"-11	19.9	126	146	45	135
2"1/2	F05	9 mm	8.15	3.50	1.76	14.83	4.75	6.00	0.50	3.03	4-0.28	1.38	0.12	5.49	4-5/8"-11	20.8	134	167	65	220
3"	F05	9 mm	8.38	3.74	1.78	15.31	4.75	6.00	0.50	3.03	4-0.28	1.38	0.12	6.00	4-5/8"-11	21.9	205	223	70	300
4"	F07	11	9.13	4.49	2.05	16.8	4.75	6.00	0.62	3.54	4-0.35	2.17	0.12	7.50	4-5/8"-11	31.3	339	386	140	605

5"	F07	14 mm	9.60	5.00	2.14	17.78	4.75	6.00	0.75	3.54	4- 0.35	2.17	0.12	8.50	8-3/4"-10	35.5	523	602	235	1010
6"	F07	14 mm	10.16	5.47	2.20	18.81	4.75	6.00	0.75	3.54	4.0.35	2.17	0.12	9.50	8-3/4"-10	42.8	677	996	360	1620
8"	F10	17 mm	12.01	6.89	2.34	24.73	8.35	9.84	0.87	4.92	4- 0.47	2.76	0.14	11.75	8-3/4"-10	68.6	1205	1864	715	3205
10"	F10	22 mm	13.27	7.99	2.58	27.03	8.35	9.84	1.12	4.92	4- 0.47	2.76	1.40	14.25	12-7/8"-9	87.3	1890	3140	1225	5305
12"	F10	22 mm	15.04	9.53	3.03	30.34	9.06	9.84	1.24	5.51	4- 0.47	2.76	1.40	17.00	12-7/8"-9	87.3	2808	4767	1900	8250