



## SERIES GN500N - GN500S

**NYLON 11 COATED DISC    CF8M SS DISC**



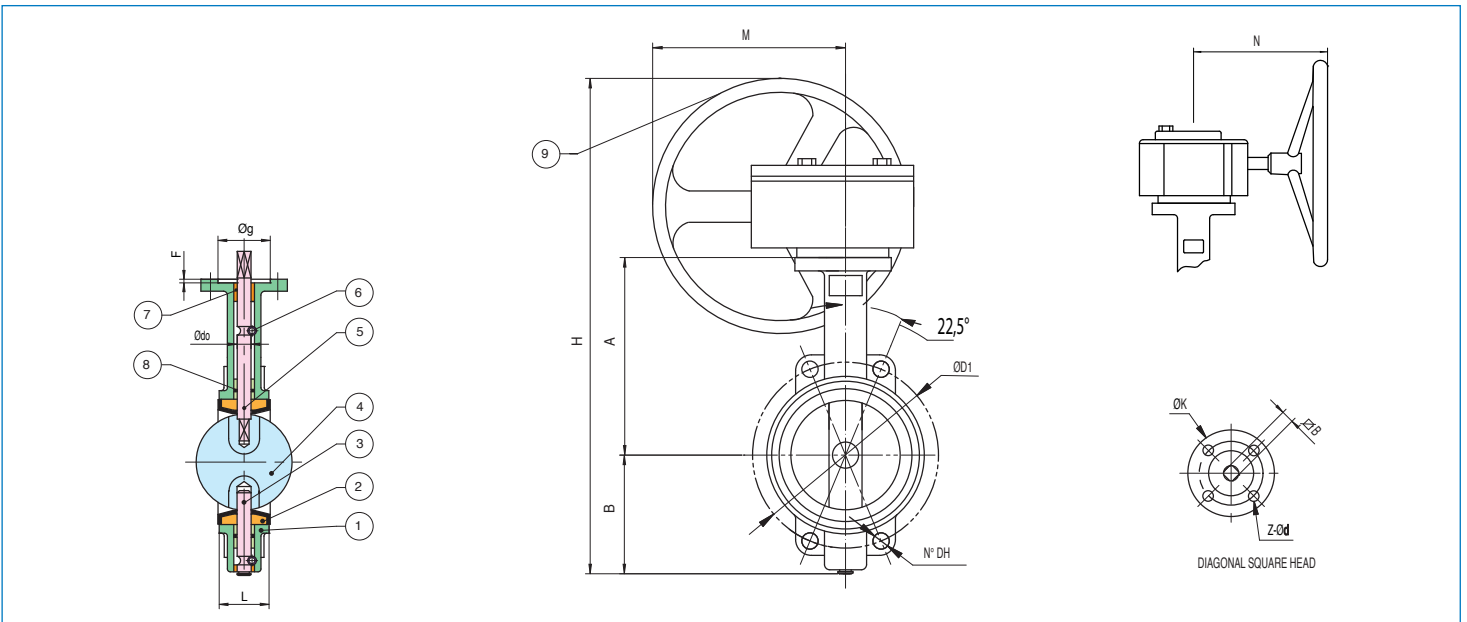
NSF/ANSI  
61, 372

Gear operated Wafer butterfly valves.

- Epoxy coated cast iron wafer body.
- Sizes 1 1/2" to 12".
- Pressure rating: 250psi water (40°F to 80°F).
- Food grade EPDM resilient seat -30°F to 250° F.
- Low turn ratio.
- API609 face to face flange.
- Floating dual shaft disc design.
- IP54 enclosure.
- MSS SP 67 compliant.
- No pins in disc prevent potential leak points.
- NSF certified for drinking water service (EPDM seats only).
- Dead end service to 100 psi.

G530S: VITON SEATS.

G540N-G540S: BUNA-N SEATS.



N POS	PART NAME	MATERIAL	N PCS
1	BODY	CAST IRON	1
2	SEAT	EPDM (30F to 250F)	1
3	LOWER SHAFT	SS 416	1
4	DISC G500N	IRON NYLON 11	1
	DISC G500S	STAINLESS STEEL	
5	UPPER SHAFT	SS 416	1
6	LOCATING PIN	CARBON STEEL	1
7	BUSHING	P.T.F.E.	1
8	O-RING	EPDM	1
9	GEAR	CAST IRON	1

SIZE	ISO 5211	B	A	B	L	H	M	N	Ødo	UPPER FLANGE				DISC ØD1	WAFER N°-DH	Weight Lbs	SEAT TORQUE			Cv (GPM@ 1psi)	
										ØK	Z-Ød	Øg	F				100 psi	200 psi	50% OP	100% OP	
1 1/2"	F05	9 mm	7.24	2.97	1.61	13.12	4.75	6.00	0.50	3.03	4-0.28	1.38	0.12	4.74	4-0.75	16.3	111	133	35	108	
2"	F05	9 mm	7.60	3.15	1.65	13.93	4.75	6.00	0.50	3.03	4-0.28	1.38	0.12	4.74	4-0.75	17	126	146	49	146	
2 1/2"	F05	9 mm	8.15	3.50	1.76	14.83	4.75	6.00	0.50	3.03	4-0.28	1.38	0.12	5.49	4-0.75	18.6	134	167	84	284	
3"	F05	9 mm	8.38	3.74	1.78	15.31	4.75	6.00	0.50	3.03	4-0.28	1.38	0.12	6.00	4-0.75	19.9	205	223	128	547	
4"	F07	11 mm	9.13	4.49	2.05	16.8	4.75	6.00	0.62	3.54	4-0.35	2.17	0.12	7.50	4-0.75	22.3	339	386	195	844	
5"	F07	14 mm	9.60	5.00	2.14	17.78	4.75	6.00	0.75	3.54	4-0.35	2.17	0.12	8.50	4-0.87	26.9	523	602	320	1375	
6"	F07	14 mm	10.16	5.47	2.20	18.81	4.75	6.00	0.75	3.54	4-0.35	2.17	0.12	9.50	4-0.87	28.7	677	996	418	1882	
8"	F10	17 mm	12.01	6.89	2.34	24.73	8.35	9.84	0.87	4.92	4-0.47	2.76	0.14	11.75	4-0.87	57.8	1205	1864	745	3340	
10"	F10	22 mm	13.27	7.99	2.58	27.03	8.35	9.84	1.12	4.92	4-0.47	2.76	1.40	14.25	4-1.00	70.9	1890	3140	1264	5475	
12"	F10	22 mm	15.04	9.53	3.03	30.34	9.06	8.94	1.24	5.51	4-0.47	2.76	1.40	17.00	4-1.00	104.6	2808	4767	1905	8270	

**WARNING:** This product can expose you to chemicals including lead, which is known to the State of California to cause cancer and birth defects or other reproductive harm. For more information go to [www.p65warnings.ca.gov](http://www.p65warnings.ca.gov).

