

BUTTERFLY VALVES

SERIES GN501N - GN501S



NSF/ANSI
61, 372

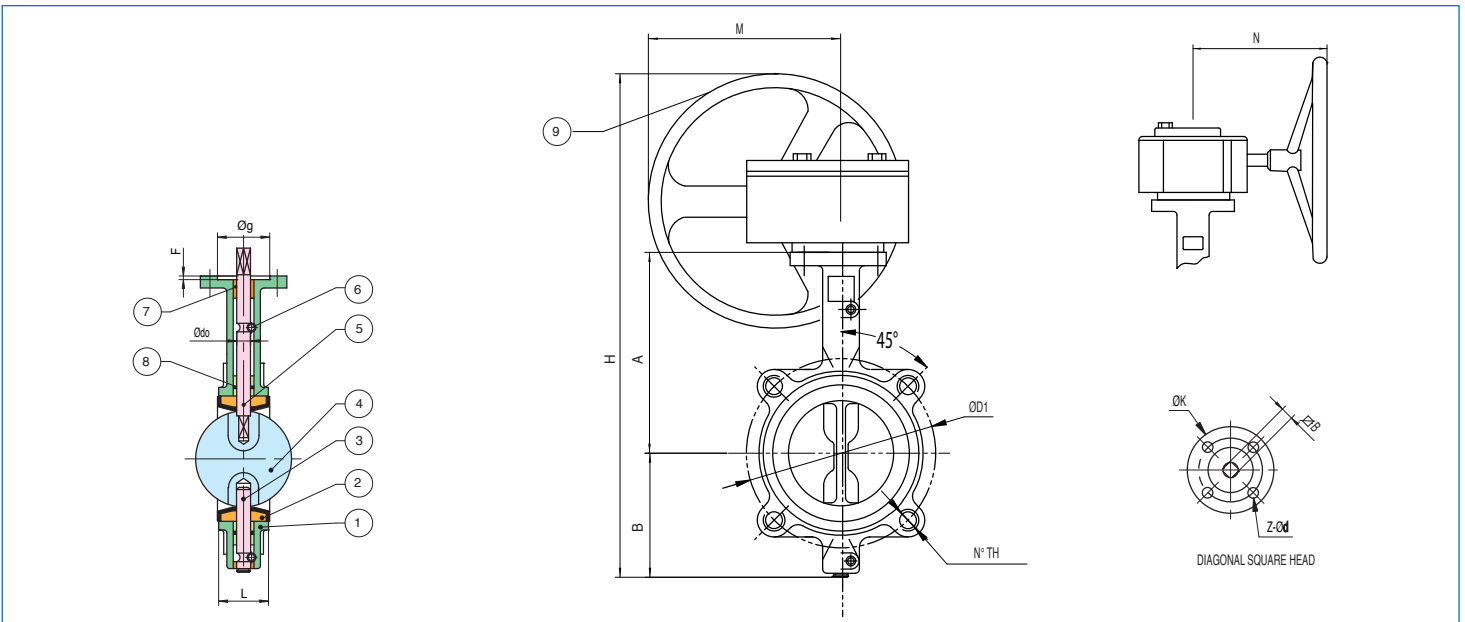
NYLON 11 COATED DISC CF8M SS DISC

Gear operated Lug butterfly valves.

- Epoxy coated ductile iron lug body.
- Full port sizes 1 1/2" to 12".
- Pressure rating: 250 psi water (40°F to 80°F).
- Food grade EPDM resilient seat -30°F to 250°F.
- Low turn ratio.
- API609 face to face flange.
- Floating dual shaft disc design.
- IP54 enclosure.
- MSS SP 67 compliant.
- No pins in disc prevent potential leak points.
- NSF certified for drinking water service (EPDM seats only).
- Dead end service to 100 psi.

G531S: VITON SEATS.

G541N-G541S: BUNA-N SEATS.



N POS	PART NAME	MATERIAL	N PCS	SIZE	ISO 5211	B	A	B	L	H	M	N	Ødo	UPPER FLANGE			DISC ØD1	LUG N°-TH	Weight Lbs	SEAT TORQUE		Cv (GPM@ 1psi)		
														ØK	Z-Ød	Øg				F	100 psi	200 psi	50% OP	100% OP
1	BODY	DUCTILE IRON	1	1 1/2"	F05	9 mm	7.24	2.97	1.61	13.12	4.75	6.00	0.50	3.03	4-0.28	1.38	0.12	4.74	4-5/8"-11	19.1	111	133	35	108
2	SEAT	EPDM (30F to 250F)	1	2"	F05	9 mm	7.60	3.15	1.65	13.93	4.75	6.00	0.50	3.03	4-0.28	1.38	0.12	4.74	4-5/8"-11	19.9	126	146	49	146
3	LOWER SHAFT	SS 416	1	2 1/2"	F05	9 mm	8.15	3.50	1.76	14.83	4.75	6.00	0.50	3.03	4-0.28	1.38	0.12	5.49	4-5/8"-11	20.8	134	167	84	284
4	DISC G501N DISC G501S	IRON NYLON 11 STAINLESS STEEL	1	3"	F05	9 mm	8.38	3.74	1.78	15.31	4.75	6.00	0.50	3.03	4-0.28	1.38	0.12	6.00	4-5/8"-11	21.9	205	223	128	547
5	UPPER SHAFT	SS 416	1	4"	F07	11 mm	9.13	4.49	2.05	16.8	4.75	6.00	0.62	3.54	4-0.35	2.17	0.12	7.50	8-5/8"-11	31.3	339	386	195	844
6	LOCATING PIN	CARBON STEEL	1	5"	F07	14 mm	9.60	5.00	2.14	17.78	4.75	6.00	0.75	3.54	4-0.35	2.17	0.12	8.50	8-3/4"-10	35.5	523	602	320	1375
7	BUSHING	P.T.F.E.	1	6"	F07	14 mm	10.16	5.47	2.20	18.81	4.75	6.00	0.75	3.54	4-0.35	2.17	0.12	9.50	8-3/4"-10	42.8	677	996	418	1882
8	O-RING	EPDM	1	8"	F10	17 mm	12.01	6.89	2.34	24.73	8.35	9.84	0.87	4.92	4-0.47	2.76	0.14	11.75	8-3/4"-10	68.6	1205	1864	745	3340
8	O-RING	EPDM	1	10"	F10	22 mm	13.27	7.99	2.58	27.03	8.35	9.84	1.12	4.92	4-0.47	2.76	1.40	14.25	12-7/8"-9	87.3	1890	3140	1264	5475
9	GEAR	CAST IRON	1	12"	F10	22 mm	15.04	9.53	3.03	30.34	9.06	8.94	1.24	5.51	4-0.47	2.76	1.40	17.00	12-7/8"-9	121.3	2808	4767	1905	8270

WARNING: This product can expose you to chemicals including lead, which is known to the State of California to cause cancer and birth defects or other reproductive harm. For more information go to www.p65warnings.ca.gov.