



JOB NAME:	CONTRACTOR:
JOB LOCATION:	APPROVAL:
ENGINEER:	CONTRACTOR P.O.:
APPROVAL:	REPRESENTATIVE:

## M8E3000-00 \*

**3000 2-WAY CARBON STEEL, FNPT THREADED DIRECT MOUNT BALL VALVE WITH VALBIA METAL ELECTRIC ACTUATOR**

**SIZES 1/4" TO 2"**

*001	12V AC/DC	*002	24V AC/DC	*003	100-240V AC
*01*	BATTERY BACKUP	*02*	POSITIONER	*04*	BATTERY BACKUP W POSITIONER

### SPECIFICATIONS

The Bonomi M8E3000 series electric actuated package features a 3000psi carbon steel ball valve, with an ISO 5211 direct mount pad and square stem. The valve also features Delrin seats and an investment cast WCB body.

The Valbia electric VBM metal housing actuator fits directly over the 3000 series square stem and ISO 5211 pad. The actuator also is standardly furnished with dual voltages, two extra limit switches, torque limiter, manual override, a dome position indicator, 1/2" conduit connections, 75% duty cycle motor, contained in a NEMA 4 cast aluminum powder coated housing.

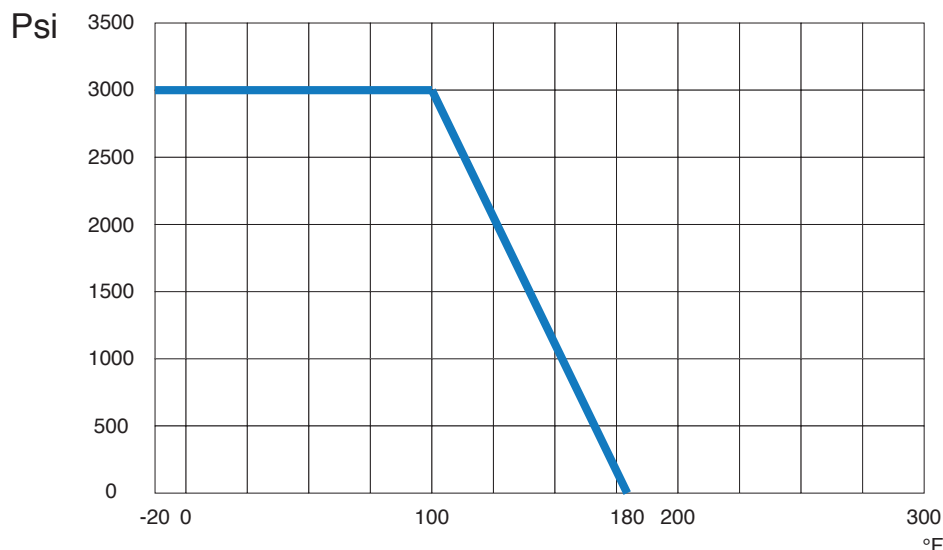
### ACTUATOR FEATURES

- Dual Voltages
- 24V AC/DC and 100-240V AC Models Available
- ISO 5211 dual patterns
- 75% Duty Cycle
- Anti-condensation heater, (when red wire is connected to power)
- High-Strength, Die Cast Aluminum Powder Coated Housing
- Temperature Range -4°F to 131°F
- NEMA 4 Housing
- Two Auxiliary Switches Standard
- Torque limiter standard
- 1/2" conduit connection

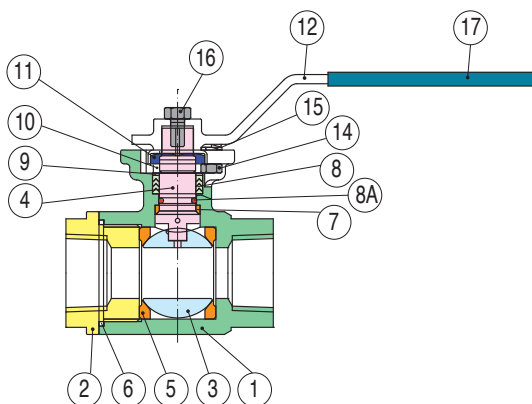
### VALVE FEATURES

- 2-piece WCB body
- Full port, sizes 1/4" to 1-1/2"
- Reduced port, sizes 2"
- Blow out proof stem/anti-static design
- Pressure rating 3000 psi (100°F)
- Temperature range -20°F to 185°F
- ISO 5211 mounting pad

### PRESSURE - TEMPERATURE CHART FOR SERIES 3000



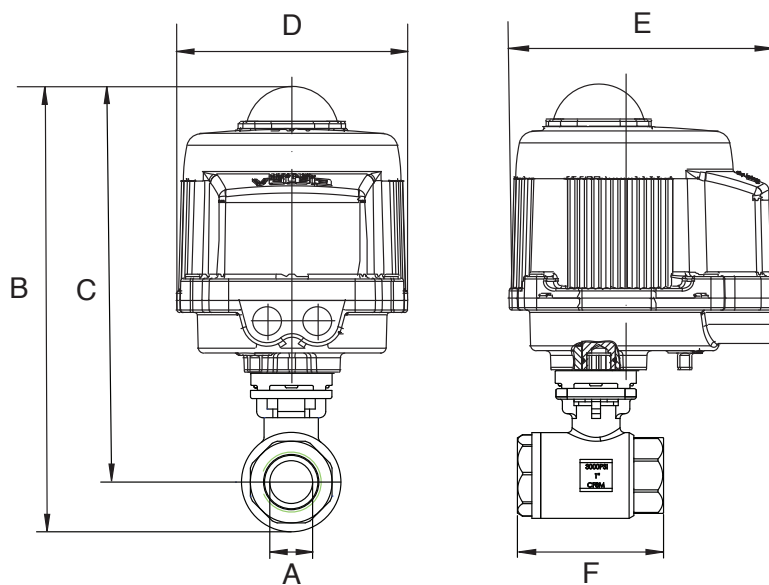
## BILL OF MATERIALS FOR 3000



N POS	PART NAME	MATERIAL	N PCS
1	BODY	WCB	1
2	END CAP	WCB	1
3	BALL	CF8M	1
4	ANTI-STATIC STEM	SS 316	1
5	BALL SEAT	DELRIIN	2
6	BODY SEAL	P.T.F.E.	1
7	THRUST WASHER	P.T.F.E.	1
8	STEM PACKING	P.T.F.E.	1
8A	O-RING	VITON	1

N POS	PART NAME	MATERIAL	N PCS
9	THRUST WASHER	50% SS - 50% P.T.F.E.	1
10	STEM NUT	SS 304	1
11	LOCK SADDLE	SS 304	1
12	HANDLE	SS 304	1
13	STOP BOLT	SS 304	1
14	STOP NUT	SS 304	1
15	STOP WASHER	SS 304	1
16	HANDLE BOLD	SS 304	1
17	HANDLE SLEEVE	VINYL	1

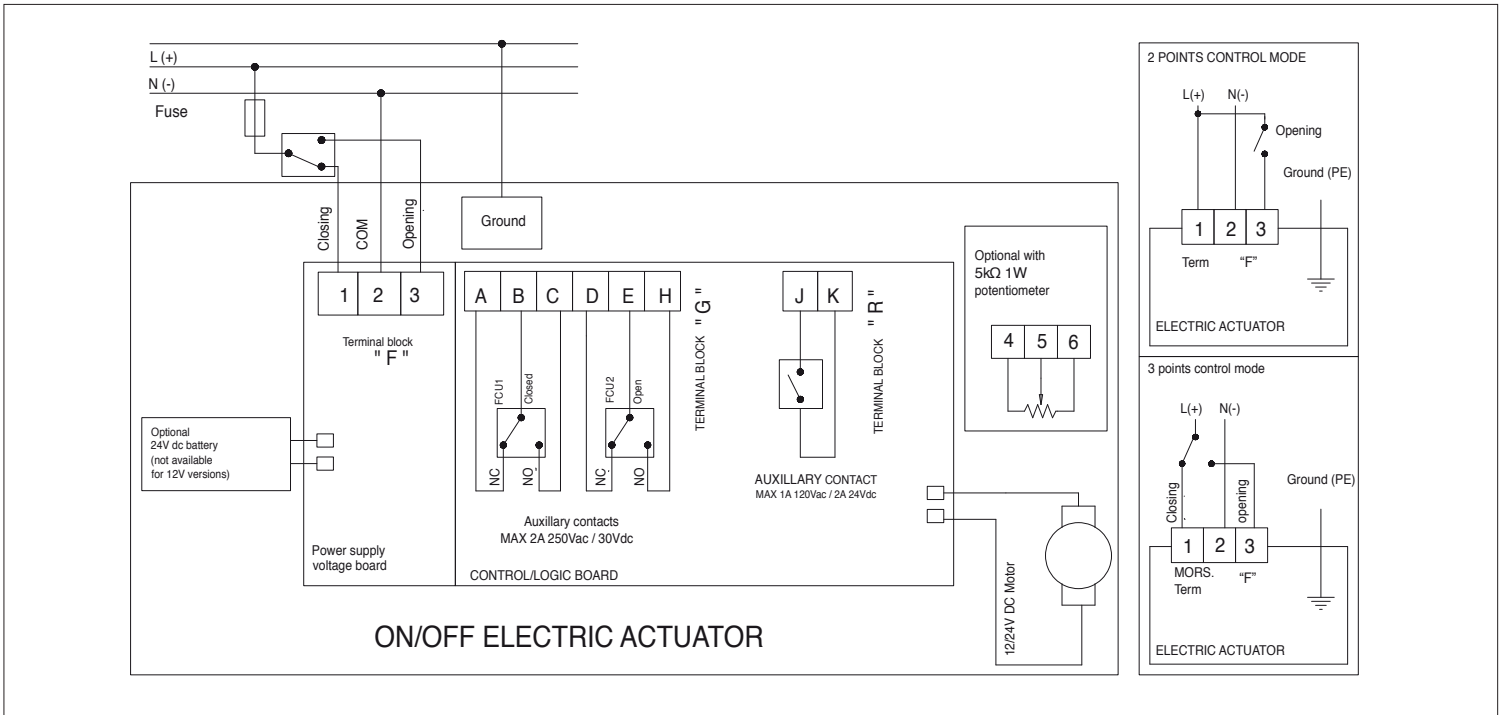
## DIMENSIONS



Size	1/4"	3/8"	1/2"	3/4"	1"	1-1/4"	1-1/2"	2"
<b>A</b>	0.38	0.38	0.50	0.69	0.87	1.14	1.37	1.37
<b>B</b>	10.76	10.76	11.59	11.79	11.67	12.88	14.04	14.04
<b>C</b>	9.44	9.44	10.27	10.38	9.94	10.98	11.62	11.62
<b>D</b>	6.34	6.34	6.34	6.34	6.34	6.93	6.93	6.93
<b>E</b>	7.39	7.36	7.36	7.36	7.36	7.76	7.76	7.76
<b>F</b>	2.95	2.95	2.95	3.19	3.58	4.33	4.76	5.71
<b>Act.</b>	VB030M	VB030M	VB030M	VB030M	VB030M	VB060M	VB060M	VB060M

**ON/OFF WIRING DIAGRAM - VB030M -VB060M**

12V AC/DC, 24V AC/DC & 100-240VAC



**POSITIONER WIRING DIAGRAM - VB030M -VB060M**

12V AC/DC, 24V AC/DC & 100-240VAC

