



JOB NAME:	CONTRACTOR:
JOB LOCATION:	APPROVAL:
ENGINEER:	CONTRACTOR P.O.:
APPROVAL:	REPRESENTATIVE:

M8E3200

3200 2-WAY CARBON STEEL, FNPT THREADED DIRECT MOUNT BALL VALVE WITH VALBIA METAL ELECTRIC ACTUATOR

SIZES 3/8" TO 1"

M8E3300

3300 2-WAY CARBON STEEL, SAE THREADED DIRECT MOUNT BALL VALVE WITH VALBIA METAL ELECTRIC ACTUATOR

SIZES 9/16-18 SAE TO 1-5/16-12 SAE

*001	12V AC/DC	*002	24V AC/DC	*003	100-240V AC
01	BATTERY BACKUP	*02*	POSITIONER	*04*	BATTERY BACKUP W POSITIONER

SPECIFICATIONS

The Bonomi M8E3200 series electric actuated package feature a high-pressure NPT carbon steel hydraulic ball valve, and the M8E3300 series features all the same characteristics, however, with SAE connections.

The Valbia electric VBM metal housing actuator is standardly furnished with dual voltages, two extra limit switches, torque limiter, manual override, a dome position indicator, 1/2" conduit connections, 75% duty cycle motor, contained in a NEMA 4 cast aluminum powder coated housing.

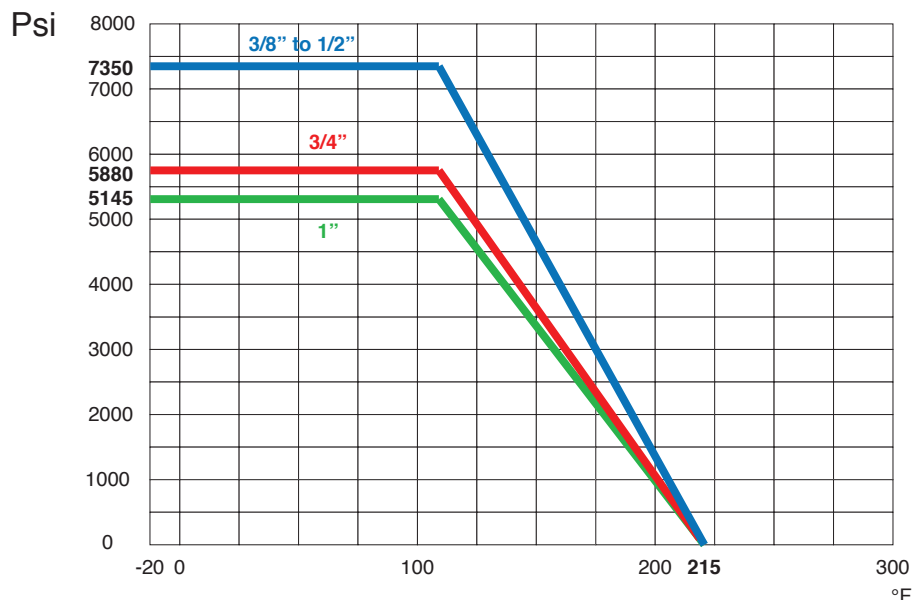
ACTUATOR FEATURES

- Dual Voltages
- 24V AC/DC and 100-240V AC Models Available
- ISO 5211, F03/F05 base with 11mm female drive
- 75% Duty Cycle
- Anti-condensation heater, (when red wire is connected to power)
- High-Strength, Die Cast Aluminum Powder Coated Housing
- Temperature Range -4°F to 131°F
- NEMA 4 Housing

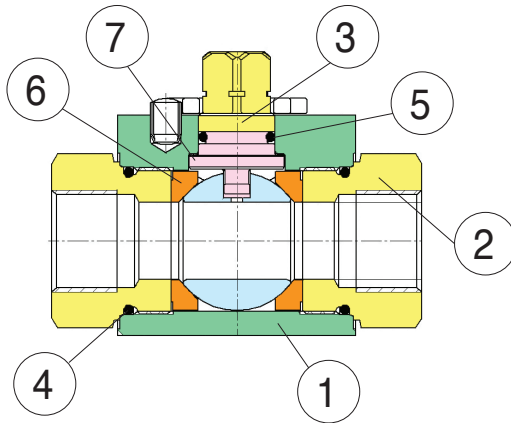
VALVE FEATURES

- Carbon Steel Full Port Ball Valve
- Available in NPT and SAE
- Full port, sizes 3/8" to 1"
- Blow out proof stem
- Pressure rating 7350 psi (3/8" to 1/2"), 5880 psi (3/4"), 5145 psi (1")
- Temperature range -20°F to 215°F

PRESSURE - TEMPERATURE CHART FOR SERIES 3200/3300

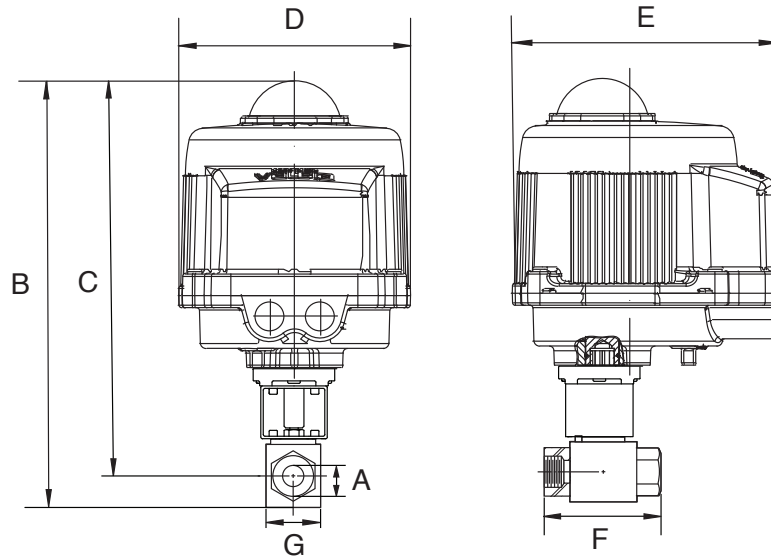


BILL OF MATERIALS FOR 3200/3300



N POS	PART NAME	MATERIAL	N PCS
1	BODY	OXIDE COATED CARBON STEEL	1
2	END FITTING	OXIDE COATED CARBON STEEL	2
3	STEM	COATED STEEL	1
4	O-RING	VITON®	1
5	STEM SEAL	VITON®	2
6	BALL SEAT	DELTRIN	2
7	THRUST WASHER	DELTRIN	1

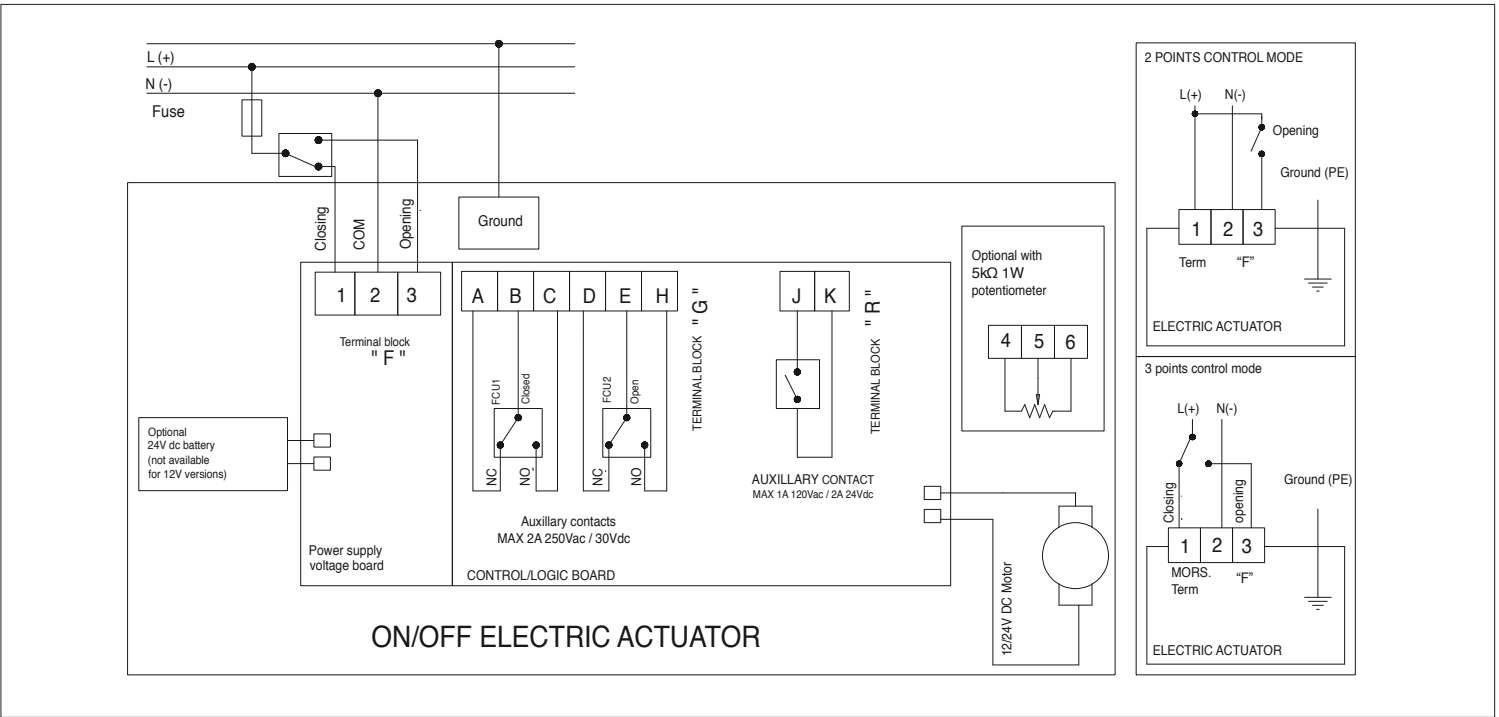
DIMENSIONS



Size	3/8" NPT 9/16-18 SAE	1/2" NPT 3/4-16 SAE	3/4" NPT 1-1/16-12 SAE	1" NPT 1-5/16-12 SAE
A	0.39	0.51	0.79	0.94
B	11.96	12.11	13.67	14.91
C	10.16	10.23	10.98	12.08
D	6.34	6.34	6.34	6.93
E	7.36	7.36	7.36	7.76
F	2.87	3.62	3.82	4.45
G	1.26	1.38	1.93	2.36
Act.	VB030M	VB030M	VB030M	VB060M

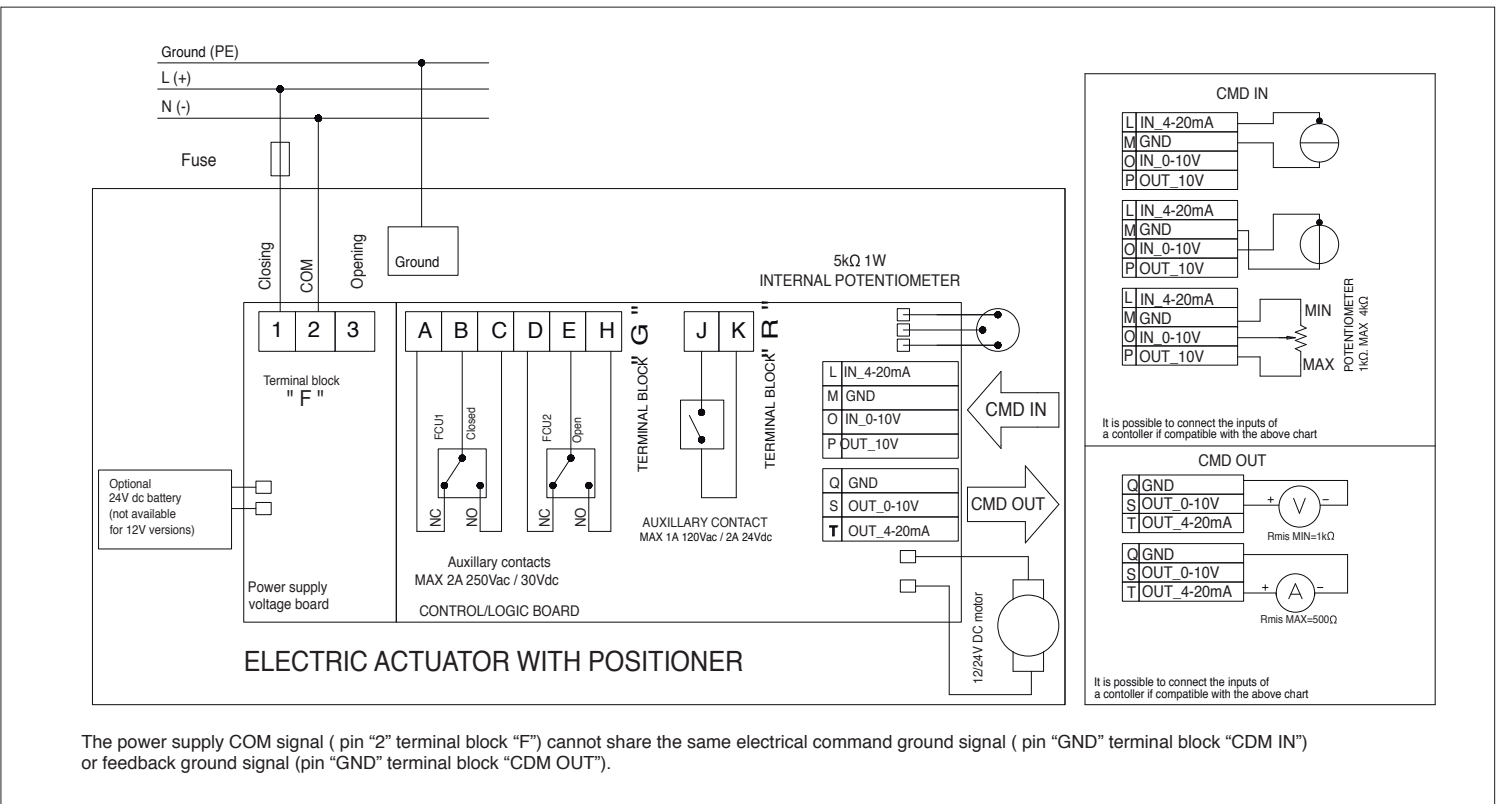
ON/OFF WIRING DIAGRAM - VB030M -VB060M

12V AC/DC, 24V AC/DC & 100-240VAC



POSITIONER WIRING DIAGRAM - VB030M -VB060M

12V AC/DC, 24V AC/DC & 100-240VAC



The power supply COM signal (pin "2" terminal block "F") cannot share the same electrical command ground signal (pin "GND" terminal block "CDM IN") or feedback ground signal (pin "GND" terminal block "CDM OUT").