



SERIES N500N - N500S

NYLON 11 COATED DISC CF8M SS DISC



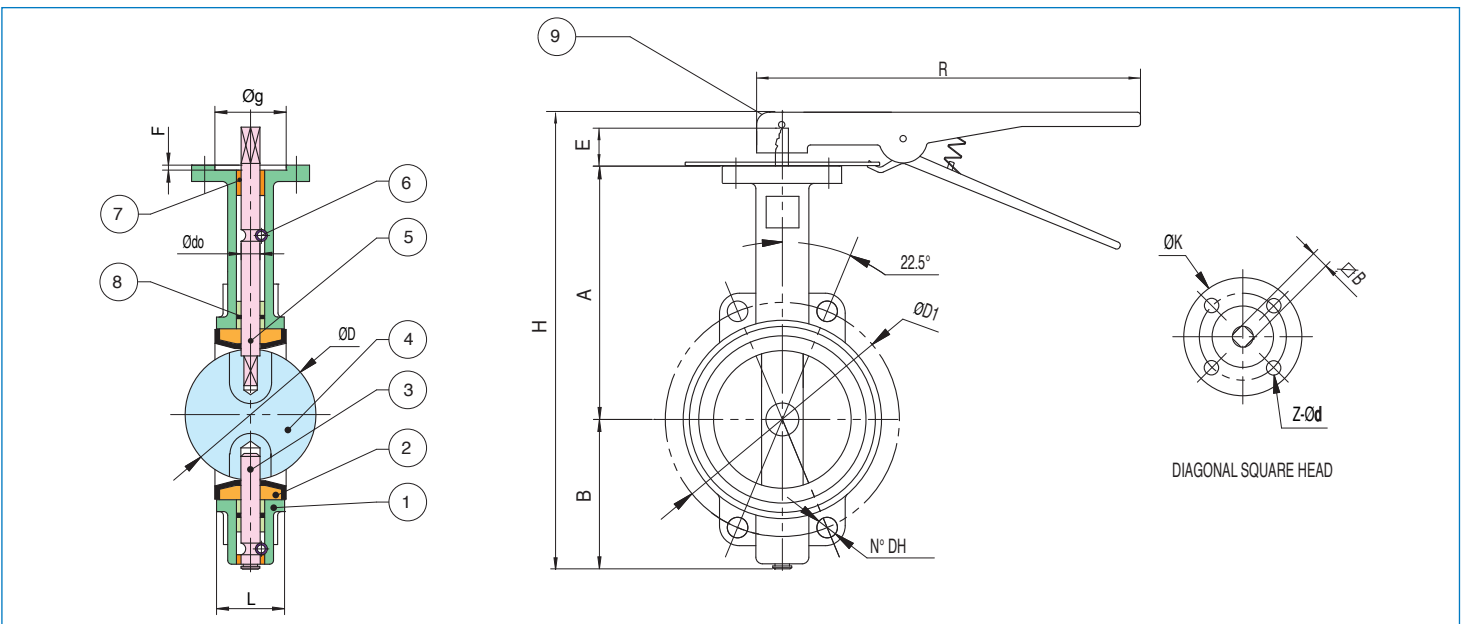
NSF/ANSI
61, 372

Manually operated Wafer butterfly valves.

- Epoxy coated cast iron wafer body.
- Sizes 1 1/2" to 12".
- ISO 5211 direct mounting pad/square stem.
- Food grade EPDM resilient seat -30°F to 250°F.
- API609 face to face flange.
- Floating dual shaft disc design.
- Pressure rating: 250 psi water (40°F to 80° F).
- MSS SP 67 compliant.
- No pins in disc prevent potential leak points.
- NSF certified for drinking water service (EPDM seats only).

530S: VITON SEATS.

540N-540S: BUNA-N SEATS.



N POS	PART NAME	MATERIAL	N POS
1	BODY	CAST IRON	1
2	SEAT	EPDM (30F to 250F)	1
3	LOWER SHAFT	SS 416	1
4	DISC 500N	IRON NYLON 11	1
	DISC 500S	STAINLESS STEEL	
5	UPPER SHAFT	SS 416	1
6	LOCATING PIN	CARBON STEEL	1
7	BUSHING	P.T.F.E.	1
8	O-RING	EPDM	1
9	LEVER	EPOXY-COATED CARBON STEEL	1

SIZE	ISO 5211	Z/B	A	B	L	ØD	E	H	R	Ødo	UPPER FLANGE				DISC ØD1	WAFER N°-DH	Weight Lbs	SEAT TORQUE				Cv (GPM@ 1psi)
											ØK	Z-d	Øg	F				100 psi	200 psi	50% OP	100% OP	
1 1/2"	F05	9 mm	5.71	2.97	1.61	1.67	0.47	12.95	10.63	0.50	3.03	4-0.28	1.38	0.12	4.74	4-0.75	5.0	111	133	35	108	
2"	F05	9 mm	6.34	3.15	1.65	2.07	0.47	13.94	10.63	0.50	3.03	4-0.28	1.38	0.12	4.74	4-0.75	5.5	126	146	49	146	
2 1/2"	F05	9 mm	6.89	3.50	1.76	2.54	0.47	15.04	10.63	0.50	3.03	4-0.28	1.38	0.12	5.49	4-0.75	7.1	134	167	84	284	
3"	F05	9 mm	7.13	3.74	1.78	3.10	0.47	15.51	10.63	0.50	3.03	4-0.28	1.38	0.12	6.00	4-0.75	8.4	205	223	128	547	
4"	F07	11 mm	7.87	4.49	2.05	4.09	0.63	17	10.63	0.62	3.54	4-0.35	2.17	0.12	7.50	4-0.75	10.8	339	386	195	844	
5"	F07	14 mm	8.34	5.00	2.14	4.85	0.75	17.94	10.63	0.75	3.54	4-0.35	2.17	0.12	8.50	4-0.87	15.4	523	602	320	1375	
6"	F07	14 mm	8.90	5.47	2.20	6.13	0.75	19.06	10.63	0.75	3.54	4-0.35	2.17	0.12	9.50	4-0.87	17.2	677	996	418	1882	
8"	F10	17 mm	10.24	6.89	2.34	7.97	0.75	22.25	14.17	0.87	4.92	4-0.47	2.76	0.14	11.75	4-0.87	29.1	1205	1864	745	3340	
10"*	F10	22 mm	11.50	7.99	2.58	9.86	0.94	24.77	19.68	1.12	4.92	4-0.47	2.76	1.40	14.25	4-1.00	42.2	1890	3140	1264	5475	
12"*	F10	22 mm	13.27	9.53	3.03	11.87	0.94	28.31	19.68	1.24	5.51	4-0.47	2.76	1.40	17.00	4-1.00	71.5	2808	4767	1905	8270	

* 10" and 12" available in bare stem version only.

WARNING: This product can expose you to chemicals including lead, which is known to the State of California to cause cancer and birth defects or other reproductive harm. For more information go to www.p65warnings.ca.gov.

