

SERIES NMR3 3-WAY EXPLOSION PROOF

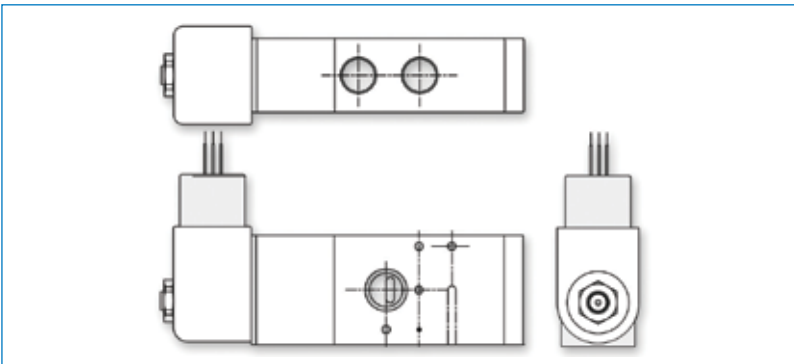
3-way single solenoid namur.

- Cv=1.68.
- Ports 1/4" NPT.
- Duty cycle 100% continuous.
- Power consumption 2.5 watts.
- Pressure range 20 to 120 PSIG.
- Temperature range 35°F - 130°F (normal) 0°F - 130°F (with dry media).

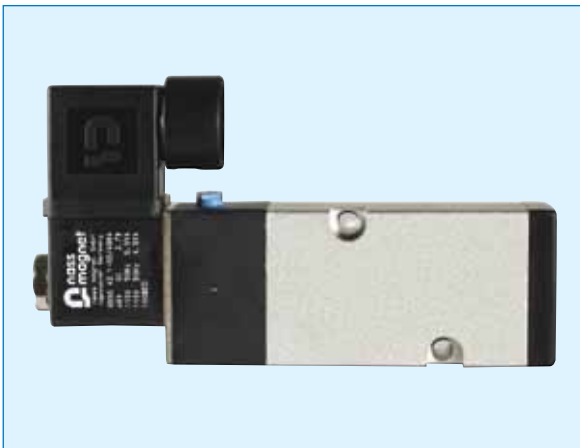


Approved for Hazardous Locations

NEMA 4 - 4X, 7, 9
CL.I; Zone1, Ex mII T4; AEx mII
CL.I.; Div.1; GR. A,B,C,D
CL.II; GR. E,F,G - CL.III
T4 Ta= -20° c...+60°c
100% Duty cycle



MODEL	VOLTAGE	INRUSH
NMR3-EX1	110 VAC	74 mA
NMR3-EX2	24 VDC	190 mA
NMR3-EX12	12 VDC	372 mA
NMR3-EX22	24 VAC	36 mA



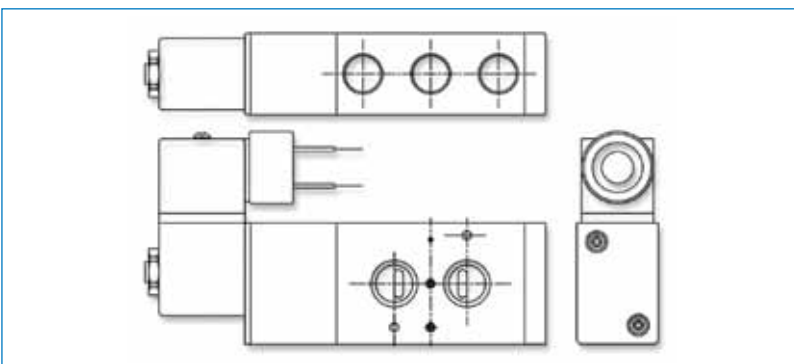
SERIES NMR1 4-WAY CONDUIT

4-way single solenoid namur.

- Cv=1.68.
- Ports 1/4" NPT.
- Duty cycle 100% continuous.
- Power consumption 2.5 watts.
- Pressure range 20 to 120 PSIG.
- Temperature range 35°F - 130°F (normal) 0°F - 130°F (with dry media).

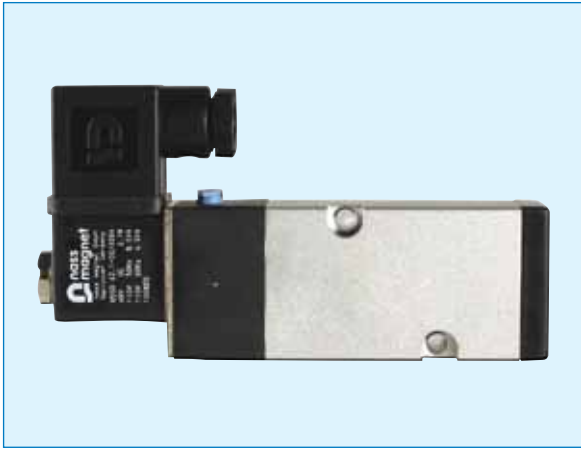


NEMA 4 - 4X



MODEL	VOLTAGE	INRUSH
NMR1-C1	110 VAC	62 mA
NMR1-C2	24 VDC	108 mA
NMR1-C12	12 VDC	204 mA
NMR1-C22	220 VAC	31 mA
NMR1-C24	24 VAC	See*

* Consult factory.



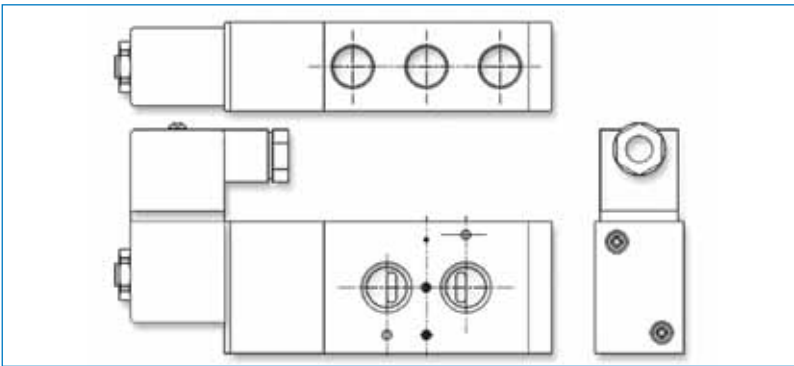
SERIES NMR1 4-WAY DIN

4-way single solenoid namur.

- Cv=1.68.
- Ports 1/4" NPT.
- Duty cycle 100% continuous.
- Power consumption 2.5 watts.
- Pressure range 20 to 120 PSIG.
- Temperature range 35°F - 130°F (normal) 0°F - 130°F (with dry media).

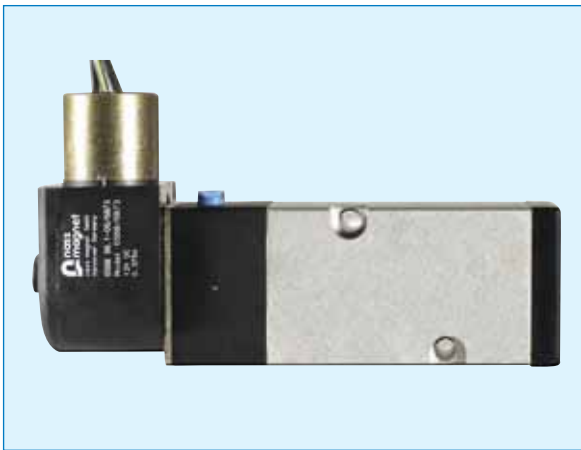


NEMA 4 - 4X



MODEL	VOLTAGE	INRUSH
NMR1-D1	110 VAC	62 mA
NMR1-D2	24 VDC	108 mA
NMR1-D12	12 VDC	204 mA
NMR1-D22	220 VAC	31 mA
NMR1-D24	24 VAC	See*

* Consult factory



SERIES NMR1 4-WAY EXPLOSION PROOF

4-way single solenoid namur.

- Cv=1.68.
- Ports 1/4" NPT.
- Duty cycle 100% continuous.
- Power consumption 2.5 watts.
- Pressure range 20 to 120 PSIG.
- Temperature range 35°F - 130°F (normal) 0°F - 130°F (with dry media).



Approved for Hazardous Locations

NEMA 4 - 4x,7,9

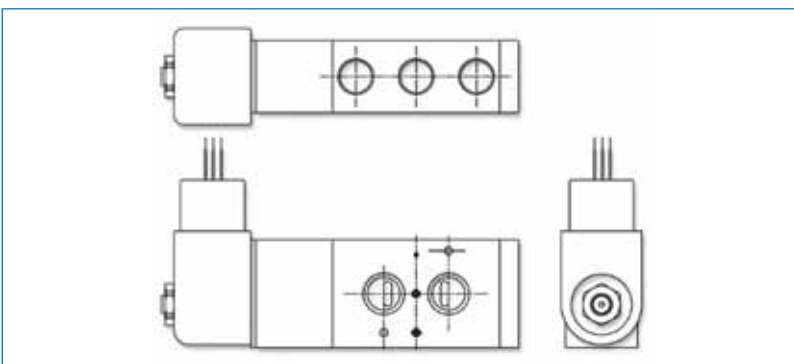
CL.I. Zone1, Ex mII T4; AEx mII

CL.I.; Div.1; GR. A,B,C,D

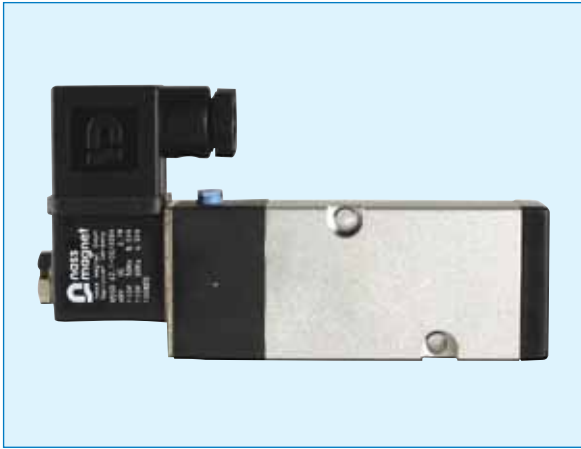
CL.II; GR. E,F,G - CL.III

T4 Ta= -20° c...+60°c

100% Duty cycle



MODEL	VOLTAGE	INRUSH
NMR1-EX1	110 VAC	74 mA
NMR1-EX2	24 VDC	190 mA
NMR1-EX12	12 VDC	372 mA
NMR1-EX22	220 VAC	36mA



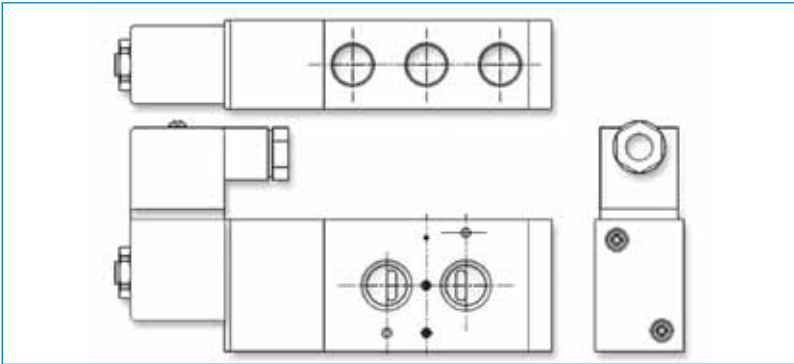
SERIES NMR1 4-WAY DIN

4-way single solenoid namur.

- Cv=1.68.
- Ports 1/4" NPT.
- Duty cycle 100% continuous.
- Power consumption 2.5 watts.
- Pressure range 20 to 120 PSIG.
- Temperature range 35°F - 130°F (normal) 0°F - 130°F (with dry media).

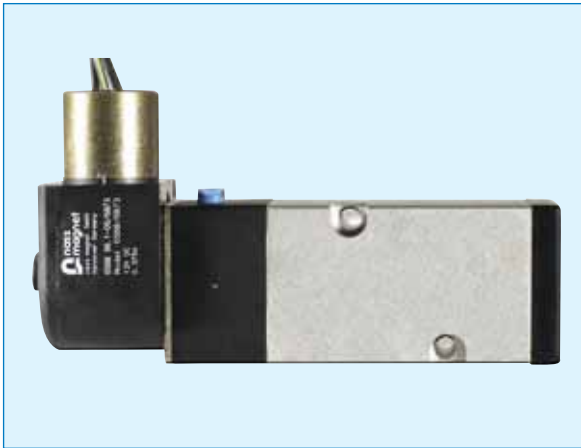


NEMA 4 - 4X



MODEL	VOLTAGE	INRUSH
NMR1-D1	110 VAC	62 mA
NMR1-D2	24 VDC	108 mA
NMR1-D12	12 VDC	204 mA
NMR1-D22	220 VAC	31 mA
NMR1-D24	24 VAC	See*

* Consult factory



SERIES NMR1 4-WAY EXPLOSION PROOF

4-way single solenoid namur.

- Cv=1.68.
- Ports 1/4" NPT.
- Duty cycle 100% continuous.
- Power consumption 2.5 watts.
- Pressure range 20 to 120 PSIG.
- Temperature range 35°F - 130°F (normal) 0°F - 130°F (with dry media).



Approved for Hazardous Locations

NEMA 4 - 4x,7,9

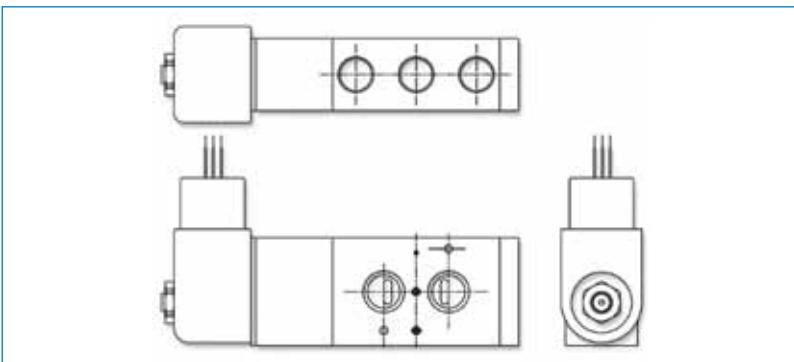
CL.I. Zone1, Ex mII T4; AEx mII

CL.I.; Div.1; GR. A,B,C,D

CL.II; GR. E,F,G - CL.III

T4 Ta= -20° c...+60°c

100% Duty cycle



MODEL	VOLTAGE	INRUSH
NMR1-EX1	110 VAC	74 mA
NMR1-EX2	24 VDC	190 mA
NMR1-EX12	12 VDC	372 mA
NMR1-EX22	220 VAC	36mA