

- 1/2" NPT
- Stainless Steel Body
- 2-Way Piloted Piston
- Normally Closed

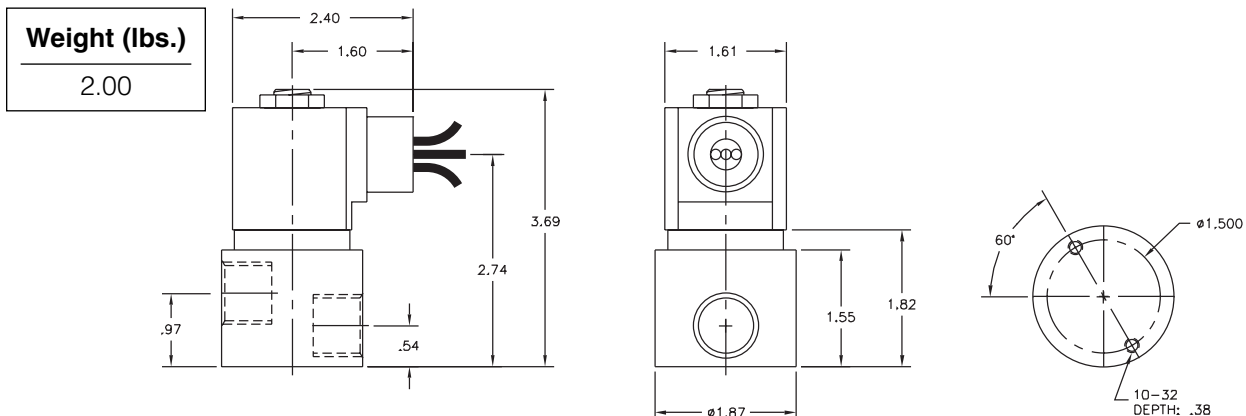


Materials	Seals:	Nitrile, Viton®, Teflon®, Ethylene Propylene
	Orifice: Pilot Main	Stainless Steel Stainless Steel Ø 3/8"
Electrical	Standard Housing:	Encapsulated Waterproof Conduit (NEMA 4/4X)
	Optional Housings:	Metallic Conduit, Explosion-proof (NEMA 7), Grommet, Open Frame, Junction Box (single or dual knockouts), DIN; Contact GC Valves Customer Service for others.
	Standard Voltages:	24, 120, 240 AC 60 Hz; 50 Hz available 6, 12, 24 DC; Contact GC Valves Customer Service for Additional Voltages.
	Voltage Tolerance:	±10% of applicable voltage
	Coil Classes:	F, H, N
	Standard Lead Length:	24 inch
Operating Temperature	Ambient (Nominal):	32°F to 125°F
Mounting	Position:	Any
Approvals*	Agency:	UL Safety Shutoff, UL Listed, UL Recognized, CSA Approved, FM Certified

\* Not available for all variations

© Registered Trademark of DuPont Co.

## Dimensions/Weight



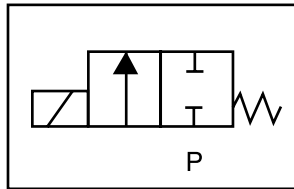
GC Valves Customer Service: 800-828-0484 (7:30am to 4pm ET) or 800-582-4232 (7:30am to 4pm PT)



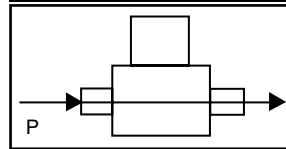
# S401 – 1/2" NPT, Stainless Steel Body, Normally Closed

## Valve Selection List

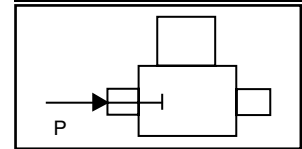
Normally Closed



Energized



De-Energized



Pipe Size NPT	Orifice Size IN	C <sub>v</sub>	Operating Pressure Differential (psi)								Max Fluid Temp. °F	Seal Material	Power Consumption (Watts)		Model Code ( 120V/60HZ — 110V/50HZ Shown )	
			Minimum				Maximum						AC	DC		
			AC	DC	AC	DC	#5 and #6 Heated Fuel Oil	AC	DC	AC					DC	
1/2	3/8	1.5	0	300	150	300	150	—	—	—	—	295	EPR	10	10	S401GF02C1DF5
	3/8	1.5	0	300	150	300	150	300	150	—	—	180	Nitrile	10	10	S401GF02N1DF5
	3/8	1.5	0	300	150	300	150	300	150	—	—	230	Viton	10	10	S401GF02V1DF5
	3/8	1.5	0	300	150	300	150	300	150	—	—	366	Teflon	10	10	S401GF02T1DF5
	3/8	1.5	0	—	—	—	—	—	—	50*	50*	295	EPR**	10	10	S401GH02E1DF5
	3/8	1.5	0	—	—	—	—	—	—	150*	150*	366	Teflon**	10	9	S401GH02S1DF5

\* Class H Coil Recommended for Steam and Other High Temperature Applications

## Part Numbering

1	2	3	4	5	6	7	8	9	10	11	12	13
<b>S</b>	<b>4</b>	<b>0</b>	<b>1</b>	<b>G</b>	<b>F</b>	<b>0</b>	<b>2</b>	<b>C</b>	<b>1</b>	<b>D</b>	<b>F</b>	<b>5</b>
Series			Operating Mode	Housing*	Coil Class*	Voltage*		Seal Material	Body Material	Pipe Connection	Orifice Size	
S40			1: Normally Closed	G: Conduit	F: Class F H: Class H	02: 120/60 110/50		C: EPR N: Nitrile V: Viton T: Teflon E: EPR** S: Teflon**	1: Stainless Steel	D: 1/2" NPT	F5: 3/8"	

\* See the "Engineering Guide" for additional voltages, variations and options.

\*\*For Steam Service

## Coil Data

Coil Family	
Type	Size
All	S4

Frequency (Hz)	60	50
Nominal Power (VA)	Inrush	46
	Holding	21

GC Valves Customer Service: 800-828-0484 (7:30am to 4pm ET) or 800-582-4232 (7:30am to 4pm PT)