

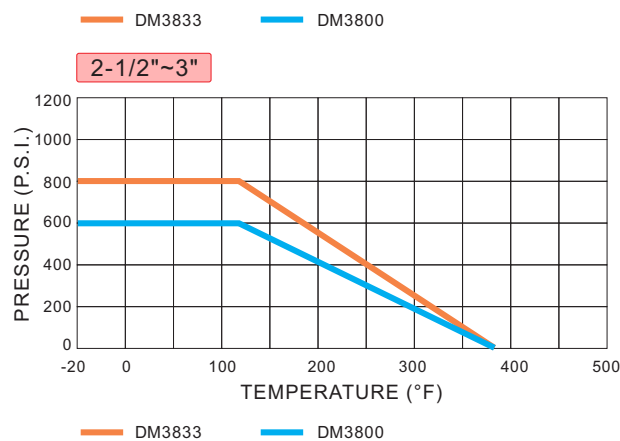
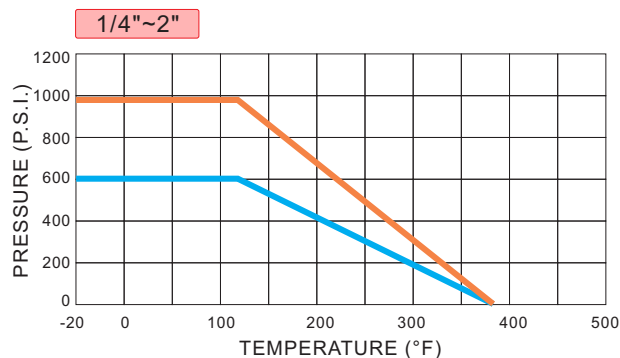
FEATURES & BENEFITS

- * Body & end caps quality investment casting
- * with ISO 5211 direct mounting pad
- * Adjustable stem packing
- * Available in 304SS (DM3800) and 316SS (DM3833)
- * Blow-out proof stem design
- * 100% air tested under water at 80-100 psi
- * Working pressure: DM3833 - 1000 / 800 psi
DM3800 - 600 psi
- * Temperature range -20°F to 450°F
- * Standard with locking device
- * End type: threaded

OPTIONS

- * Spring return (dead man) handle
- * Oval handle
- * Automation application

PRESSURE/ TEMPERATURE



Please visit www.jflowcontrols.com and use our "Configurator" for complete part numbers

FLOW COEFFICIENT

SIZE	Cv FACTOR
1/4"	7.5
3/8"	16
1/2"	40
1"	70
1-1/4"	110
1-1/2"	240
2"	400
2-1/2"	700
3"	980

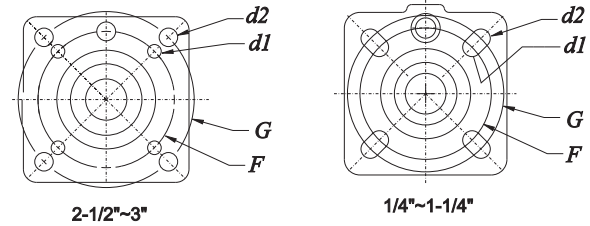
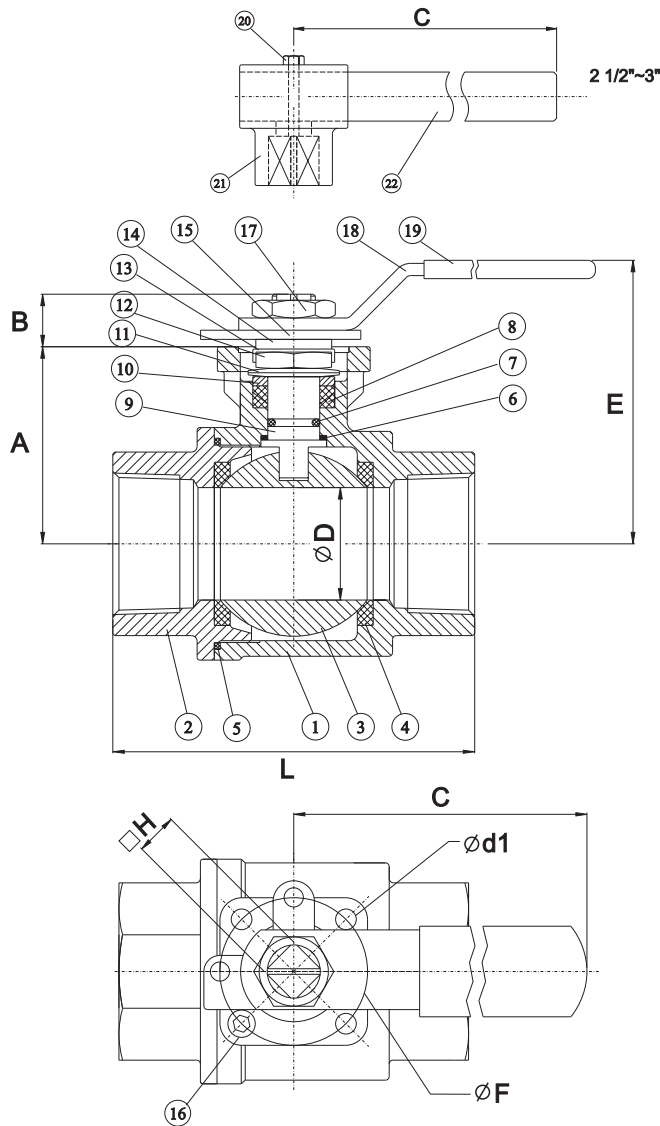
BREAK-TORQUE VALUE (in lb/ at 0 psi)

SIZE	1/4"	3/8"	1/2"	3/4"	1"	1 1/4"	1 1/2"	2"	2-1/2"	3"
GREASE	35	35	45	50	65	100	155	205	310	410
NON-GREASE	45	45	53	65	85	145	240	270	605	755

Note 1: The greases J Flow Controls uses include lubricants & anti-seize grease that are both SILICONE-FREE.

Note 2: J Flow Controls strongly suggests increasing the torque at least 30%-40% for safety factor when mounting an actuator.

DM3833 DIMENSIONAL DRAWING



MATERIALS LIST

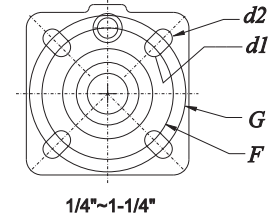
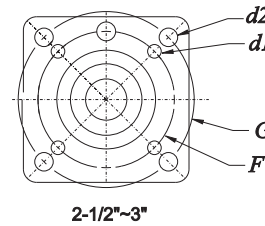
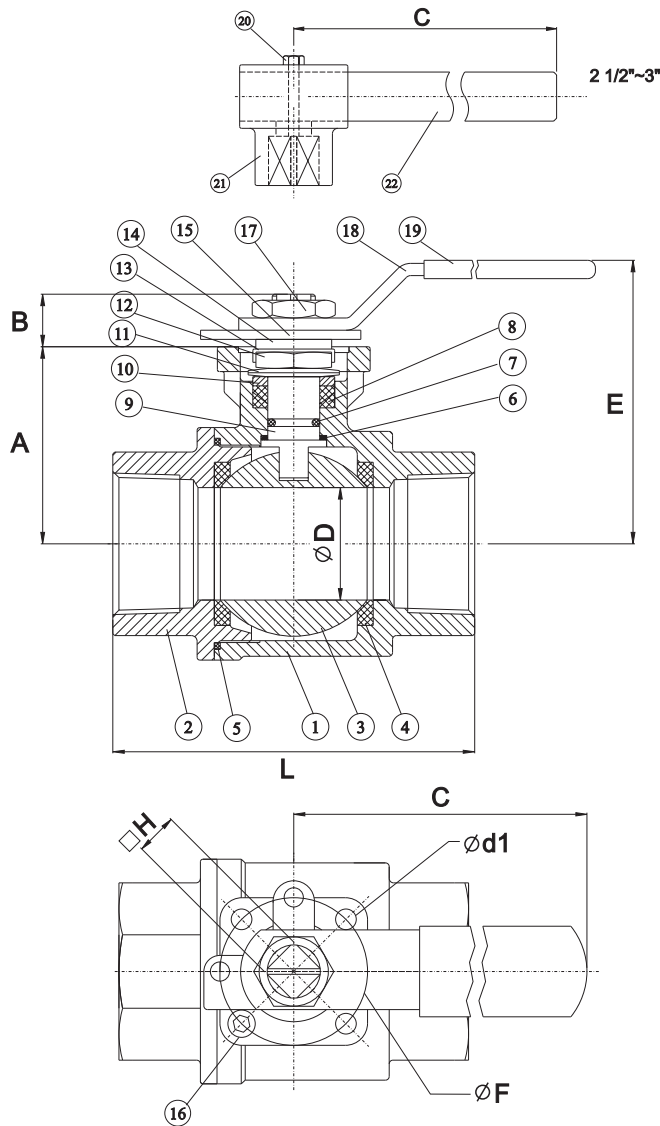
ITEM	PART NAME	MATERIALS
1	BODY	CF8M
2	END CAP	CF8M
3	BALL	SS 316
4	SEAT	PTFE
5	GASKET	PTFE
6	THRUST WASHER	RPTFE
7	O-RING	VITON
8	STEM PACKING	PTFE
9	STEM	SS 316
10	GLAND	SS 304
11	DISK WAHSER	SS 301
12	STEM NUT	SS 304
13	NUT STOP	SS 304
14	SPACE WASHER	SS 304
15	PLATER	SS 304
16	STOP PIN	SS 304
17	HANDLE NUT	SS 304
18	HANDLE	SS 304
19	SLEEVE	PLASTIC
20	SET BOLT	SS 304
21	LEVER HEAD	CF 8
22	LEVER	STEEL PIPE

DIMENSIONS (mm)

SIZE	A	B	C	D	d1	d2	E	F	G	H*	L
1/4"	37	9	130	11	6.0	6.0	66	36	42	9	56.5
3/8"	37	9	130	12.5	6.0	6.0	66	36	42	9	56.5
1/2"	37	9	130	15	6.0	6.0	66	36	42	9	59.0
3/4"	40	11	130	20	6.0	6.0	69	36	42	9	72.0
1"	48	14	160	25	6.0	7.0	80	42	50	11	79.5
1-1/4"	53.5	14	160	32	6.0	7.0	85	42	50	11	96.0
1-1/2"	63.5	18	205	38	7.0	-	98	50	-	14	104.5
2"	72	18	205	50	7.0	-	106	50	-	14	123.5
2-1/2"	92	22	320	63.5	9.0	11.3	140	70	102	17	160.0
3"	102	22	320	78	9.0	11.3	150	70	102	17	182.2

* Be aware that the stem dimension may be different between the DM3800 and DM3833

DM3800 DIMENSIONAL DRAWING



MATERIALS LIST

ITEM	PART NAME	MATERIALS
1	BODY	CF8M
2	END CAP	CF8M
3	BALL	SS 316
4	SEAT	PTFE
5	GASKET	PTFE
6	THRUST WASHER	RPTFE
7	O-RING	VITON
8	STEM PACKING	PTFE
9	STEM	SS 316
10	GLAND	SS 304
11	DISK WAHSER	SS 301
12	STEM NUT	SS 304
13	NUT STOP	SS 304
14	SPACE WASHER	SS 304
15	PLATER	SS 304
16	STOP PIN	SS 304
17	HANDLE NUT	SS 304
18	HANDLE	SS 304
19	SLEEVE	PLASTIC
20	SET BOLT	SS 304
21	LEVER HEAD	CF 8
22	LEVER	STEEL PIPE

DIMENSIONS (mm)

SIZE	A	B	C	D	d1	d2	E	F	G	H*	L
1/4"	37	9	130	11	6.0	6.0	66	36	42	9	56.5
3/8"	37	9	130	12.5	6.0	6.0	66	36	42	9	56.5
1/2"	37	9	130	15	6.0	6.0	66	36	42	9	59.0
3/4"	40	11	130	20	6.0	6.0	69	36	42	9	72.0
1"	48	14	160	25	6.0	7.0	80	42	50	9	79.5
1-1/4"	53.5	14	160	32	6.0	7.0	85	42	50	11	96.0
1-1/2"	63.5	18	205	38	7.0	-	98	50	-	11	104.5
2"	72	18	205	50	7.0	-	106	50	-	11	123.5
2-1/2"	92	22	320	63.5	9.0	11.3	140	70	102	17	160.0
3"	102	22	320	78	9.0	11.3	150	70	102	17	182.2

* Be aware that the stem dimension may be different between the DM3800 and DM3833