

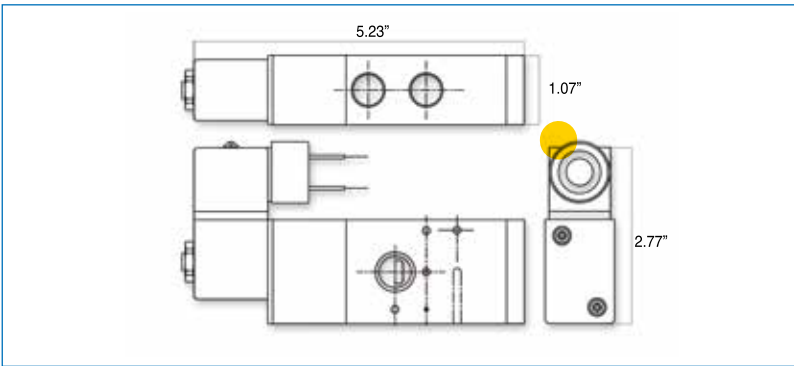
## SERIES NMR3 3-WAY CONDUIT

3-way single solenoid namur.

- Cv=1.68.
- Ports 1/2" NPT.
- Duty cycle 100% continuous.
- Power consumption 2.5 watts.
- Pressure range 20 to 120 PSIG.
- Temperature range 35°F - 130°F (normal) 0°F - 130°F (with dry media).

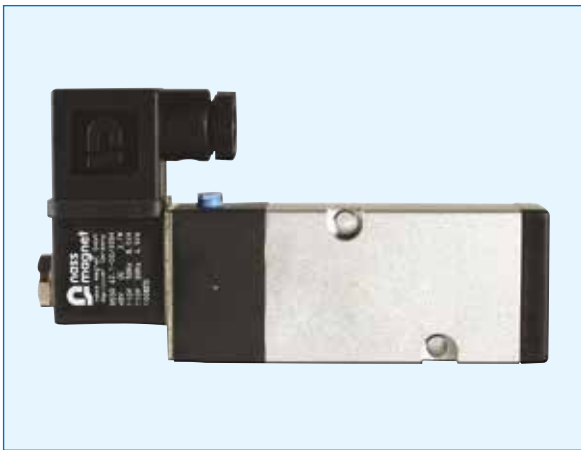


LR 51090  
MH 13513  
NEMA 4 - 4X



MODEL	VOLTAGE	INRUSH
NMR3-C1	110 VAC	62 mA
NMR3-C2	24 VDC	105 mA
NMR3-C12	12 VDC	204 mA
NMR3-C22	220 VAC	31 mA
NMR3-C24	24 VAC	See*

\* Consult factory.



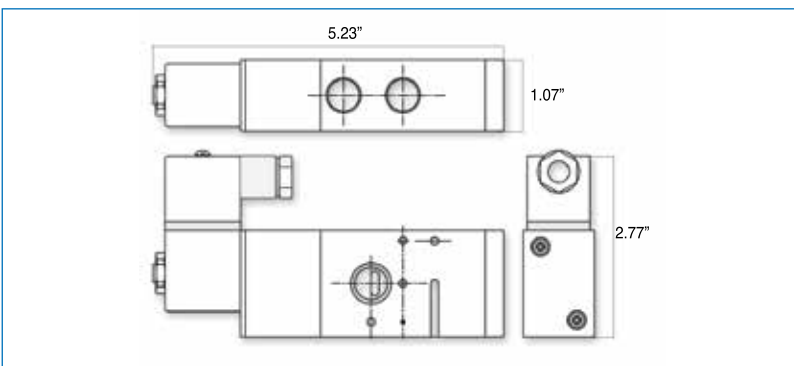
## SERIES NMR3 3-WAY DIN

3-way single solenoid namur.

- Cv=1.68.
- Ports 1/4" NPT.
- Duty cycle 100% continuous.
- Power consumption 2.5 watts.
- Pressure range 20 to 120 PSIG.
- Temperature range 35°F - 130°F (normal) 0°F - 130°F (with dry media).



LR 51090  
MH 13513  
NEMA 4 - 4X



MODEL	VOLTAGE	INRUSH
NMR3-D1	110 VAC	62 mA
NMR3-D2	24 VDC	105 mA
NMR3-D12	12 VDC	204 mA
NMR3-D22	220 VAC	31 mA
NMR3-D24	24 VAC	See*

\* Consult factory.