



# Figure # 5049F

Brass Full Port Ball Valve

## Product Features

- 150# WSP / 600# WOG
- Forged Brass Body
- Full Port
- Adjustable Packing Nut
- Solder Ends
- Blow-Out Proof Stem
- MSS-SP-110

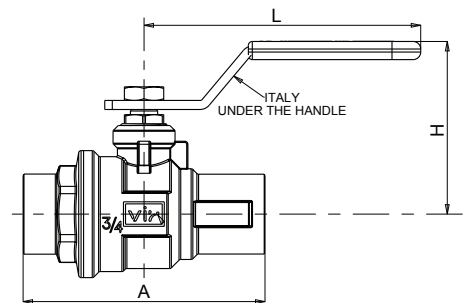
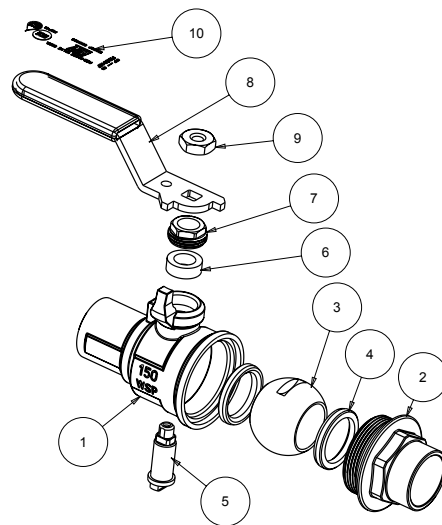


Pressure/Temperature Rating	
600 PSI from 15°F to 160°F	150 PSI MAX at 366°F

Connection Working Pressure				
Solder used in Joint	Working Temp (°F)	Max. Working Pressure (PSI)		
		3/8" - 1"	1-1/4" - 2"	2-1/2" - 4"
95-5 Tin Antimony (ASTM B32 grade 95TA)	100	500	400	300
	150	400	350	275
	200	300	250	200
	250	200	175	150

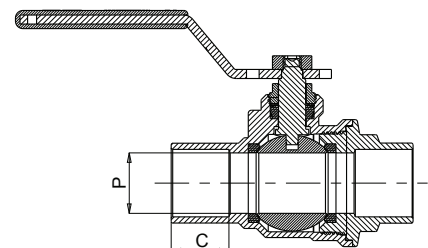
## Materials & Specifications

Item	Description	Material	Specification
1	Body	Brass	C37700
2	End piece	Brass	C37700
3	Ball	Brass/Cr Plated	C37700
4	Seat	PTFE	PTFE
5	Stem	Brass	C37700
6	Packing	Grahipte	F2168
7	Packing nut	Brass	C37700
8	Handle	Steel / Geomet Plated	A36
9	Handle nut	Steel / Zinc Plated	A36
10	Valve info	-	-



## Dimensions, Weights (inches-lbs.) & Valve Data

Size	3/8	1/2	3/4	1	1-1/4	1-1/2	2	2-1/2	3	4
A	1.89	2.60	3.15	3.31	3.86	4.53	5.51	6.65	7.72	9.34
C	0.51	0.51	0.75	0.91	0.97	1.09	1.34	1.50	1.69	2.17
H	1.55	2.13	2.24	2.57	2.79	3.28	3.58	4.70	5.15	5.64
L	3.19	3.60	3.60	4.98	4.98	5.57	5.57	11.07	11.07	11.07
P	0.39	0.59	0.79	0.98	1.26	1.57	1.97	2.56	3.07	3.94
Cv	8	15	30	60	110	130	360	450	620	1200
Wt.	0.29	0.56	0.79	1.21	2.04	3.02	4.56	8.87	13.34	17.31



### RED-WHITE VALVE CORP.

20600 Regency Lane, Lake Forest, CA 92630

TEL: 949.859.1010 • FAX: 949.859.7200 • www.redwhitevalvecorp.com

(160408)